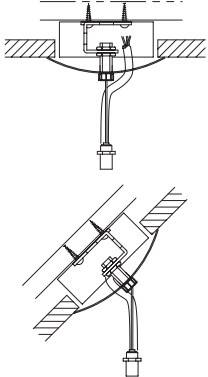
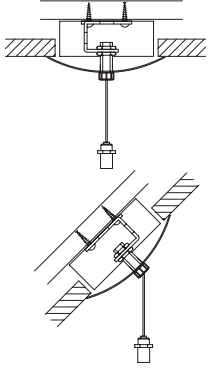
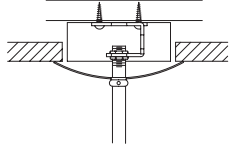
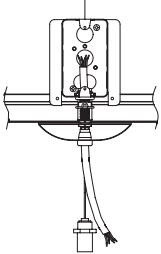
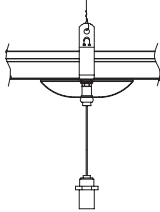
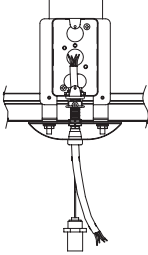
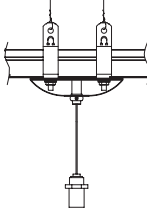

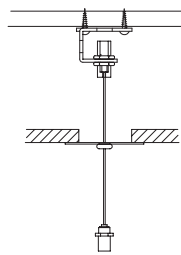
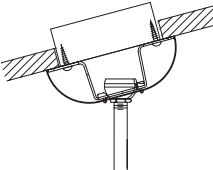
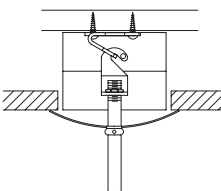


# Mounting Options

<p><b>Standard</b></p>	 <p>TO-M4-03 Aircraft Cable &amp; Cord</p>	 <p>TO-M4-01 Aircraft Cable</p>	 <p>TO-M1-01 Stem</p>	
<p><b>Optional - T-bar Mounting</b></p>	 <p>TO-M4-TB13 T-Bar, Aircraft Cable &amp; Cord</p>	 <p>TO-M4-TB23 T-Bar &amp; Aircraft Cable</p>		
	 <p>TO-M4-TB14 T-Bar, Aircraft Cable &amp; Cord (Heavy Duty)</p>	 <p>TO-M4-TB24 T-Bar &amp; Aircraft Cable (Heavy Duty)</p>		
<p><b>Optional - Special Applications</b></p>	 <p>TO-M4-06 Aircraft Cable Surface Mount</p>	 <p>TO-M4-02 Aircraft Cable Thru Tile</p>	 <p>TO-M1-04 Stem &amp; Ball Aligner</p>	 <p>TO-M1-03 Stem &amp; Hang Straight</p>

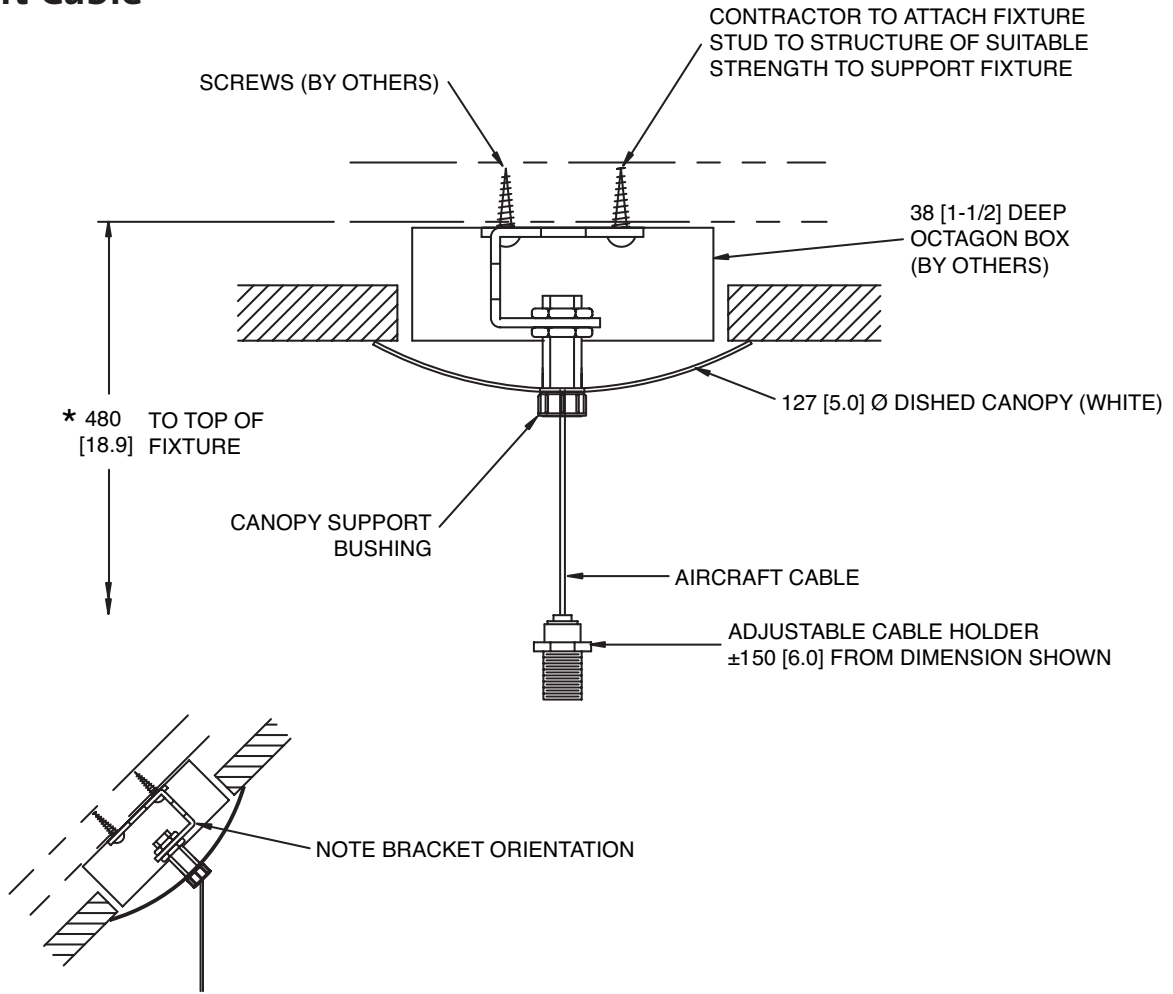


Mounting Options

STANDARD

TO-M4-01

Aircraft Cable



SUITABLE FOR SLOPED CEILING APPLICATIONS

Site installation must comply with national and local building and electrical codes.

Notes

Standard aircraft cable mounting detail.  
 Suitable for T-Bar and plaster ceiling applications.  
 Junction box must be flush to ceiling.

Mounting height

\* Standard mounting height as shown above.  
 If a different height is required please indicate below

special height \_\_\_\_\_

All dimensions are nominal and subject to tolerances. We reserve the right to make changes that will not alter installed appearance, function, or performance. These designs remain the property of Metalumen. We reserve the exclusive right to reproduce them and to manufacture the items illustrated herein. Some combinations may not be available, consult factory. Metalumen™ is a registered trade mark. © 2006 Metalumen Manufacturing Inc.

Approvals

R2-05-06

**METALUMEN**

570 Southgate Drive, Guelph, Ontario N1G 4P6  
 Mailing Address: P.O. Box 1779, Guelph, Ontario N1H 6Z9  
 T: 800-621-6785 T: 519-822-4381 F: 519-822-4589

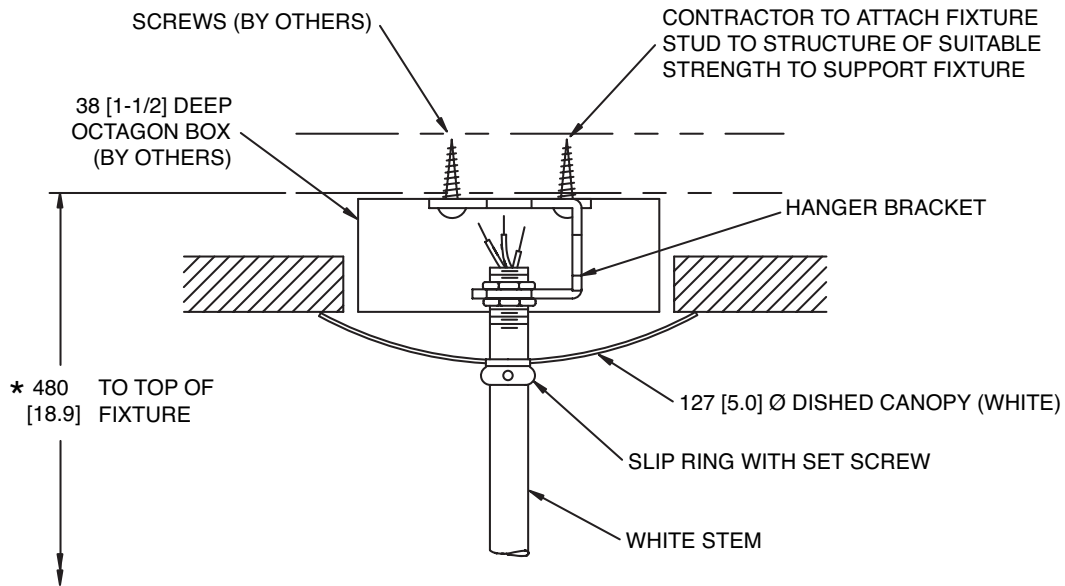
www.metalumen.com

Signature \_\_\_\_\_

Date \_\_\_\_\_

**Mounting Options**                      **STANDARD**                      **TO-M1-01**

**Stem**



Site installation must comply with national and local building and electrical codes.

**Notes**

Standard stem mounting detail.  
 Suitable for T-Bar and plaster ceiling applications.

**Mounting height**

\* Standard mounting height as shown above.  
 If a different height is required please indicate below

special height \_\_\_\_\_

All dimensions are nominal and subject to tolerances. We reserve the right to make changes that will not alter installed appearance, function, or performance. These designs remain the property of Metalumen. We reserve the exclusive right to reproduce them and to manufacture the items illustrated herein. Some combinations may not be available, consult factory. Metalumen™ is a registered trade mark. © 2006 Metalumen Manufacturing Inc.

**Approvals**

R2-05-06



570 Southgate Drive, Guelph, Ontario N1G 4P6  
 Mailing Address: P.O. Box 1779, Guelph, Ontario N1H 6Z9  
 T: 800-621-6785 T: 519-822-4381 F: 519-822-4589

[www.metalumen.com](http://www.metalumen.com)

Signature \_\_\_\_\_

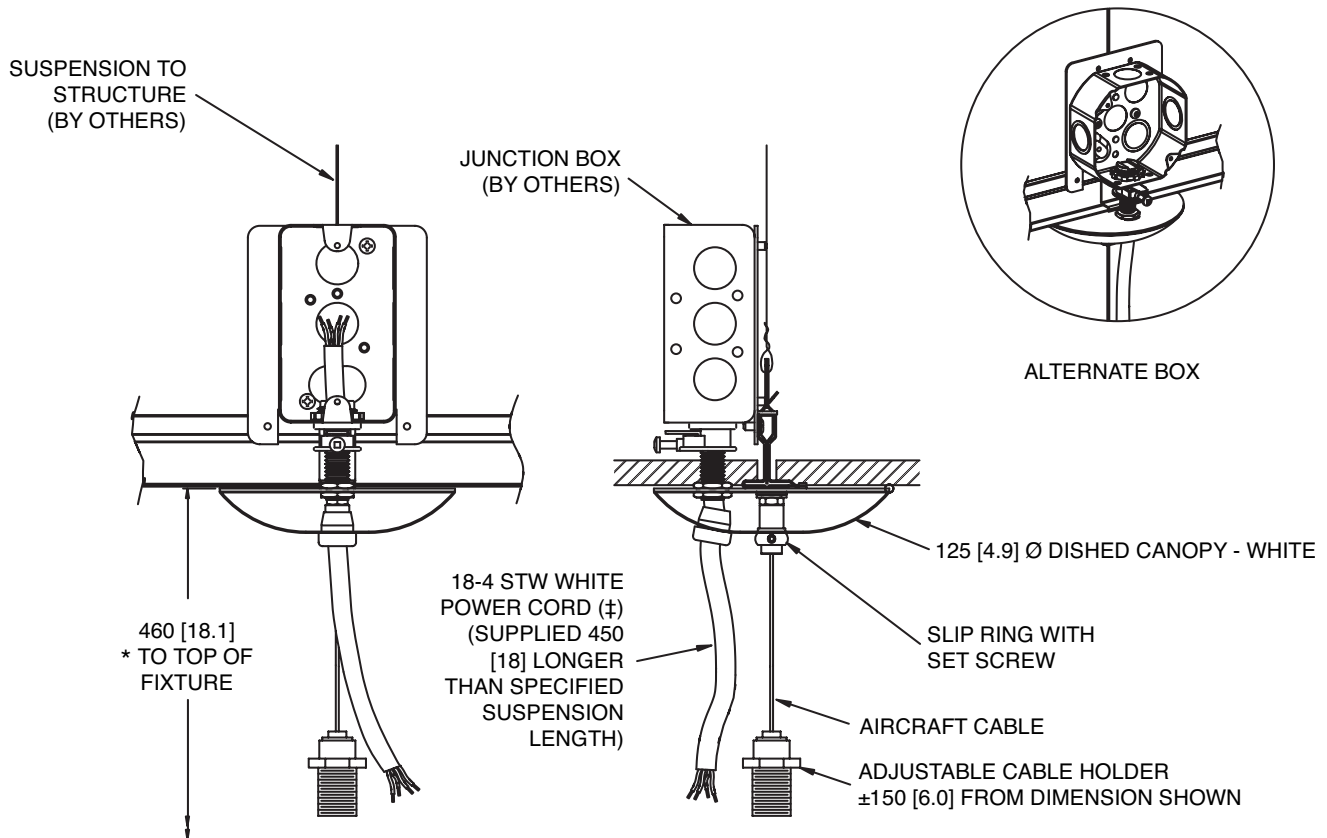
Date \_\_\_\_\_

Mounting Options

T-BAR MOUNTING

TO-M4-TB13

T-Bar, Aircraft Cable & Cord



Site installation must comply with national and local building and electrical codes.

**Notes**

Aircraft cable and power cord mounting detail for T-Bar ceiling applications. Fixture is ultimately supported to structure - not to T-Bar.  
 (‡) Some small profile series fixtures utilize 18-3 SVT for 120/277 volt.

**Mounting height**

\* Standard mounting height as shown above. If a different height is required please indicate below

special height \_\_\_\_\_

All dimensions are nominal and subject to tolerances. We reserve the right to make changes that will not alter installed appearance, function, or performance. These designs remain the property of Metalumen. We reserve the exclusive right to reproduce them and to manufacture the items illustrated herein. Some combinations may not be available, consult factory. Metalumen™ is a registered trade mark. © 2006 Metalumen Manufacturing Inc.

**Approvals**

R2-05-06

**METALUMEN**

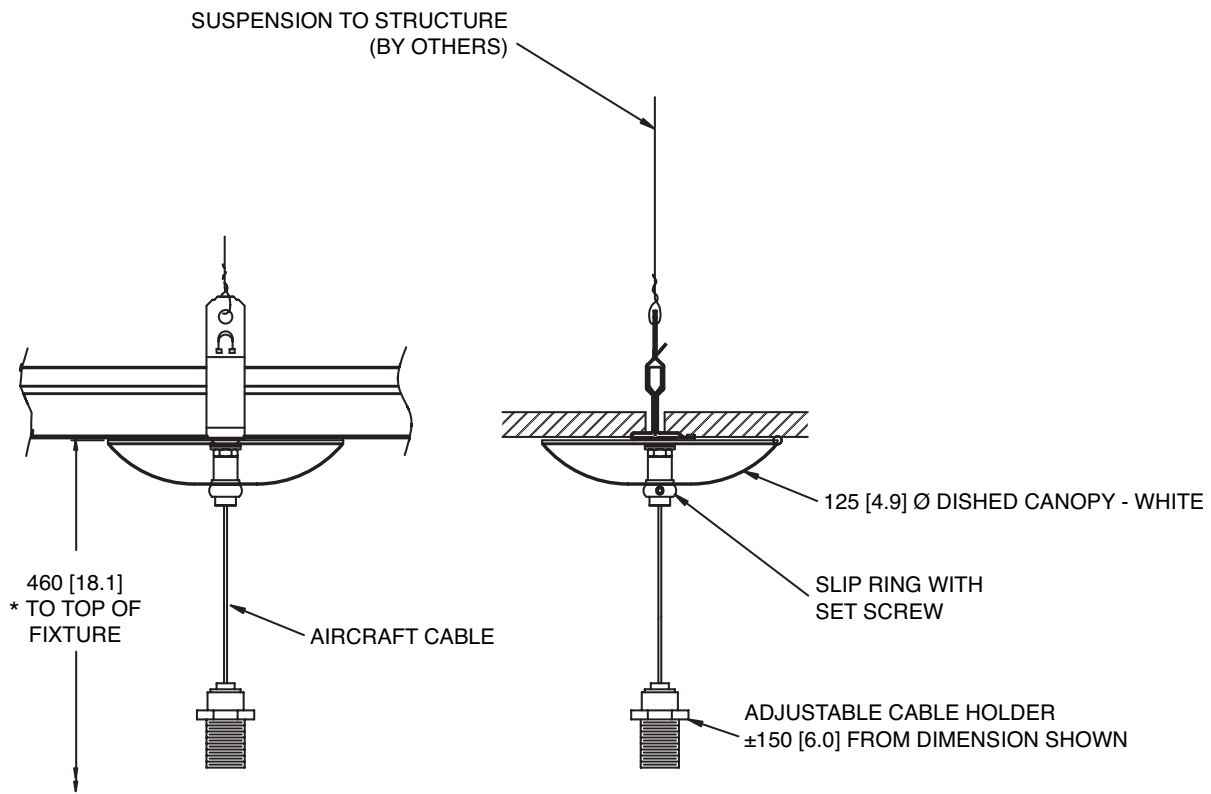
570 Southgate Drive, Guelph, Ontario N1G 4P6  
 Mailing Address: P.O. Box 1779, Guelph, Ontario N1H 6Z9  
 T: 800-621-6785 T: 519-822-4381 F: 519-822-4589

[www.metalumen.com](http://www.metalumen.com)

Signature \_\_\_\_\_

Date \_\_\_\_\_

T-Bar, Aircraft Cable



Site installation must comply with national and local building and electrical codes.

**Notes**

Aircraft cable mounting detail for T-Bar ceiling applications.  
 Fixture is ultimately supported to structure - not to T-Bar.

**Mounting height**

\* Standard mounting height as shown above.  
 If a different height is required please indicate below

special height \_\_\_\_\_

All dimensions are nominal and subject to tolerances. We reserve the right to make changes that will not alter installed appearance, function, or performance. These designs remain the property of Metalumen. We reserve the exclusive right to reproduce them and to manufacture the items illustrated herein. Some combinations may not be available, consult factory. Metalumen™ is a registered trade mark. © 2006 Metalumen Manufacturing Inc.

**Approvals**

R2-05-06

**METALUMEN**

570 Southgate Drive, Guelph, Ontario N1G 4P6  
 Mailing Address: P.O. Box 1779, Guelph, Ontario N1H 6Z9  
 T: 800-621-6785 T: 519-822-4381 F: 519-822-4589

[www.metalumen.com](http://www.metalumen.com)

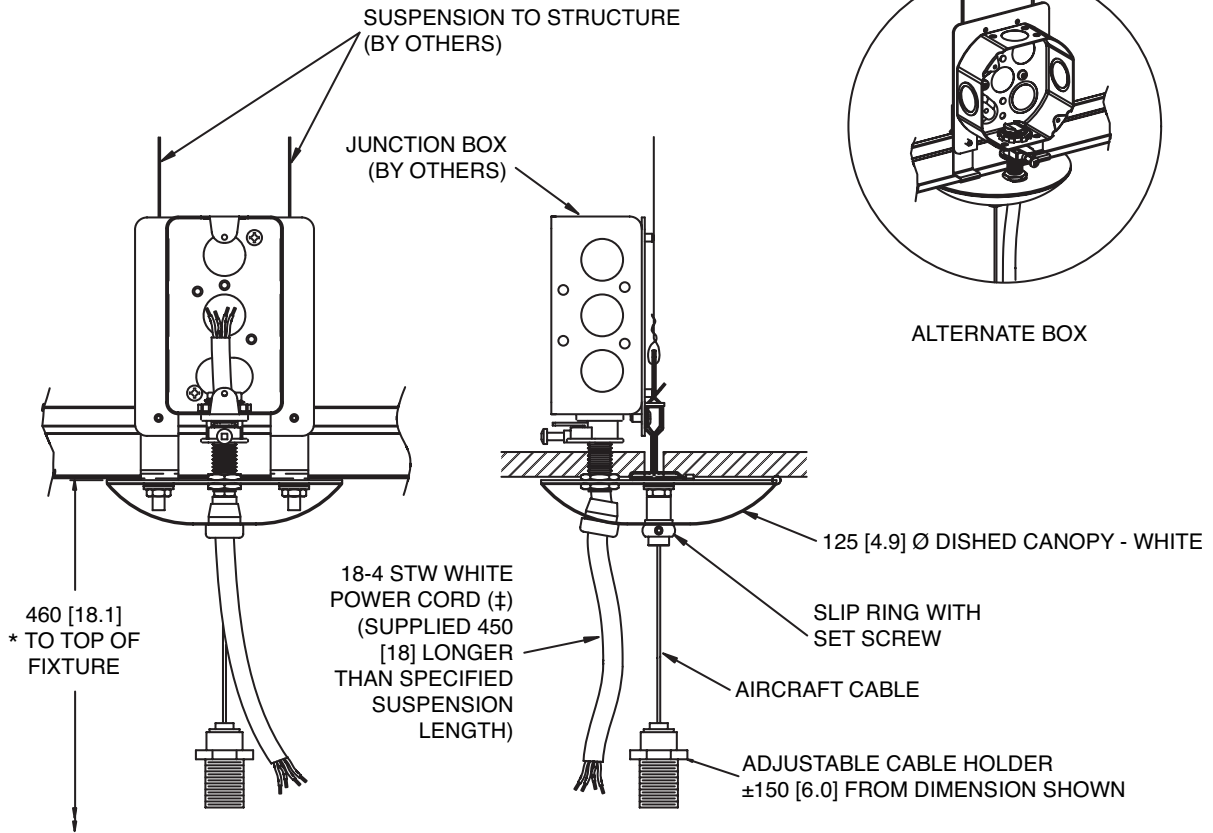
Signature \_\_\_\_\_

Date \_\_\_\_\_

Mounting Options T-BAR MOUNTING

TO-M4-TB14

T-Bar, Aircraft Cable & Cord (Heavy Duty)



**Notes**

Heavy duty aircraft cable and power cord mounting detail for T-Bar ceiling applications. Fixture is ultimately supported to structure - not to T-Bar.

(‡) Some small profile series fixtures utilize 18-3 SVT for 120/277 volt.

Heavy duty mounting is required for the following fixtures:

- |                                    |                           |
|------------------------------------|---------------------------|
| Manta C2C, C2S                     | Talum C7L                 |
| Orbit O2A, O2B, O2X, O2C, O2D, O2M | Stylus C6                 |
| Horizon O5J, O5P, O5S, O5T         | Armatura SD3              |
| Tempo O3A, O3S                     | Platin SD4, SD5, SD6, SD7 |
| Diamond D4E, D4F, D4S              |                           |

Site installation must comply with national and local building and electrical codes.

**Mounting height**

\* Standard mounting height as shown above.  
If a different height is required please indicate below

special height \_\_\_\_\_

All dimensions are nominal and subject to tolerances. We reserve the right to make changes that will not alter installed appearance, function, or performance. These designs remain the property of Metalumen. We reserve the exclusive right to reproduce them and to manufacture the items illustrated herein. Some combinations may not be available, consult factory. Metalumen™ is a registered trade mark. © 2006 Metalumen Manufacturing Inc.

**Approvals**

R2-05-06



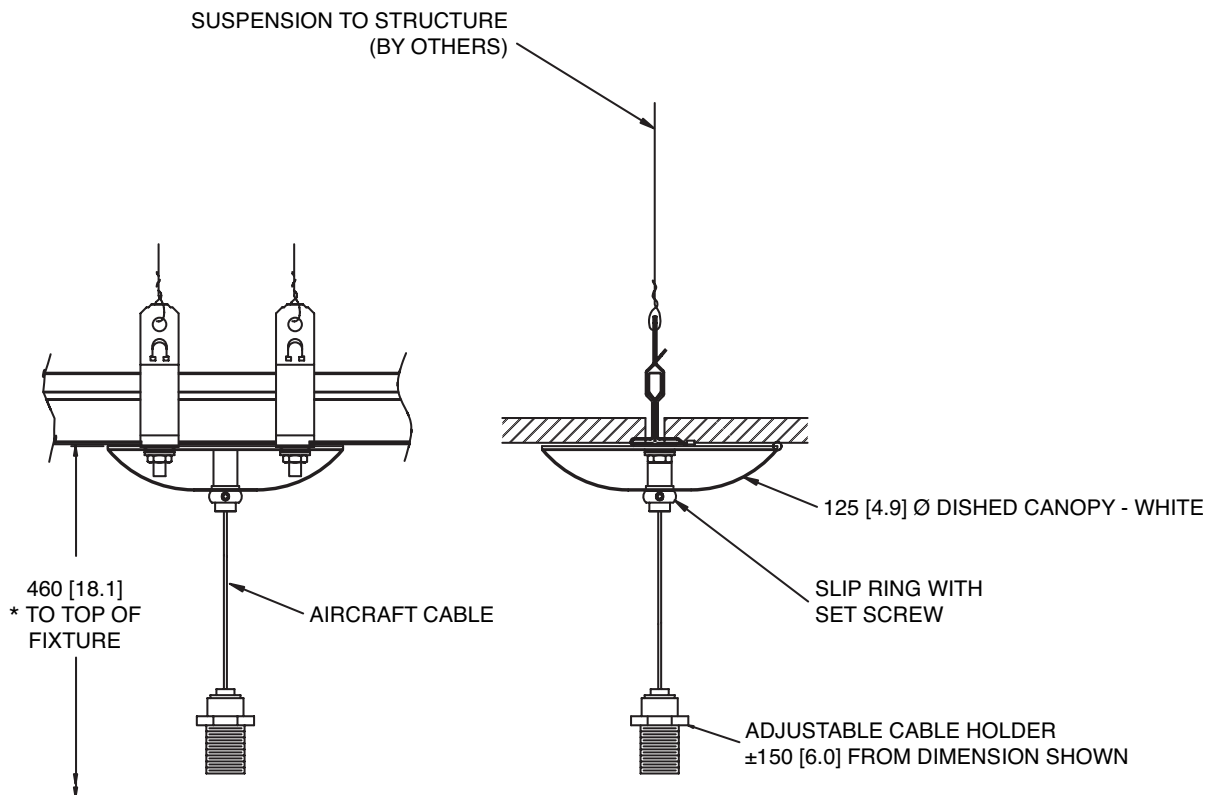
570 Southgate Drive, Guelph, Ontario N1G 4P6  
Mailing Address: P.O. Box 1779, Guelph, Ontario N1H 6Z9  
T: 800-621-6785 T: 519-822-4381 F: 519-822-4589

[www.metalumen.com](http://www.metalumen.com)

Signature \_\_\_\_\_

Date \_\_\_\_\_

T-Bar, Aircraft Cable (Heavy Duty)



**Notes**

Heavy duty aircraft cable mounting detail for T-Bar ceiling applications.

Fixture is ultimately supported to structure - not to T-Bar.

Heavy duty mounting is required for the following fixtures:

- |                                    |                           |
|------------------------------------|---------------------------|
| Manta C2C, C2S                     | Talum C7L                 |
| Orbit O2A, O2B, O2X, O2C, O2D, O2M | Stylus C6                 |
| Horizon O5J, O5P, O5S, O5T         | Armatura SD3              |
| Tempo O3A, O3S                     | Platin SD4, SD5, SD6, SD7 |
| Diamond D4E, D4F, D4S              |                           |

Site installation must comply with national and local building and electrical codes.

**Mounting height**

\* Standard mounting height as shown above.  
If a different height is required please indicate below

special height \_\_\_\_\_

All dimensions are nominal and subject to tolerances. We reserve the right to make changes that will not alter installed appearance, function, or performance. These designs remain the property of Metalumen. We reserve the exclusive right to reproduce them and to manufacture the items illustrated herein. Some combinations may not be available, consult factory. Metalumen™ is a registered trade mark. © 2006 Metalumen Manufacturing Inc.

**Approvals**

R2-05-06



570 Southgate Drive, Guelph, Ontario N1G 4P6  
Mailing Address: P.O. Box 1779, Guelph, Ontario N1H 6Z9  
T: 800-621-6785 T: 519-822-4381 F: 519-822-4589

[www.metalumen.com](http://www.metalumen.com)

Signature \_\_\_\_\_

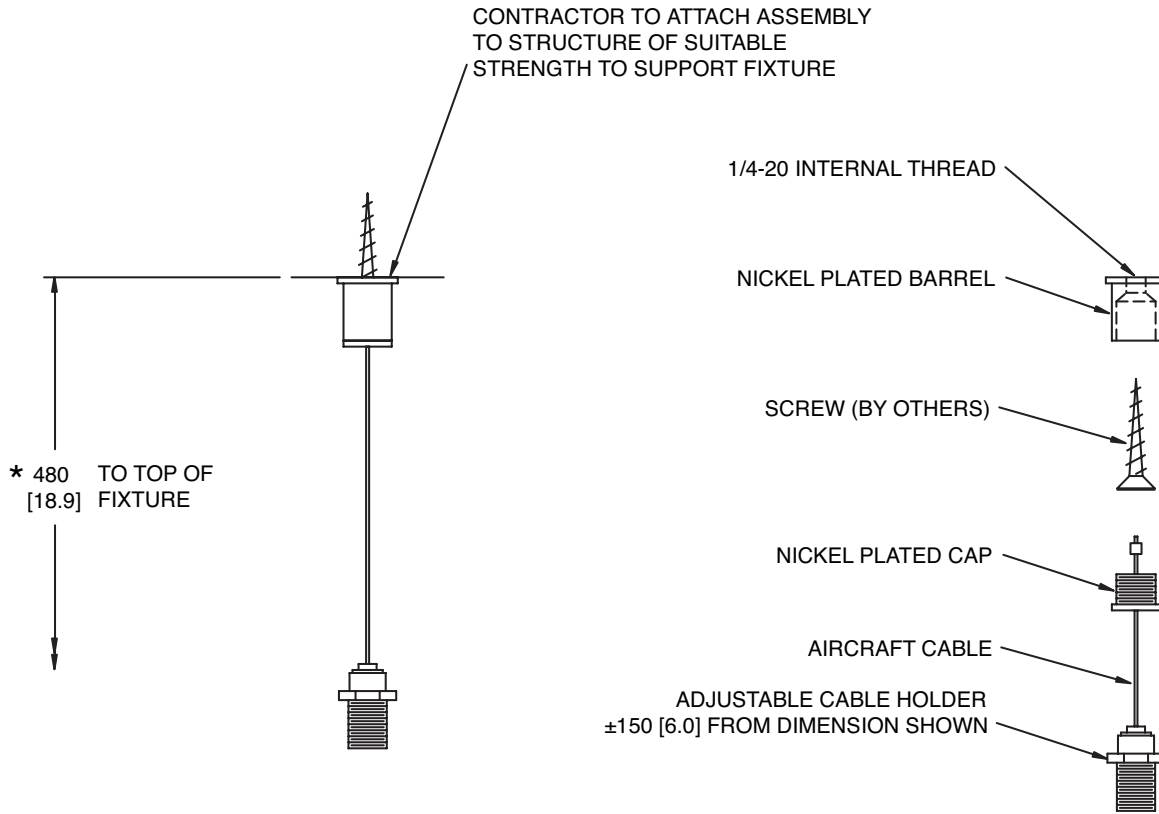
Date \_\_\_\_\_

Mounting Options

SPECIAL APPLICATIONS

TO-M4-06

Aircraft Cable Surface Mount



Site installation must comply with national and local building and electrical codes.

Notes

Mounting height

\* Standard mounting height as shown above.  
 If a different height is required please indicate below

special height \_\_\_\_\_

All dimensions are nominal and subject to tolerances. We reserve the right to make changes that will not alter installed appearance, function, or performance. These designs remain the property of Metalumen. We reserve the exclusive right to reproduce them and to manufacture the items illustrated herein. Some combinations may not be available, consult factory. Metalumen™ is a registered trade mark. © 2006 Metalumen Manufacturing Inc.

Approvals

R2-05-06

**METALUMEN**

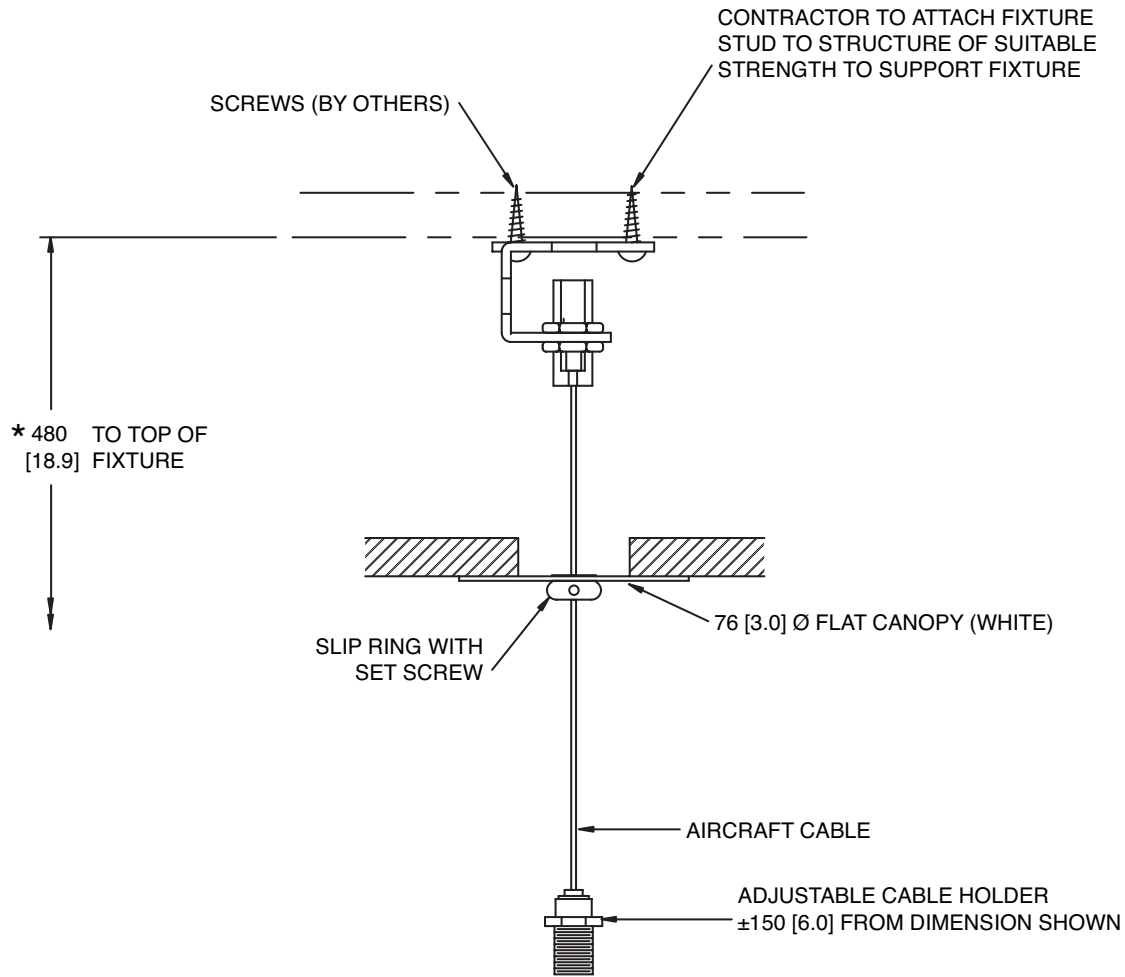
570 Southgate Drive, Guelph, Ontario N1G 4P6  
 Mailing Address: P.O. Box 1779, Guelph, Ontario N1H 6Z9  
 T: 800-621-6785 T: 519-822-4381 F: 519-822-4589

www.metalumen.com

Signature \_\_\_\_\_

Date \_\_\_\_\_

**Aircraft Cable Thru Tile**



Site installation must comply with national and local building and electrical codes.

**Notes**

Flat canopy with aircraft cable.  
 Suitable for any suspended type ceiling application when mounted to structure as indicated above.

**Mounting height**

\* Standard mounting height as shown above.  
 If a different height is required please indicate below

special height \_\_\_\_\_

All dimensions are nominal and subject to tolerances. We reserve the right to make changes that will not alter installed appearance, function, or performance. These designs remain the property of Metalumen. We reserve the exclusive right to reproduce them and to manufacture the items illustrated herein. Some combinations may not be available, consult factory. Metalumen™ is a registered trade mark. © 2006 Metalumen Manufacturing Inc.

**Approvals**

R2-05-06



570 Southgate Drive, Guelph, Ontario N1G 4P6  
 Mailing Address: P.O. Box 1779, Guelph, Ontario N1H 6Z9  
 T: 800-621-6785 T: 519-822-4381 F: 519-822-4589

[www.metalumen.com](http://www.metalumen.com)

Signature \_\_\_\_\_

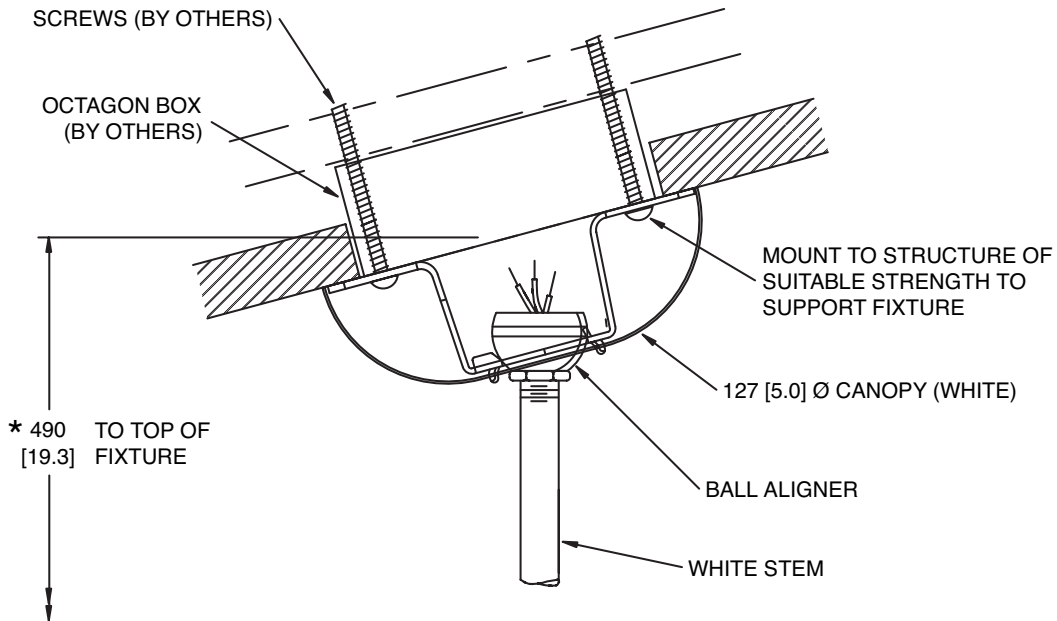
Date \_\_\_\_\_

Mounting Options

SPECIAL APPLICATIONS

TO-M1-04

Stem & Ball Aligner



Site installation must comply with national and local building and electrical codes.

**Notes**

Suitable for T-Bar and plaster ceiling applications.  
 Junction box must be flush to ceiling.  
 Can also be used with surface mounted junction box.

**Mounting height**

\* Standard mounting height as shown above.  
 If a different height is required please indicate below

special height \_\_\_\_\_

All dimensions are nominal and subject to tolerances. We reserve the right to make changes that will not alter installed appearance, function, or performance. These designs remain the property of Metalumen. We reserve the exclusive right to reproduce them and to manufacture the items illustrated herein. Some combinations may not be available, consult factory. Metalumen™ is a registered trade mark. © 2006 Metalumen Manufacturing Inc.

**Approvals**

R2-05-06

**METALUMEN**

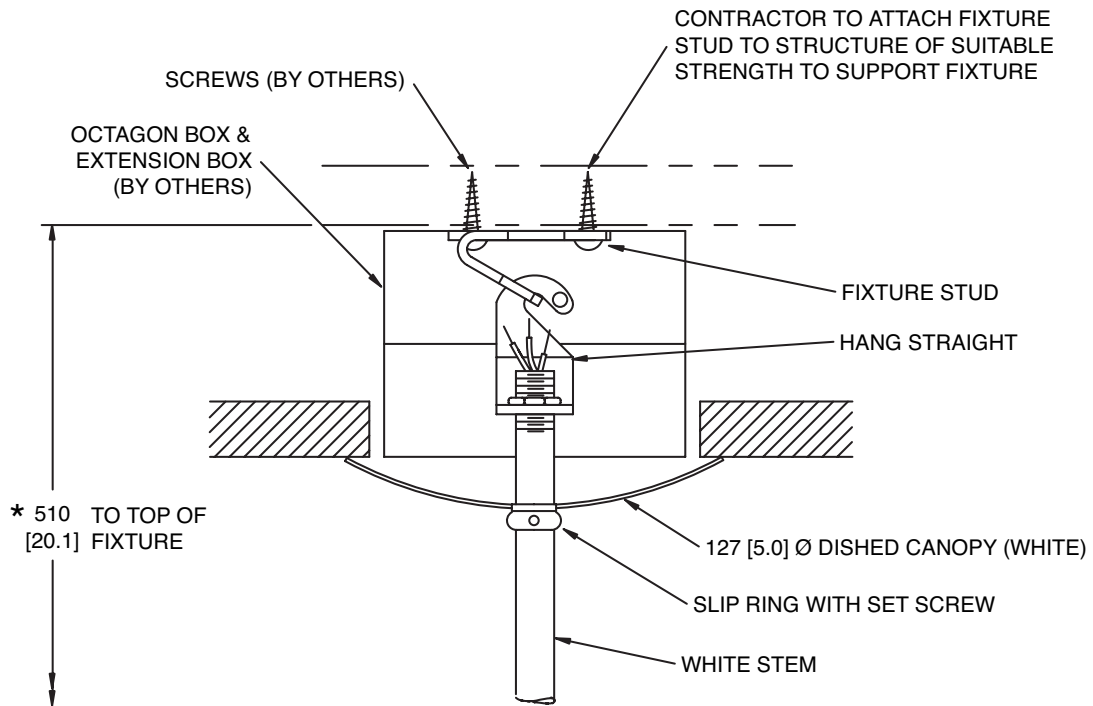
570 Southgate Drive, Guelph, Ontario N1G 4P6  
 Mailing Address: P.O. Box 1779, Guelph, Ontario N1H 6Z9  
 T: 800-621-6785 T: 519-822-4381 F: 519-822-4589

[www.metalumen.com](http://www.metalumen.com)

\_\_\_\_\_  
 Signature

\_\_\_\_\_  
 Date

Stem & Hang Straight



Site installation must comply with national and local building and electrical codes.

**Notes**

Hang straight mounting assembly.  
Must be used with junction box and extension box.

**Mounting height**

\* Standard mounting height as shown above.  
If a different height is required please indicate below

special height \_\_\_\_\_

All dimensions are nominal and subject to tolerances. We reserve the right to make changes that will not alter installed appearance, function, or performance. These designs remain the property of Metalumen. We reserve the exclusive right to reproduce them and to manufacture the items illustrated herein. Some combinations may not be available, consult factory. Metalumen™ is a registered trade mark. © 2006 Metalumen Manufacturing Inc.

**Approvals**

R2-05-06



570 Southgate Drive, Guelph, Ontario N1G 4P6  
Mailing Address: P.O. Box 1779, Guelph, Ontario N1H 6Z9  
T: 800-621-6785 T: 519-822-4381 F: 519-822-4589

[www.metalumen.com](http://www.metalumen.com)

Signature \_\_\_\_\_

Date \_\_\_\_\_