

## GENERAL INSTRUCTIONS

READ ALL INSTRUCTIONS PRIOR TO INSTALLING FIXTURES. Keep protective film/plastic on fixtures during installation to protect surface from damage or dirt.

NOTE: DO NOT ASSEMBLE FIXTURE RUNS ON THE FLOOR.

FIG. 1 shows an aircraft cable hanger assembly. The specific hanger type for your fixture(s) is identified on the Hanger Installation Instruction Sheet.

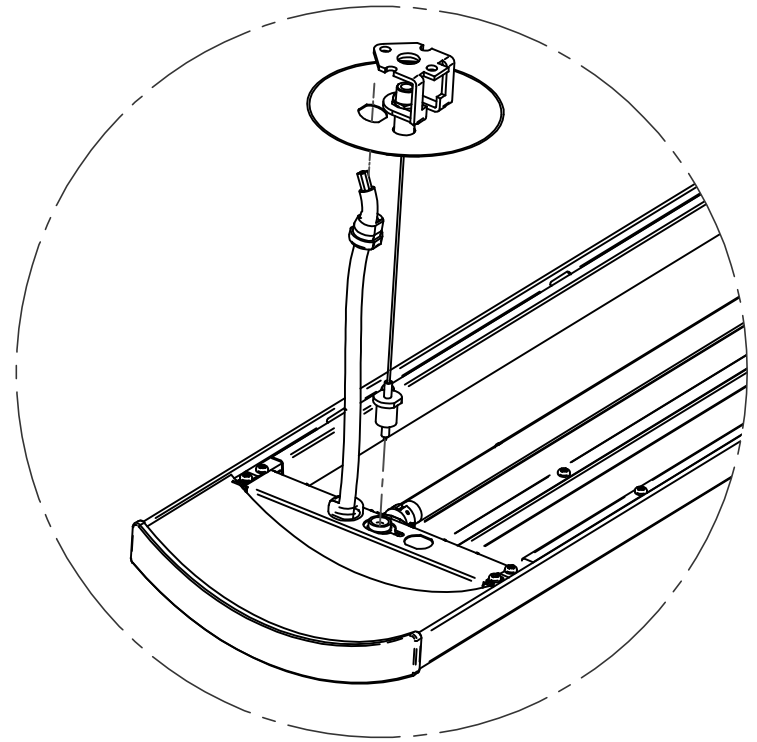


FIG. 1

## STEP BY STEP INSTRUCTIONS

1. Install HANGER BRACKETS into ceiling at the required distances. Mounting distances are listed in Table A. HANGER BRACKETS MUST BE INSTALLED IN A STRAIGHT LINE. (see FIG. 2)

2. Suspend start fixture using the supplied hanger system. [see Hanger Installation Instructions]

DISTANCE BETWEEN MOUNTING CENTERS	
FIXTURE	DISTANCE
4' T8	49.3" / 1253mm
6' T8	74.4" / 1889mm
8' T8	98.4" / 2499mm
12' T8	147.4" / 3744mm
4' T5	47.3" / 1202mm
6' T5	70.7" / 1795mm
8' T5	94.3" / 2395mm
12' T5	141.3" / 3589mm

Table A

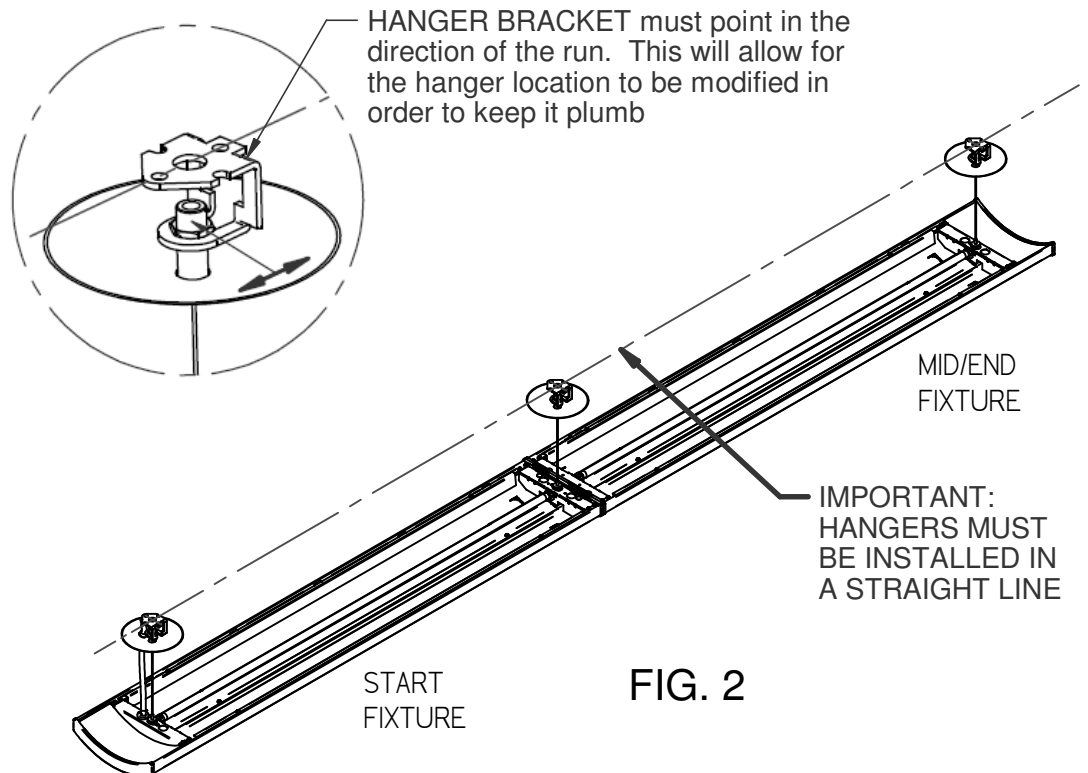


FIG. 2

STEP BY STEP INSTRUCTIONS CONT'D

3. Suspend next fixture and mate it to the previous fixture (see FIG. 3A, FIG. 3B & FIG. 3C). This step is only required for fixtures in a run configuration.
4. Repeat step 3 until run is complete.
5. Install all lamps.
6. Make all electrical connections and finalize hanger installation. (see Hanger Installation Instructions)
7. Balance fixtures (see FIG. 4) and make final adjustments to height and straightness of fixtures. (see Hanger Installation instructions)

MALE SIDE OF MECHANICAL INTERLOCK slides into the appropriate slots on the mating fixture.

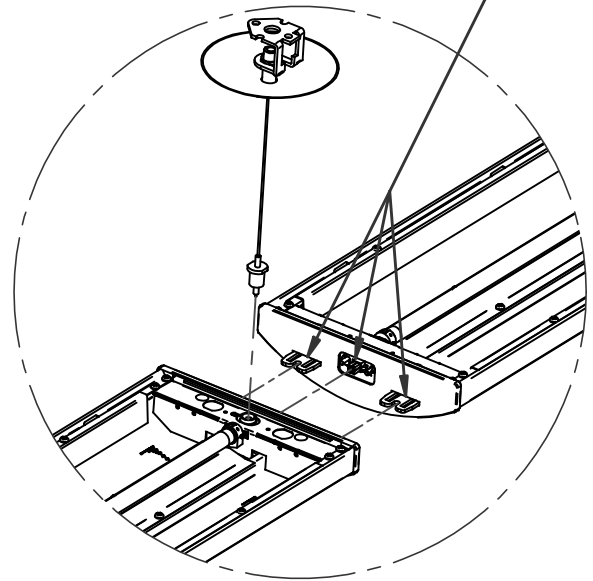


FIG. 3A

MECHANICAL INTERLOCK SCREWS (2) are fastened with a screwdriver. CAUTION: DO NOT OVER TIGHTEN

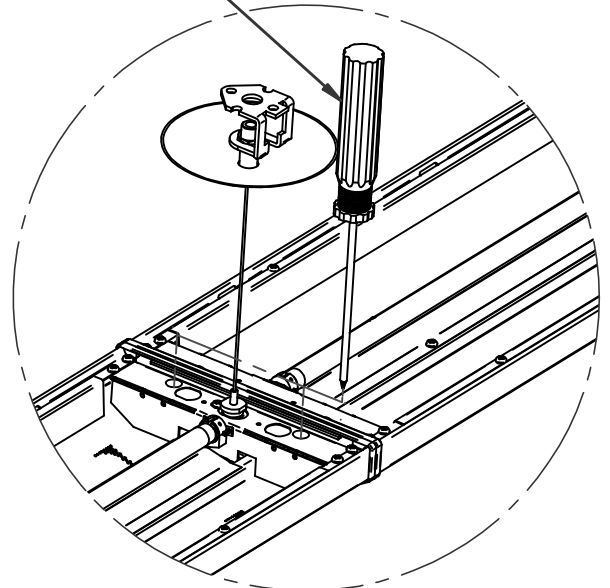


FIG. 3B

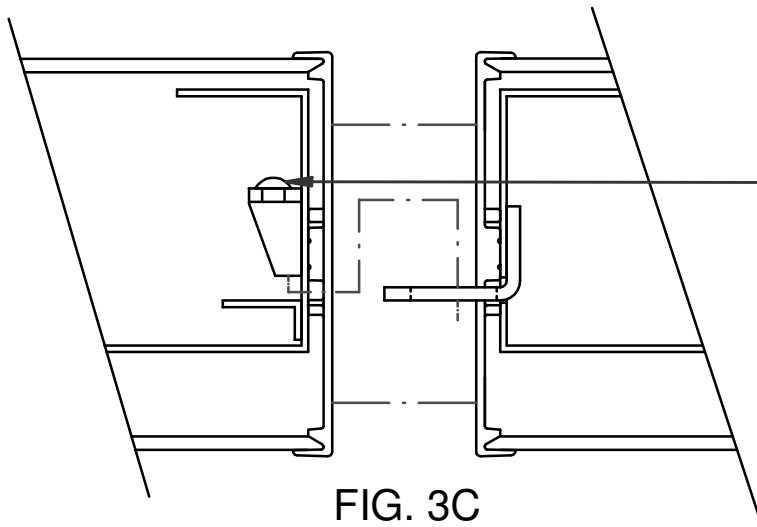


FIG. 3C

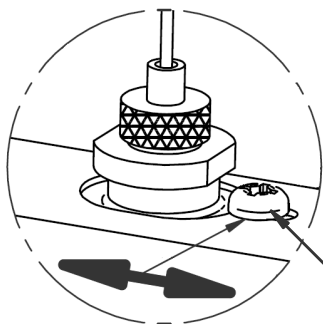


FIG. 4

Fixture may be balanced by loosening screw and shifting ADJUSTABLE CABLE HOLDER. Tighten screw after adjusting.