

13

Perimeter



CS1 Series

METALUMEN

Distinguished Design ↔ Engineered Excellence

www.metalumen.com

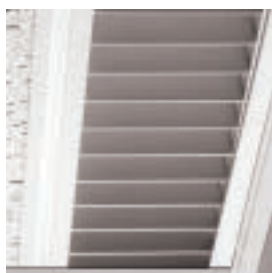


Perimeter CS1

Perimeter CS1 is a cost-effective perimeter lighting solution that provides a consistent wash of light on walls and ambient light within the space. Supported by an aluminum wall-mounting rail at the ceiling plane, the fixture remains completely concealed within the ceiling and directly supports adjacent ceiling tiles by means of an attached ceiling trim extrusion. The Perimeter CS1 is designed for application in corridors, meeting rooms, offices, libraries, public spaces and restrooms, or any other space where economical wall washing is a requirement. The Perimeter CS1 offers a wide selection of light control options for the 125mm (4.9") opening and is available in either a 1-lamp or a 2-lamp cross section with a choice of energy efficient T5 HO, T5 or T8 lamping options.



CS1 Corner



CS1 White Parabolic

Construction and Finish

The Perimeter CS1 luminaire body is uniquely die-formed to provide strength and alignment throughout its length and consistency in lighting performance. The body is formed from 20-gauge steel and painted in a standard white powder coated finish. An optional semi-specular reflector is available for applications where additional lighting is required further down the wall.

Standard connectors include 90° inside, 90° outside, 45° inside and 45° outside corners and straight fillers, without lamping or reflectors. All standard connectors accept standard luminaire bodies along their entire length for an exact field fit. Non-standard connector sizes are available by special factory order.

Mounting

The Perimeter CS1 is engineered for ease of installation and maintenance. Pre-wired sections are field installed without disassembly by simply attaching the fixture to the aluminum wall-mount rail. An extruded aluminum ceiling trim enables a neat interface in all ceiling applications.

Lighting Control Options

The Perimeter CS1 offers a wide selection of light control options for the 125mm (4.9") opening, including:

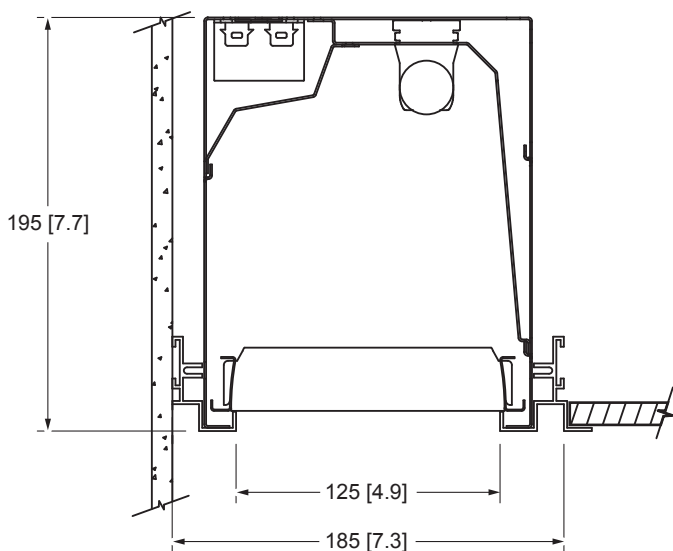
- Specular Parabolic Louver
- Semi-Specular Parabolic Louver
- White Painted Parabolic Louver
- Prismatic Lens
- Open Downlight

The Perimeter CS1 offers 100% downlight with all of the above control options.

Electrical

Integral electronic ballast is included for T5 HO, T5 or T8 lamping at 120, 277 or 347 volts. All sections are pre-wired for quick connection and installation. Power is introduced at any point in the system through knockouts spaced at 4-foot intervals. For multiple circuits, battery pack and emergency circuit wiring consult factory.

All fixtures are CSA and UL listed.



METALUMEN

Distinguished Design ↔ Engineered Excellence

METALUMEN MANUFACTURING INC.

570 Southgate Drive, Guelph, Ontario N1G 4P6

Mailing Address: P. O. Box 1779, Guelph, Ontario N1H 6Z9

toll free 1-800-621-6785 t 519-822-4381 f 519-822-4589

www.metalumen.com

Please refer to black and white ordering guide for detailed product information and photometrics or visit our web site at www.metalumen.com

All dimensions are nominal and subject to tolerances. We reserve the right to make changes that will not alter installed appearance, function, or performance. These designs remain the property of Metalumen. We reserve the exclusive right to reproduce them and to manufacture the items illustrated herein. Some combinations may not be available, consult factory. METALUMEN™ is a registered trademark. © 2005 Metalumen Manufacturing Inc.