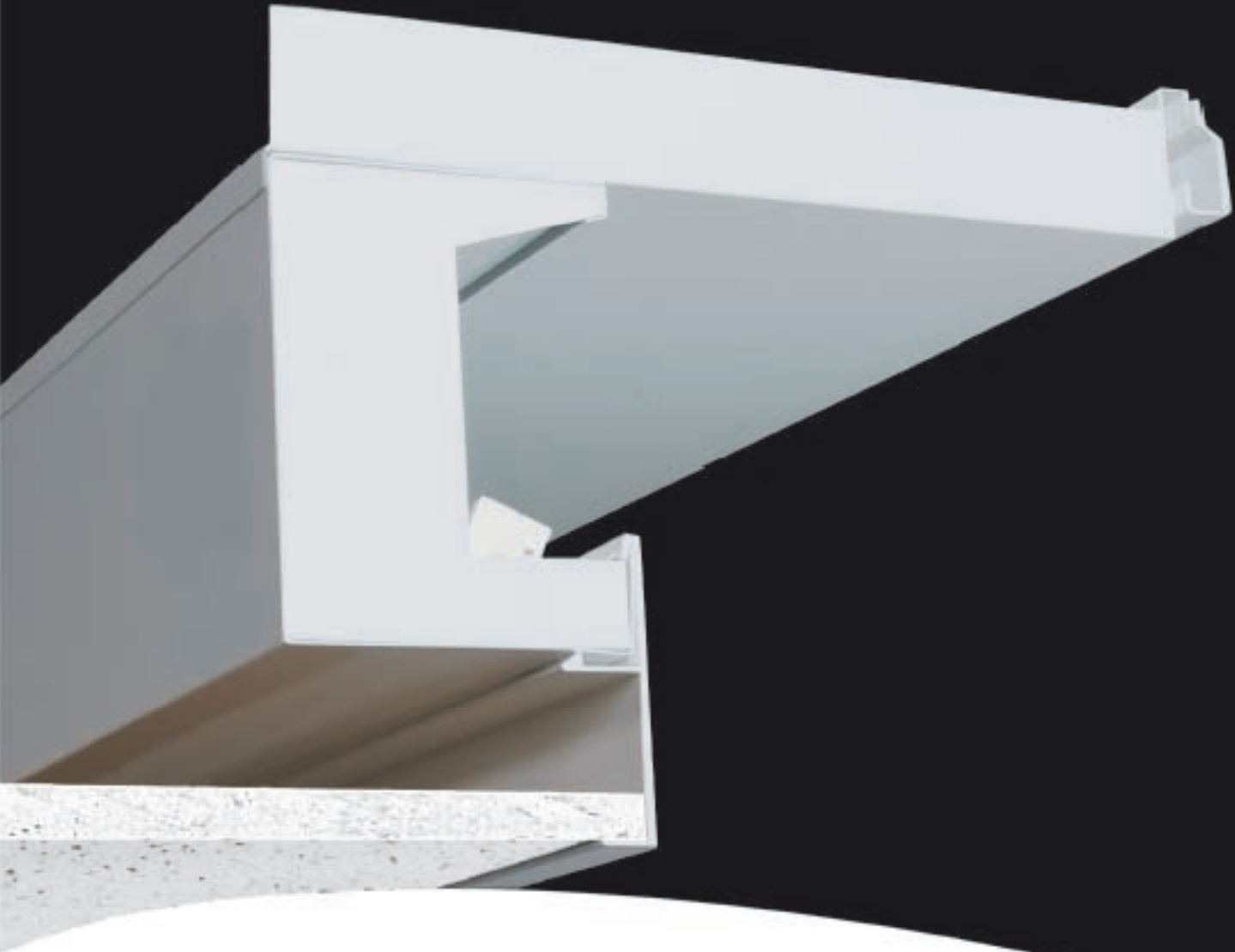


13

Perimeter



CS3 Series

METALUMEN
Distinguished Design ↔ Engineered Excellence

www.metalumen.com



Perimeter CS3

Perimeter CS3 is an architectural perimeter lighting system that creates a consistently lit cove; the illusion of a *floating ceiling* with no apparent hardware. The Perimeter CS3 is uniquely designed for application in corridors, boardrooms, meeting rooms, offices, libraries and public spaces. Supported by a steel wall-mounting rail above the ceiling plane, the fixture remains completely concealed within the ceiling and directly supports adjacent ceiling tiles by means of an attached ceiling trim extrusion. Lamp placement and reflector design eliminate direct and reflected lamp image. The Perimeter CS3 is offered in a 1-lamp cross section with a 232mm (9.1") opening and is available with a choice of energy efficient T5 HO, T5 or T8 lamping options.

Construction and Finish

The Perimeter CS3 luminaire body is uniquely die-formed to provide strength and alignment throughout its length and consistency in lighting performance. The body is formed from 20-gauge steel and painted in a standard white powder coated finish. An optional semi-specular reflector is available for applications where additional lighting is required further down the wall.

Standard connectors include 90° inside, 90° outside, 45° inside and 45° outside corners and straight fillers. Standard connectors contain reflectors, no lamping and may be field trimmed for an exact fit. Non-standard corners are available by special factory order.

Mounting

The Perimeter CS3 is engineered for ease of installation and maintenance. The pre-wired CS3 sections are field installed with minor assembly by simply attaching the assembled fixture to the steel wall-mount rail. An extruded aluminum ceiling trim enables a neat interface in all ceiling applications.

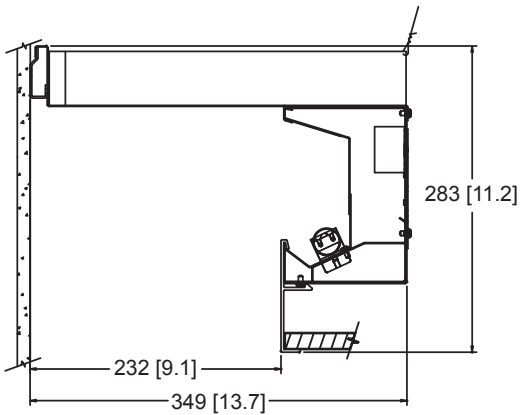
Lighting Control Options

The Perimeter CS3 offers 100% downlight through a 232mm (9.1") opening. All sections are standard equipped with a white top reflector.

Electrical

Integral electronic ballast is included for T5 HO, T5 or T8 lamping at 120, 277 or 347 volts. All sections are pre-wired for quick connection and installation. Power is introduced at any point in the system through knockouts spaced at 4-foot intervals. For multiple circuits, battery pack and emergency circuit wiring consult factory.

All fixtures are CSA and UL listed.



Perimeter CS3 Inside View

METALUMEN

Distinguished Design ↔ Engineered Excellence

METALUMEN MANUFACTURING INC.

570 Southgate Drive, Guelph, Ontario N1G 4P6

Mailing Address: P. O. Box 1779, Guelph, Ontario N1H 6Z9

toll free 1-800-621-6785 t 519-822-4381 f 519-822-4589

www.metalumen.com

Please refer to black and white ordering guide for detailed product information and photometrics or visit our web site at www.metalumen.com

All dimensions are nominal and subject to tolerances. We reserve the right to make changes that will not alter installed appearance, function, or performance. These designs remain the property of Metalumen. We reserve the exclusive right to reproduce them and to manufacture the items illustrated herein. Some combinations may not be available, consult factory. METALUMEN™ is a registered trademark. © 2005 Metalumen Manufacturing Inc.