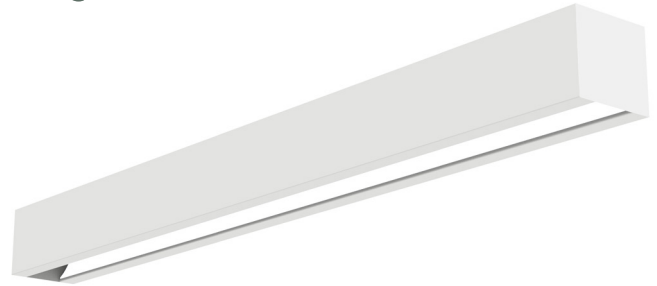


IS-DRDP-01 rev.00

DP25 & DR25 RECESSED T-BAR INSTALLATION INSTRUCTIONS



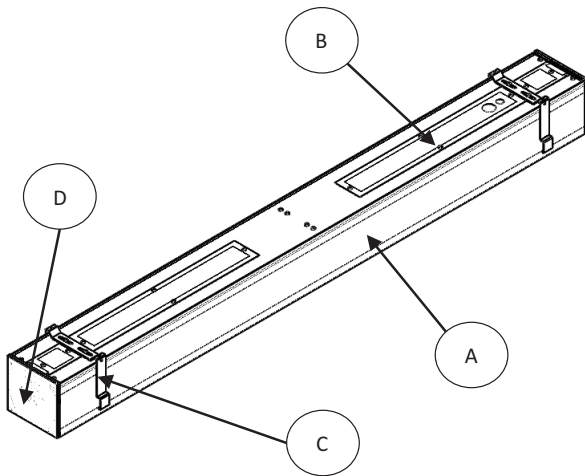
NOTE: The following instructions provide general guidelines for product installation. For additional information consult the applicable electrical codes or contact factory directly for support before attempting anything with uncertainty.

CAUTION: Do not assemble fixture runs on floor.

WARNING: Risk of fire and electrical shock. **DISCONNECT POWER AT ELECTRICAL PANEL** before installing or servicing this product.

GENERAL SAFETY INSTRUCTIONS:

1. Read all instructions prior to installing this fixture.
2. This product must be installed in accordance with the applicable installation code by a person familiar with the construction and operation of the product and the hazards involved.
3. All wiring must be performed by a qualified electrician in accordance with national and local building and electrical codes.
4. This fixture must be suitably grounded for your protection against shock hazards and to assure proper operation.
5. Make sure that the power source conforms to the requirements of this fixture.

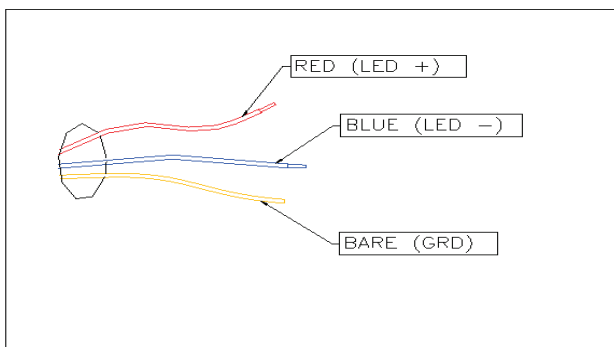


T-BAR CENTERS SPACING		
FIXTURE	T-BAR LENGTH	T-BAR WIDTH
2'	609.9 mm (24.0")	123.8 mm (4.875")
4'	1219.2 mm (48.0")	123.8 mm (4.875")
8'	2438.4 mm (96.0")	123.8 mm (4.875")
FIXTURE FITS STANDARD T-BAR (9/16" & 15/16")		

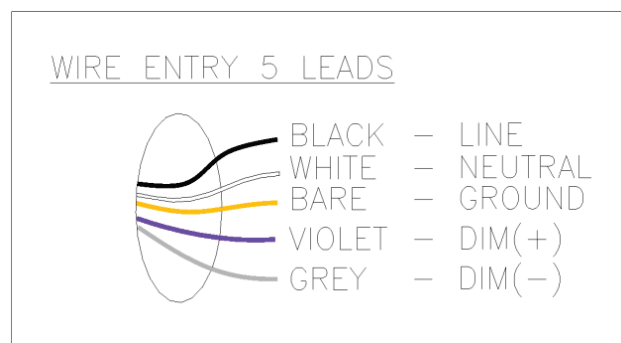
PARTS LIST

- A. Luminaire enclosure
- B. Wire Entry Plate
- C. T-bar Mounting Bracket
- D. End Plate

WIRING DIAGRAM

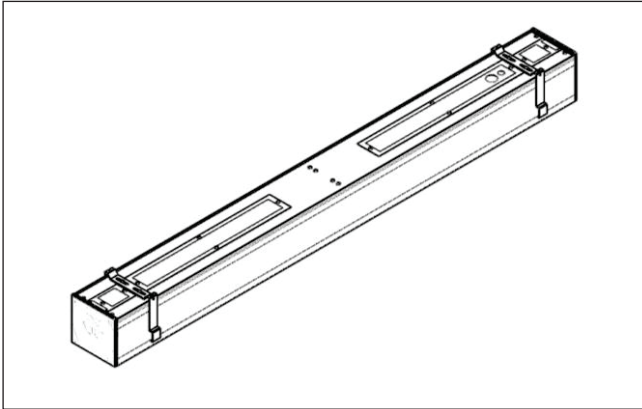


FIXTURE TO REMOTE/INTEGRAL DRIVER

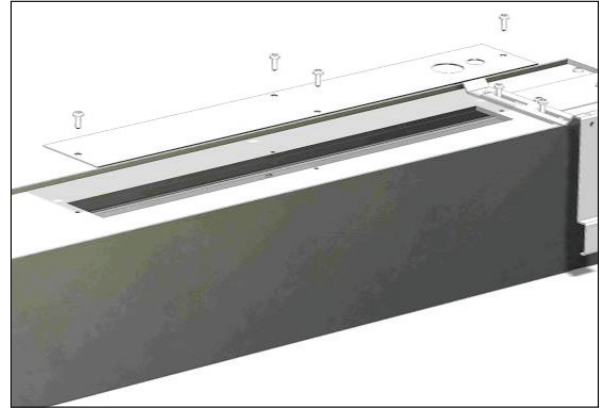


INTEGRAL / REMOTE DRIVER TO LINE VOLTAGE

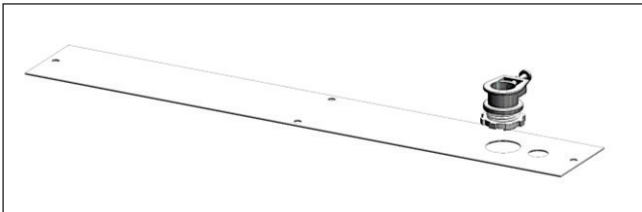
INSTALLATION STEPS



Step 1: Remove all fixture packaging EXCEPT the foam support inside fixture. Foam must remain in fixture until fixture is fully secured to T-Bar.

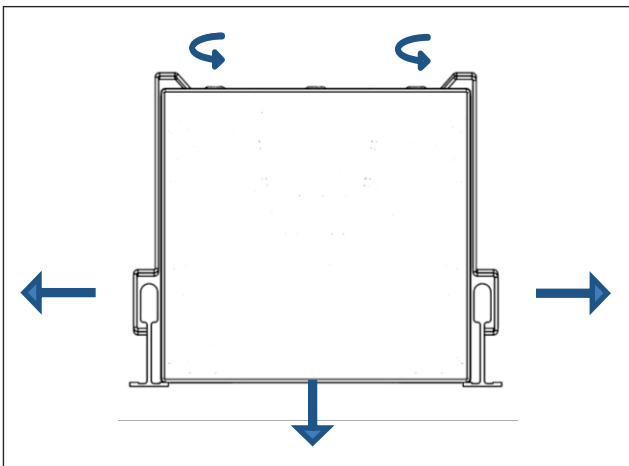


Step 2: Remove wire entry panel from fixture Remove wire entry panel from fixture

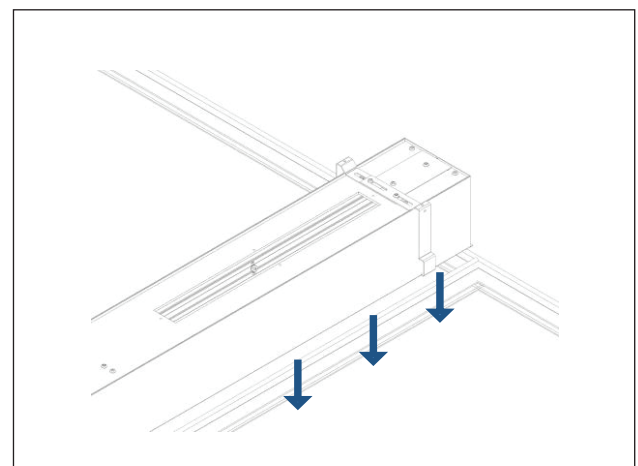


Step 3: Knock out and install BX connector (Supplied by others). Feed BX cable (supplied by others) through connector and wire entry plate. Tighten BX connector screw cable to wire entry plate. Note: Remote driver to be mounted in accessible location within 54ft of fixture. Wire remote driver box to power source. (Wired by others)

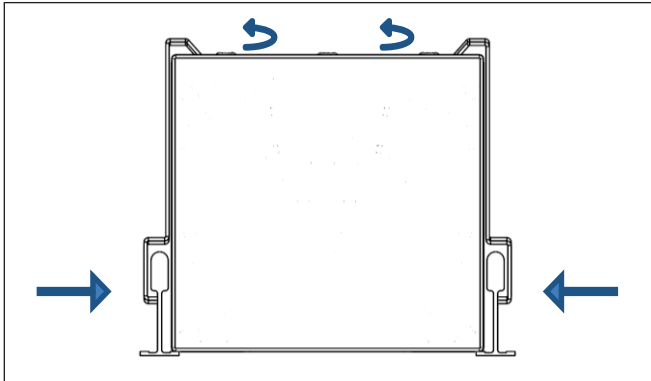
Step 4: Remove ceiling tiles (where fixture is to be installed) and adjacent tiles for easy access during installation.



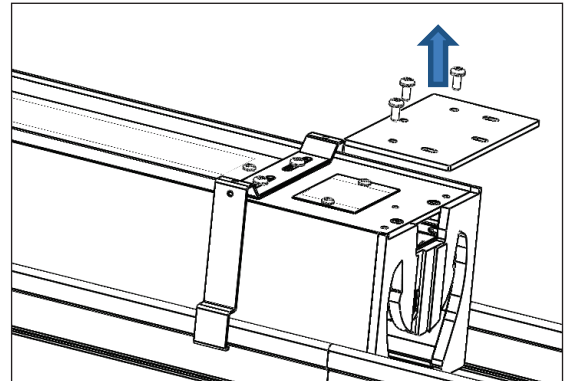
Step 5: Open T-bar mounting brackets by loosening the Phillips head screws on top of the fixture. Open the brackets to the widest position and tighten the screw.



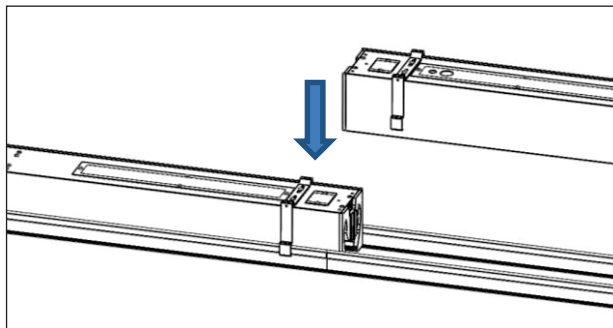
Step 6: Raise fixture above the ceiling and lower the fixture onto the T-bars.



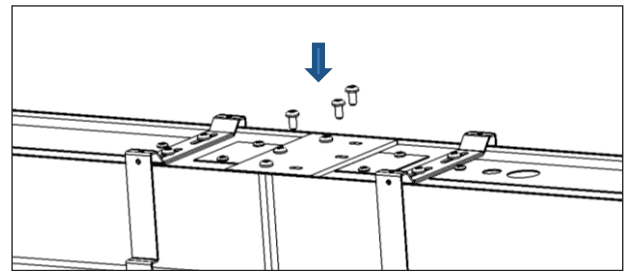
Step 7: Adjust the T-bar mounting brackets snug to the T-bar frame and secure into position using the Phillips screws on top of fixture. Skip to STEP 10 for stand-alone fixtures.



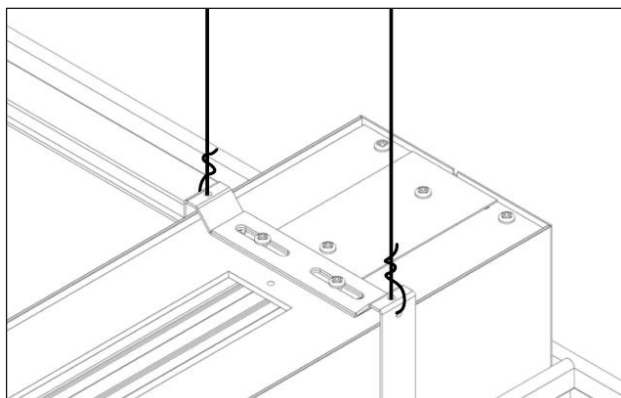
Step 8: For continuous runs, detach the joiner plate and 3 screws.



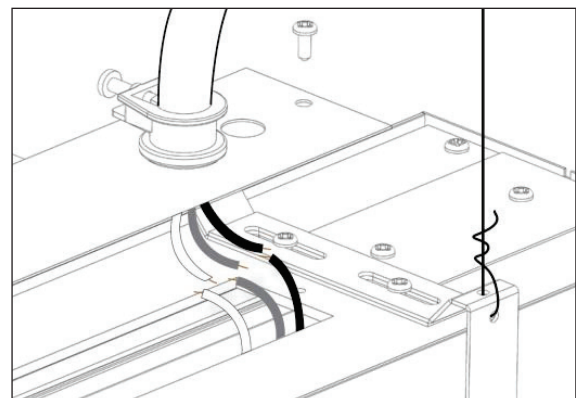
Step 9: Slide the end/middle fixture into place (from above)



Step 10: Re-attach joiner plate and secure fixtures together with screws.



Step 11: Attach safety wires to each mounting bracket.



Step 12: Connect cables from BX cable to the fixture driver cables. Re-attach wire entry plate to the fixture. Install all ceiling tiles and remove the foam insert from the light fixtures.

MAINTENANCE STEPS

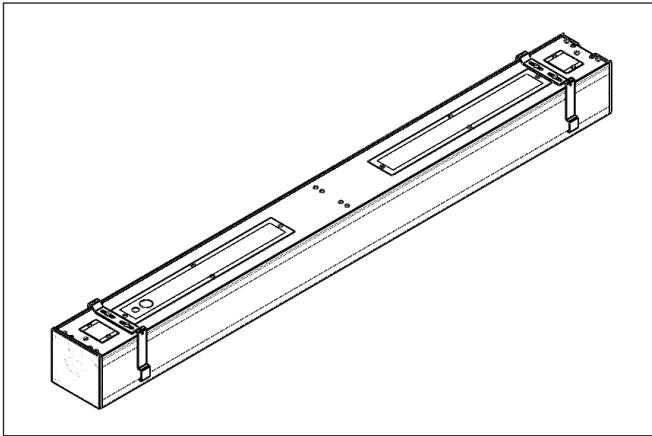
Important: Use clean gloves to avoid adding oil/dirt to reflector surface. Avoid scratching reflector surface by using installation tools with soft plastic rounded edges.



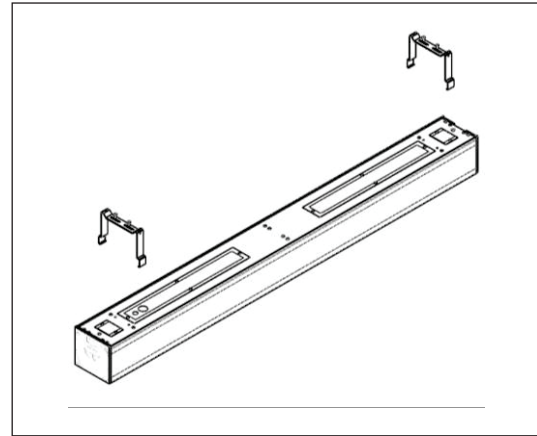
PLASTIC LATEX GLOVES



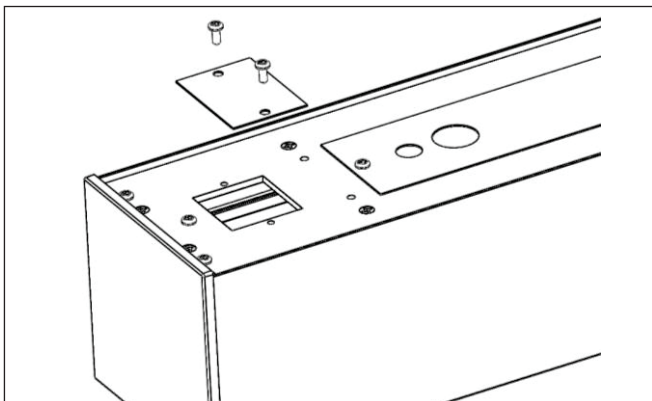
SCREWDRIVER



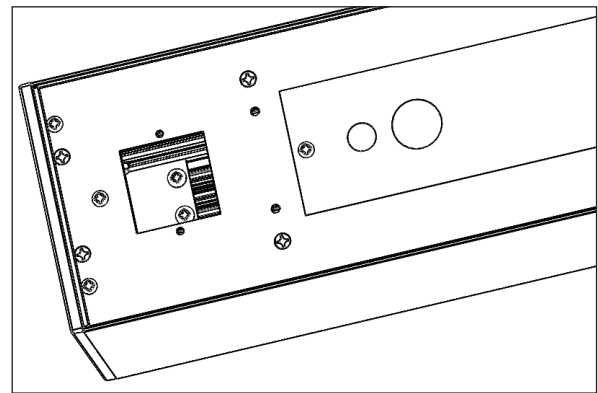
Step 1: For LED board maintenance, remove the fixture from the ceiling.



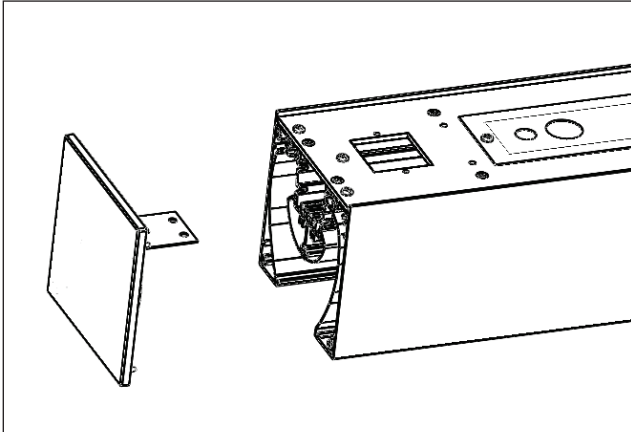
Step 2: Unscrew and remove the T-Bar mounting brackets.



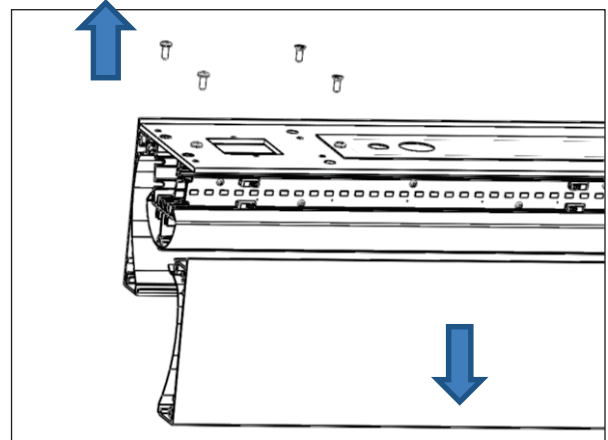
Step 3: Unscrew and remove the end access panel.



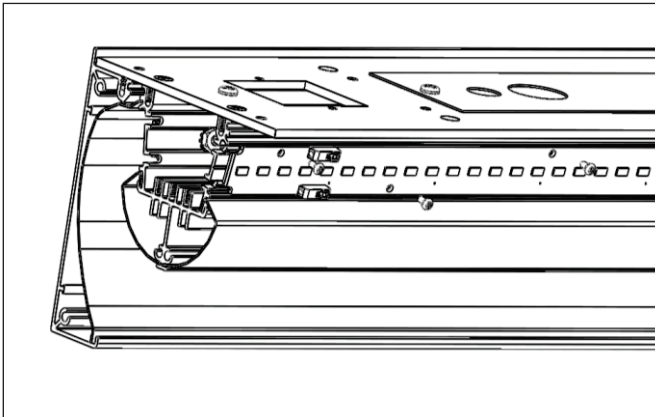
Step 4: Unscrew the 2 screws securing the end cap.



Step 5: Remove the end-cap.



Step 6: Remove the screws from the top extrusion.
Remove side extrusion along with side reflector.



Step 7: Unhook power wire to the LED Boards and unscrew the LED screws to remove the LED boards.