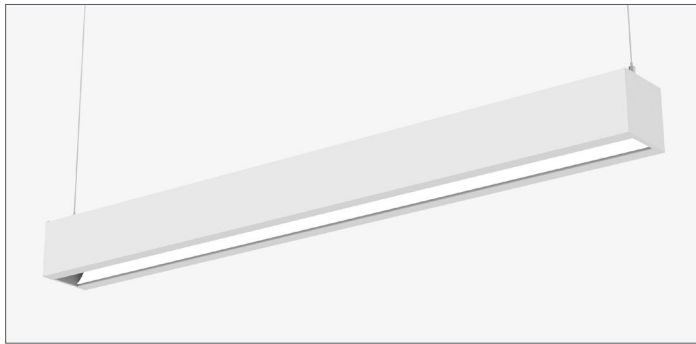


# DP25

LED . PENDANT . DIRECT . ASYMMETRIC



PART #:	
PREP BY:	DATE:
PROJECT:	
NOTES:	
APPROVAL SIGNATURE:	DATE (DD/MM/YYYY):

PERFORMANCE SUMMARY @ 3500K		L3
Lumens per foot	80 CRI	579
	90 CRI	510
Wattage per foot		6.1
Efficacy (lm/W)	80 CRI	95
	90 CRI	84
L85 Estimate (h)		≥ 60,000 hrs

See page 2 for the complete Light Level Performance chart.

## FEATURES

- Open cavity design requires no lens
- Asymmetric, direct distribution ideal for perimeter, ambient and wall-wash applications
- Up to 95 lm/W

## ORDERING LOGIC

Example Part Number: DP25-1L35K-4-NN-B-L31-PA18-1-N-N-C-90

1. SERIES	2. COLOR TEMP	3. LENGTH	4. OPTICS	5. FINISH	6. LIGHT LEVEL / DRIVER	7. CIRCUITRY
<b>DP25</b>	<b>1L30K</b> 3000K <b>1L35K</b> 3500K <b>1L40K</b> 4000K  90 CRI is available under OPTIONS	<b>2</b> 2 ft <b>4</b> 4 ft <b>8</b> 8 ft <b>RA</b> Continuous Rows Replace "A" with length in feet.	<b>NN</b> None	<b>SA</b> Satin Aluminum <b>W</b> White <b>B</b> Black <b>C</b> Custom Finish Specify RAL:	<b>L1</b> <b>L2</b> <b>L3</b> <b>L4</b> Select Driver below.  See Light Level Performance chart on p2.	<b>1</b> 1 Circuit
8. MOUNTING	9. VOLTAGE	10. CONTROLS / SENSORS	11. DRIVER LOCATION	12. END CAP OPTIONS	13. OPTIONS	
<b>PAA</b> Pendant Aircraft Cable <b>PTA</b> Pendant Aircraft Cable for T-bar <b>SSA</b> Solid Stem <b>PPA</b> Power Over Aircraft Cable* Replace "A" with length (inches) selected below.  Select Cable / Stem Length, Canopy Finish & Power Cord Color below	<b>1</b> 120 V <b>2</b> 277 V <b>3</b> 347 V <b>4</b> UNV (120 - 277V)	<b>N</b> None	<b>N</b> None (mounted integral) <b>R</b> Remote Driver Box <b>RC</b> Remote Surface Canopy	<b>C</b> Closed (Standard) <b>O</b> Open <b>X</b> Custom (Consult factory)	<b>N</b> None <b>90</b> 90 CRI, High R9	

### Select Driver:

- Factory option 0-10V, 1% Dimming
- LHE** Lutron H-Series Hi-lume 1% EcoSystem LED Driver
- LA2** Lutron A-Series Hi-lume 1% 2-wire LED Driver
- L5E** Lutron 5-Series EcoSystem LED Driver

### Select Aircraft Cable / Solid Stem Length:

Cable total adjustment range is 6" up & down for each standard length.  
Stem standard supplied length is 18" (460mm). Hangers will be supplied at closest length.

All other lengths are considered custom unless otherwise stated.

Select:	Imperial (in)	Metric (mm)
<input type="checkbox"/>	12	305
<input type="checkbox"/>	18	460
<input type="checkbox"/>	24	610
<input type="checkbox"/>	30	760
<input type="checkbox"/>	36	915
<input type="checkbox"/>	42	1067
<input type="checkbox"/>	48	1220

Select:	Imperial (in)	Metric (mm)
<input type="checkbox"/>	54	1372
<input type="checkbox"/>	60	1525
<input type="checkbox"/>	72	1830
<input type="checkbox"/>	96	2440
<input type="checkbox"/>	120	3050
<input type="checkbox"/>	144	3660
<input type="checkbox"/>	Custom Length: _____	

### Select Canopy Finish & Power Cord Color

Canopy	Power Cord
<input type="checkbox"/> White	<input type="checkbox"/> White
<input type="checkbox"/> Black	<input type="checkbox"/> Black
<input type="checkbox"/> Custom Finish RAL: _____	

## Light Level Performance

3500K, 80 CRI, 0-10V Dimming

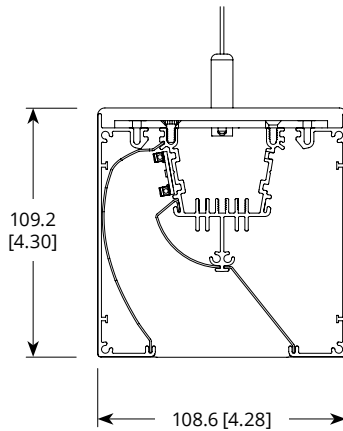
Light Level	Lumens per foot	Wattage per foot	Efficacy (lm/W)
L1	317	3.5	91
L2	404	4.4	91
L3	579	6.1	95
L4	1109	12.2	91

Standard Lumen Adjustment Factor

Color Temp	80 CRI	90 CRI
3000K	0.984	0.880
3500K	1.000	0.875
4000K	1.032	0.879

Metalumen's light level performance metrics are subject to manufacturers component tolerances.

## CROSS SECTIONS



## SPECIFICATIONS

Due to the Continuous Improvement Policy at Metalumen, we reserve the right to change our specifications without notice.

**Housing:** Rigid 3-piece extruded aluminum body with 22-gauge steel top cover plate. Our unique, open cavity design requires no lens.

**Optical System:** Metalumen luminaires are designed to utilize leading edge LED technology combined with luminaire optimized reflectors, resulting in industry leading optical performance.

**CRI:** 83+ for 3500K, 80 minimum for all

CCTs in standard configurations.

**Lumen Maintenance:** Minimum 50,000h with TM-21 lumen maintenance of 85% @ 25°C ambient temperature (calculated based on IESNA LM-80-08 LED test data). L70: ≥60,000hrs.

**Finish:** Satin aluminum, white and black are standard finishes. For custom finish, contact factory.

**Mounting:** Aircraft cable complete

with a Quick-Grip field adjustable suspension system provides for quick and easy on-site alignment.

**Electrical:** Factory prewired with easy wire quick connect sections.

**Drivers:** Metalumen offers 0-10V dimming\* as a standard on our entire LED product offering. Dimming range is 1%-100%. Power factor is > 90%. Class 2 rating.

**Approvals:** All components are UL/

CSA/QPS recognized or listed. RoHS compliant.

**Environment:** Suitable for dry locations.

*\*Standard drivers compatible with passive/sinking dimmers. Please contact Metalumen if active/sourcing dimmer support is required.*

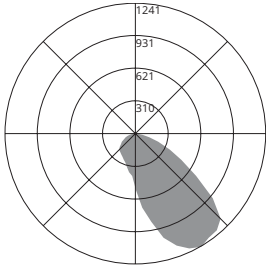
## WARRANTY

Metalumen will warrant defective luminaires for 5 years from date of purchase. Warranty is valid if luminaire is installed and used according to specification. If defective, Metalumen will send replacement boards or drivers at no cost along with detailed replacement instructions and instructions on how to return defective components to Metalumen.

PHOTOMETRIC DATA - 3500K, 80 CRI

IES File: **DP25-1L35K-4-L3**  
 Lumens: **579/ft** Wattage: **6.1/ft**  
 Efficacy: **95 lm/W**

**PHOTOMETRIC CURVE**  
 100% Down



**ZONAL LUMEN SUMMARY**

Zone	Lumens	%Fixt
0-20	222	9.6
0-30	518	22.4
0-40	919	39.6
0-60	1807	78
0-80	2276	98.2
0-90	2317	100
10-90	2265	97.7
20-40	697	30.1
20-50	1159	50
40-70	1195	51.6
60-80	468	20.2
70-80	162	7
80-90	42	1.8
90-110	0	0
90-120	0	0
90-130	0	0
90-150	0	0
90-180	0	0
110-180	0	0
0-180	2317	100

**COEFFICIENTS OF UTILIZATION**

Zonal Cavity Method | Effective Floor Cavity Reflectance = .20

RC	80				70				50			
	RW	70	50	30	10	70	50	30	10	50	30	10
RCR												
0	119	119	119	119	116	116	116	116	111	111	111	111
1	108	103	99	95	106	101	97	94	97	94	91	
2	98	90	82	76	95	88	81	76	84	79	74	
3	89	78	69	63	86	76	68	62	73	67	61	
4	81	69	59	52	79	67	59	52	65	57	51	
5	74	61	51	44	72	60	51	44	57	50	44	
6	68	54	45	38	66	53	44	38	51	44	38	
7	63	49	40	33	61	48	39	33	46	39	33	
8	58	44	35	29	57	44	35	29	42	34	29	
9	54	40	32	26	53	40	32	26	39	31	26	
10	51	37	29	23	49	36	29	23	35	28	23	

**LUMINANCE DATA (CD/M<sup>2</sup>)**

Vertical Angle	Horizontal Angle		
	0	45	90
45	6063	6321	3987
55	3791	5735	4105
65	2033	3462	4207
75	838	1456	3956
85	128	227	2132

**CANDELA DISTRIBUTION**

Vertical Angle	Horizontal Angle				
	0	22.5	45	67.5	90
0	537	537	537	537	537
5	705	668	639	587	521
10	850	835	757	635	513
15	1022	971	843	694	512
20	1131	1097	965	746	491
25	1203	1183	1052	791	485
30	1241	1205	1089	828	480
35	1205	1195	1108	851	457
40	1197	1161	1098	875	446
45	1141	1125	1060	864	423
50	955	1013	1004	841	398
55	698	756	920	803	366
60	499	543	733	739	337
65	355	374	513	657	292
70	225	247	333	519	247
75	134	139	192	344	188
80	66	72	89	169	127
85	18	19	25	48	52
90	1	2	2	4	8

Photometric performance is measured and scaled in accordance with IESNA LM-79.