

IS-0240-01 rev.00

GRANDE RECESSED INSTALLATION INSTRUCTIONS

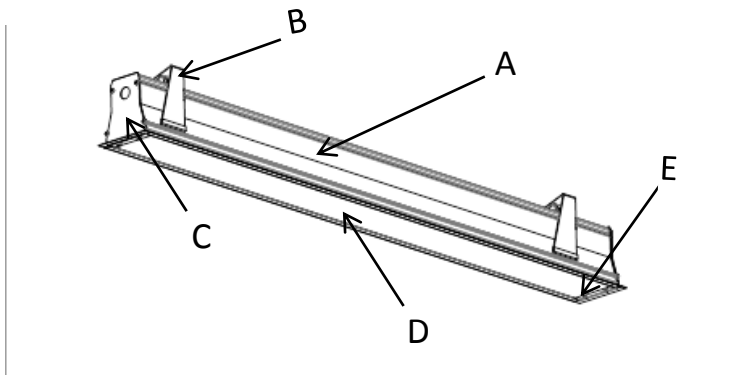
NOTE: The following instructions provide general guidelines for product installation. For additional information consult the applicable electrical codes or contact factory directly for support before attempting anything with uncertainty.

CAUTION: Do not assemble fixture runs on floor.

WARNING: Risk of fire and electrical shock. **DISCONNECT POWER AT ELECTRICAL PANEL** before installing or servicing this product.

General Safety Instructions:

1. Read all instructions prior to installing this fixture.
2. This product must be installed in accordance with the applicable installation code by a person familiar with the construction and operation of the product and the hazards involved.
3. All wiring must be performed by a qualified electrician in accordance with national and local building and electrical codes.
4. This fixture must be suitably grounded for your protection against shock hazards and to assure proper operation.
5. Make sure that the power source conforms to the requirements of this fixture.



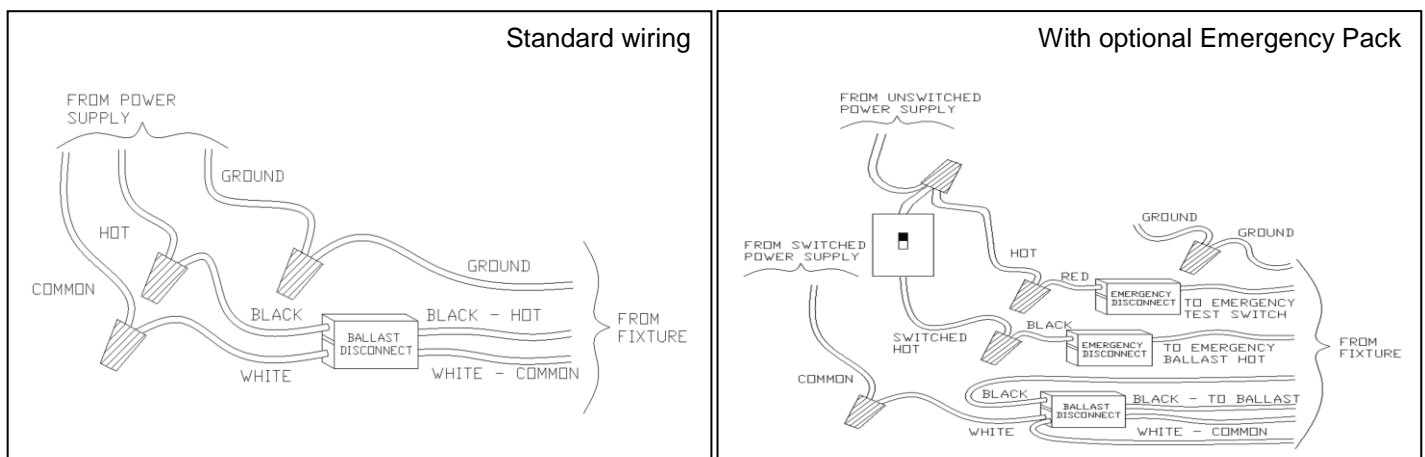
MAIN PARTS LIST:

- A. Luminaire enclosure
- B. Mounting bracket
- C. End plate
- D. Lens
- E. Lens Filler & Magnet

OTHER PARTS:

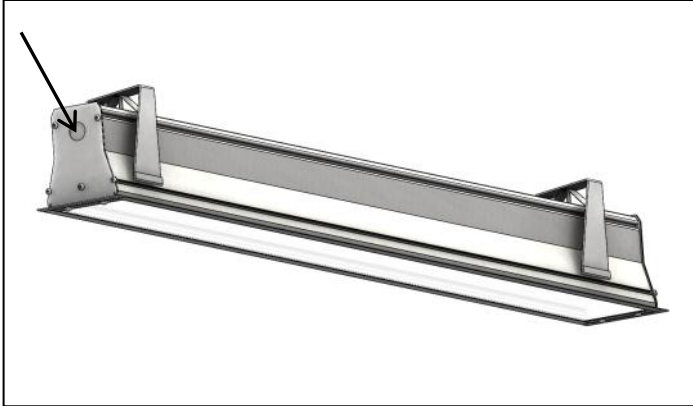
- Reflector
- Lamp (supplied or by others)

Wiring Diagram:

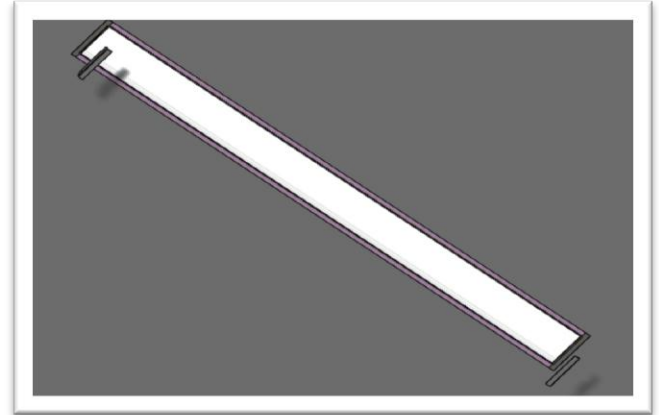


IS-0240-01 rev.00
GRANDE RECESSED
INSTALLATION INSTRUCTIONS

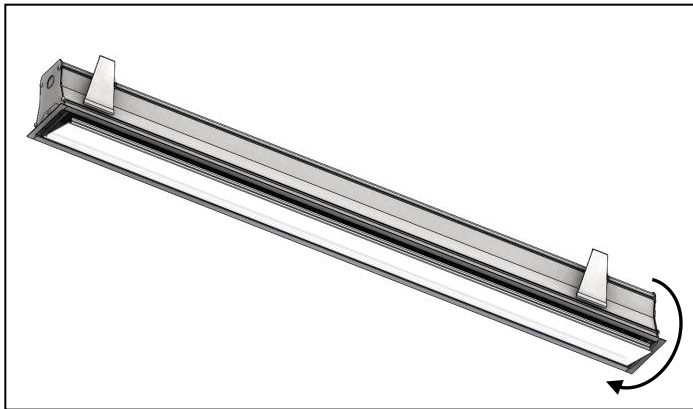
Step-by-step Instructions:



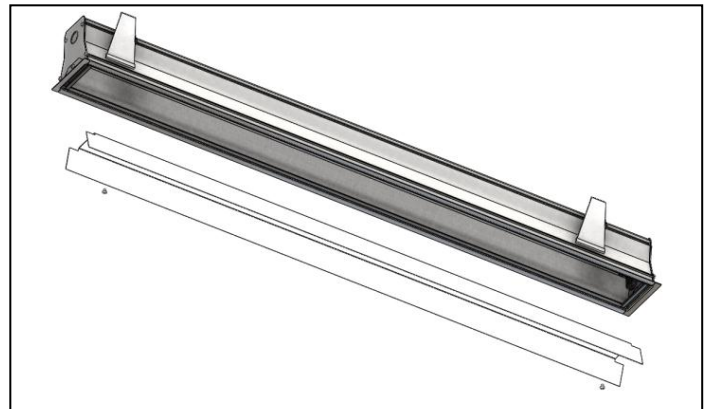
Step 1: Remove fixture packaging; note marked supply wires coming out at one end of the luminaire.



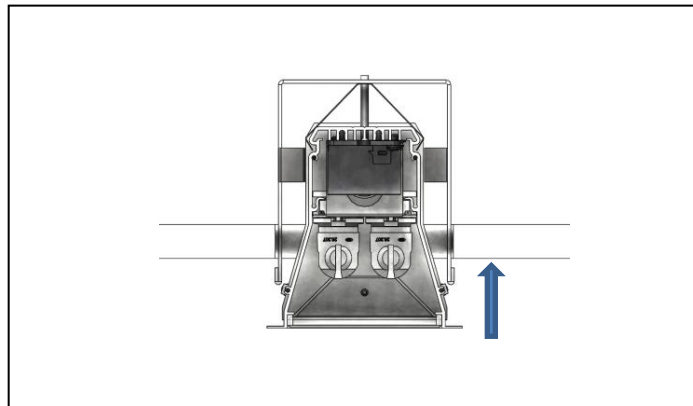
Step 2: Remove lens filler and magnet (E).



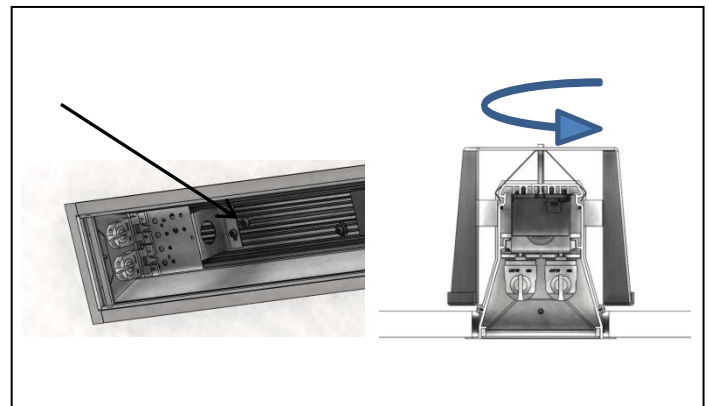
Step 3: Remove lens (D) starting at one end. Pull one side first, rotate and detach. Keep lens.



Step 4: Remove reflector mounting screws and reflector. Note fixtures with optional emergency pack have a test switch and indicator light mounted on the reflector.



Step 5: Bring electrical supply to the fixture as needed. Make sure all mounting brackets (B) are parallel to the luminaire enclosure (A) and insert fixture all the way through the opening in the ceiling.

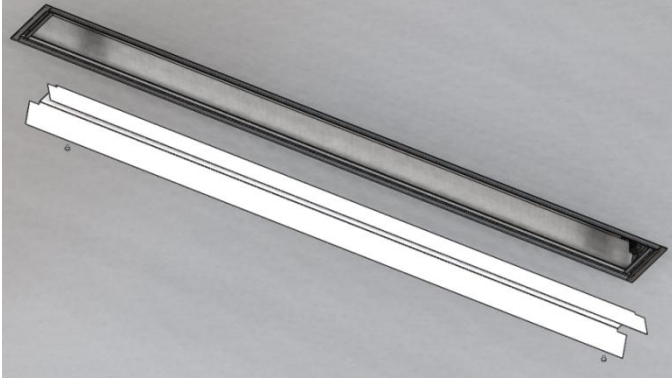


Step 6: Identify mounting screws (start at one end of the fixture). Begin tightening the mounting screws. Mounting brackets will swing out and retain the luminaire in place. Continue to tighten the screws until the luminaire flanges are flush with the ceiling.

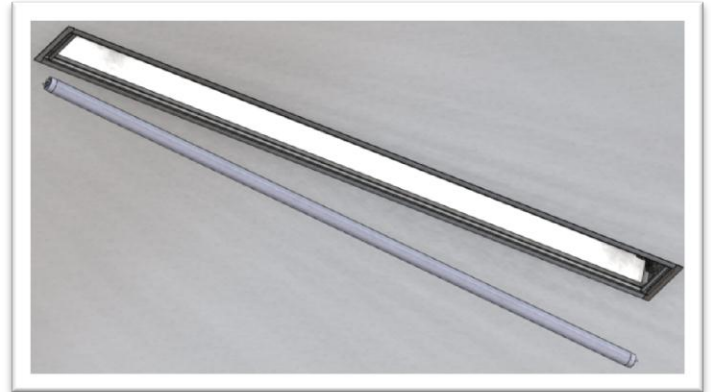
IS-0240-01 rev.00

GRANDE RECESSED INSTALLATION INSTRUCTIONS

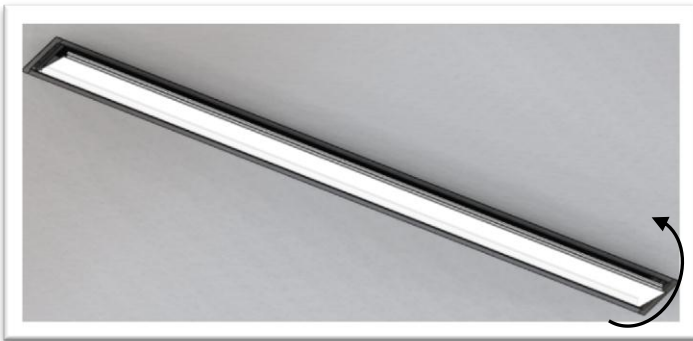
Step-by-step Instructions:



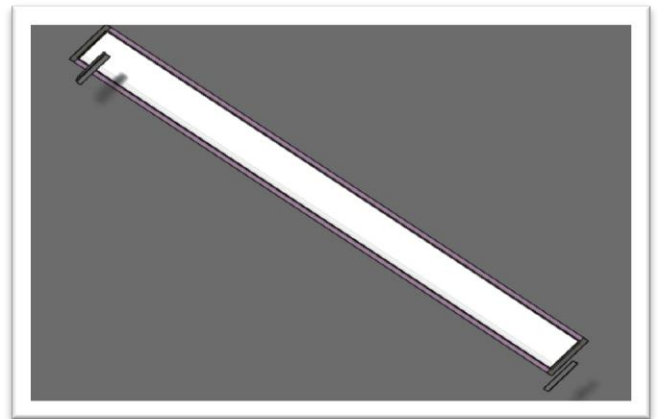
Step 7: Perform electrical wiring inside the fixture and re-attach reflector with (2) mounting screws. Optional emergency ballast must be fed from the same branch circuit as the AC ballast.



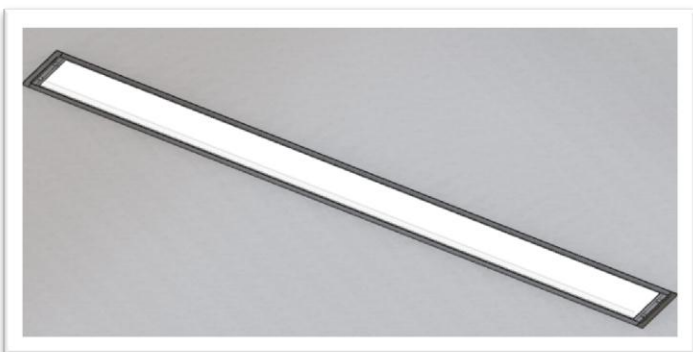
Step 8: Install lamp(s).



Step 9: Re-attach lens. Start with one side first and close the other side starting from the corner.



Step 10: Re-attach the filler and magnet.



Installed fixture.