



NOTE: The following instructions provide general guidelines for product installation. For additional information consult the applicable electrical codes or contact factory directly for support before attempting anything with uncertainty.

CAUTION: Do not assemble fixture runs on floor.

WARNING: Risk of fire and electrical shock. **DISCONNECT POWER AT ELECTRICAL PANEL** before installing or servicing this product.

GENERAL SAFETY INSTRUCTIONS:

1. Read all instructions prior to installing this fixture.
2. This product must be installed in accordance with the applicable installation code by a person familiar with the construction and operation of the product and the hazards involved.
3. All wiring must be performed by a qualified electrician in accordance with national and local building and electrical codes.
4. This fixture must be suitably grounded for your protection against shock hazards and to assure proper operation.
5. Make sure that the power source conforms to the requirements of this fixture.

Specifications and design subject to change without notice.

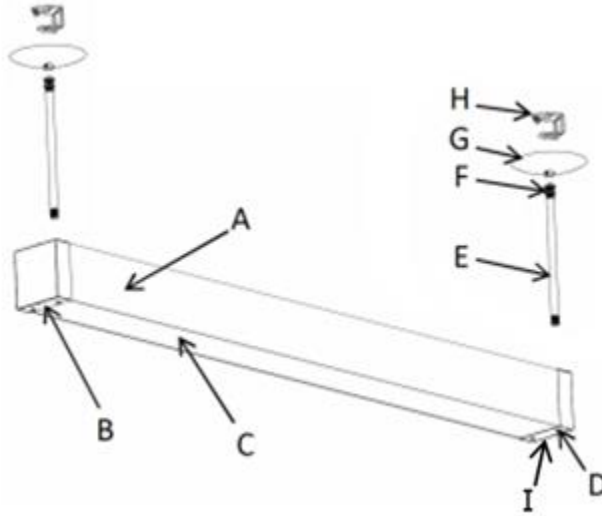
PARTS LIST

MAIN PARTS

- A. Luminaire enclosure
- B. End plate
- C. Lens
- D. End screw
- E. Stem
- F. Hex Nut
- G. Canopy
- H. Hanger bracket
- I. Joiner plate (Middle and Start units only)

OTHER PARTS

- Reflector/LED board assembly
- Electrical switch box (by others)
- Fasteners (by others)



REQUIRED TOOLS

- Plastic/Latex Gloves
- Screwdriver

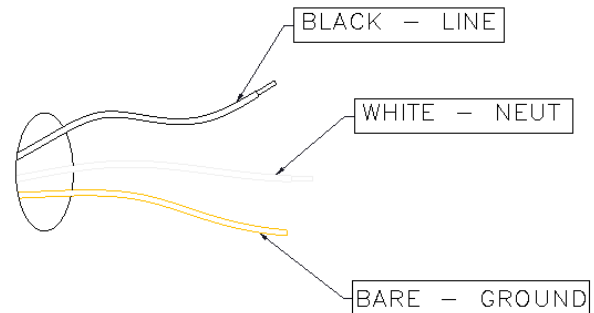
WIRING DIAGRAMS

STANDARD WIRING

(5) LEADS



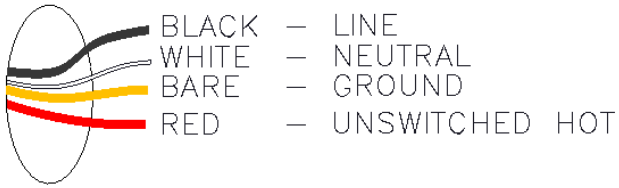
WITH OPTIONAL EMERGENCY PACK



Specifications and design subject to change without notice.

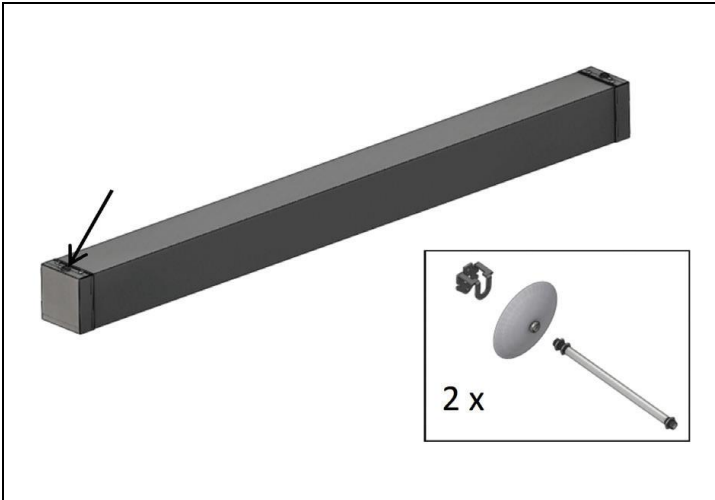
WITH OPTIONAL BATTERY PACK

(4) LEADS

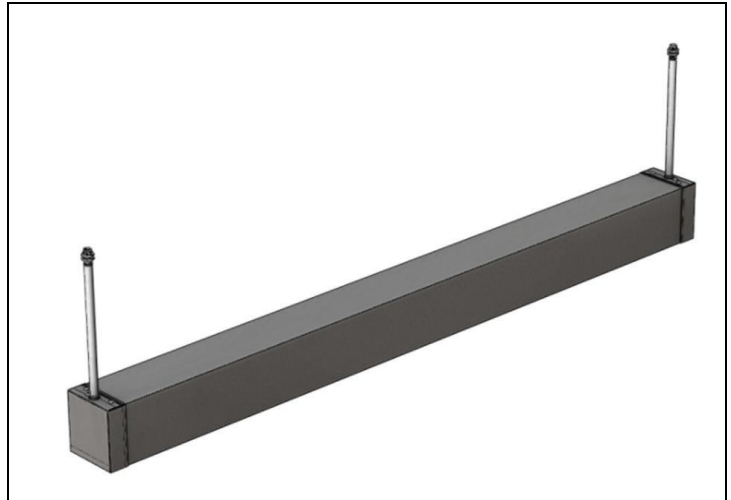


Specifications and design subject to change without notice.

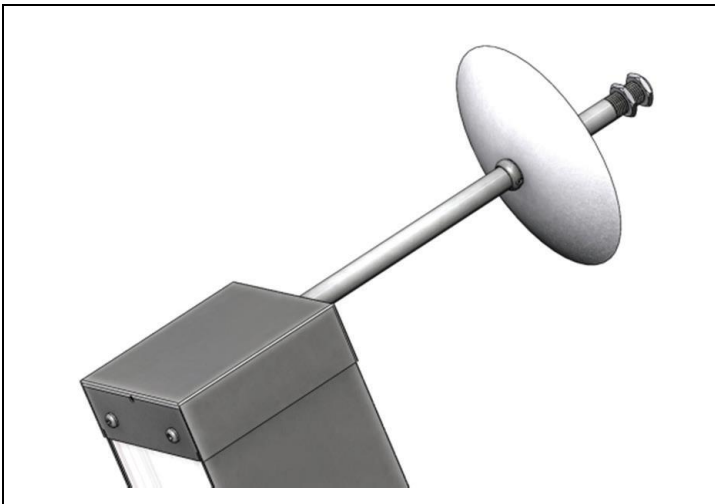
STEP-BY-STEP INSTRUCTIONS



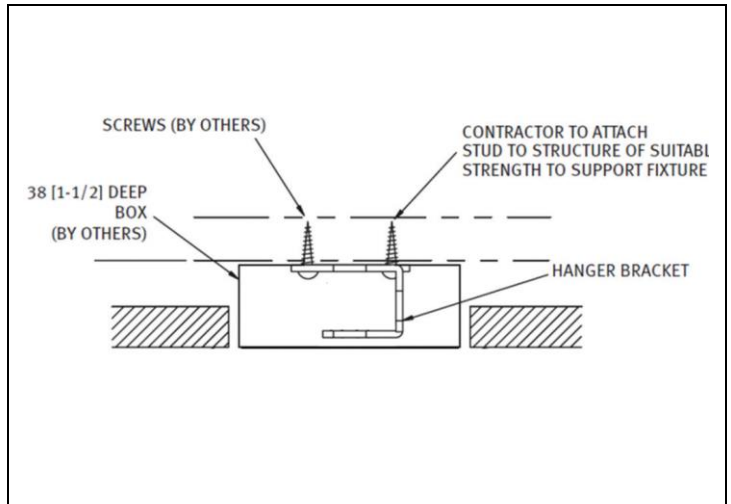
STEP 1. Remove fixture and stem kit packaging; note marked supply wires coming out at the top of the luminaire (one end only).



STEP 2. Route wires through one stem (E). Attach stems to thread mounting brackets at the top of the luminaire enclosure (A) – one at each end.



STEP 3. Remove hex nuts (F) at the end of the stems, loosen set screw on the canopy slip ring and attach one canopy (G) to each stem. Re-attach hex nut to the end of the stems; space nuts about 15mm apart.

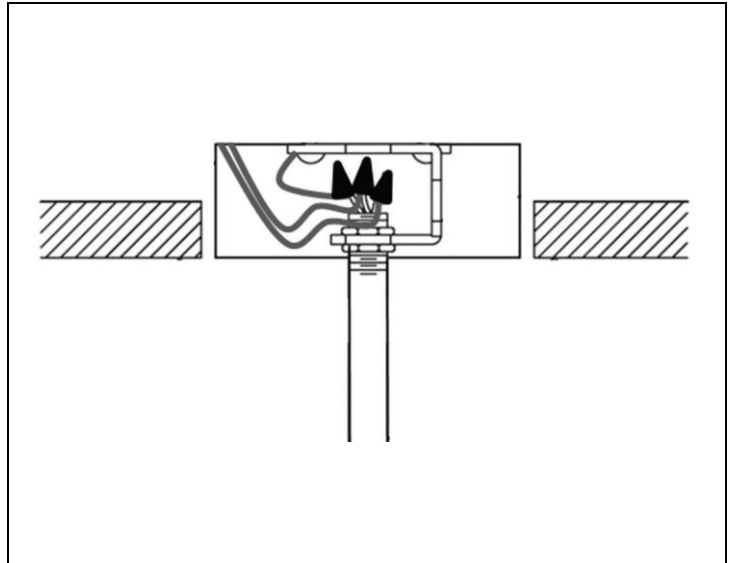


STEP 4. Attach both hanger brackets (H) to proper structure. One bracket needs to be attached inside electrical box with wires ready for electrical connections.

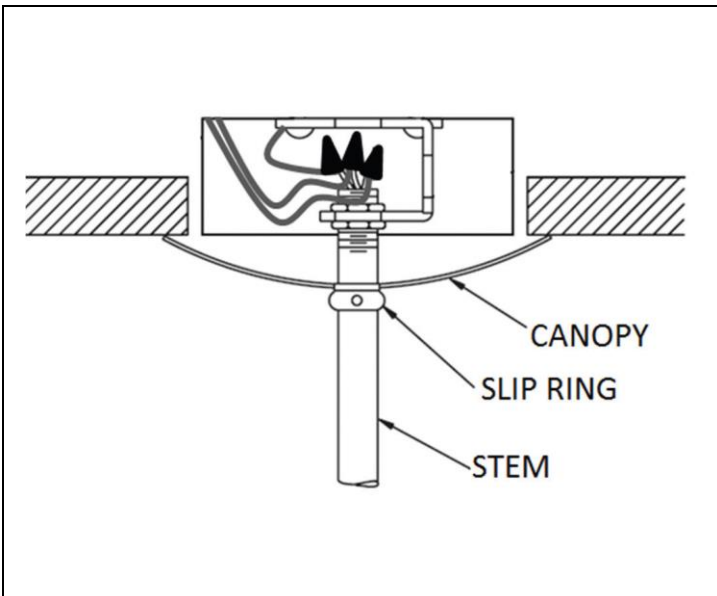
Specifications and design subject to change without notice.



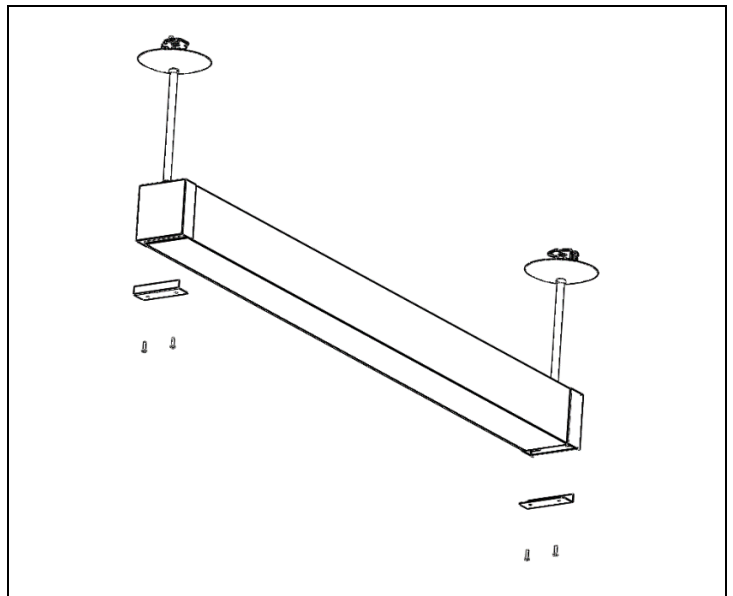
STEP 5. Attach both stems to hanger brackets.



STEP 6. Perform electrical wiring. Optional emergency driver must be fed from the same branch circuit as the AC ballast. Connect low voltage dimming leads.

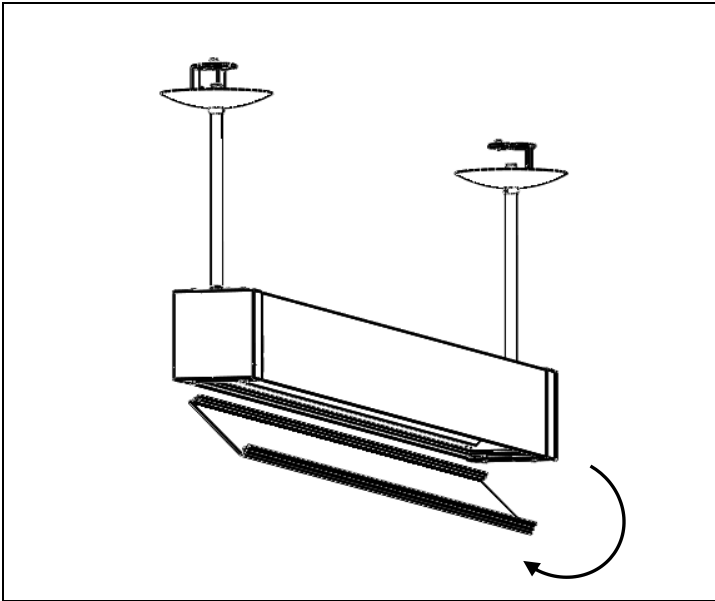


STEP 7. Adjust hex nuts and stems as needed to level fixture. Adjust and lock canopy in place by tightening the set screw on the canopy slip ring.

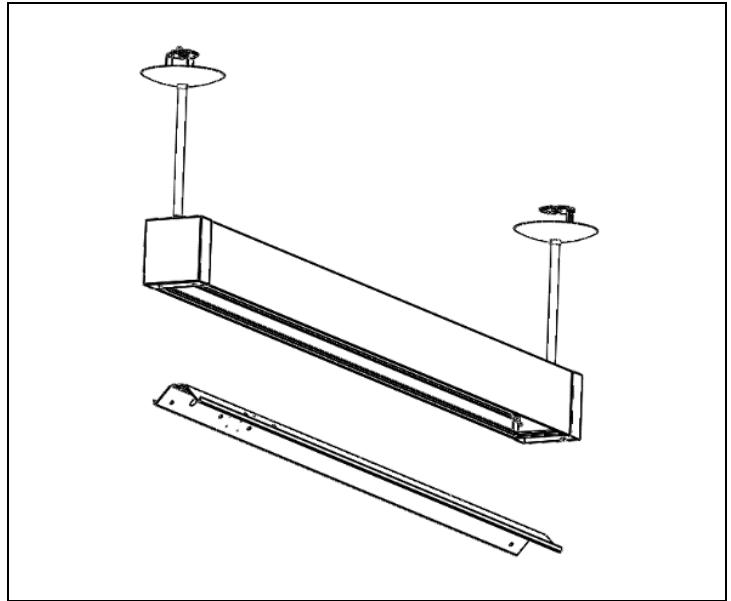


STEP 8. Perform this step only to gain access to optional emergency/battery pack. Remove end screws (D) and end plate (B).

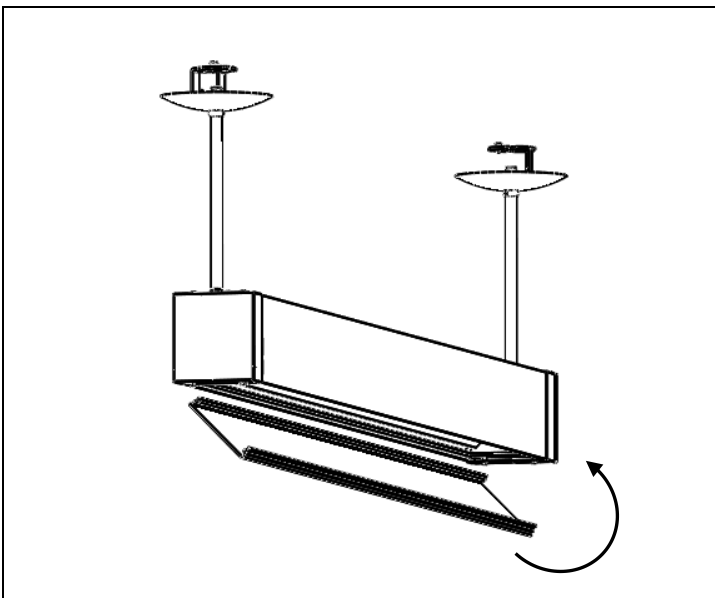
Specifications and design subject to change without notice.



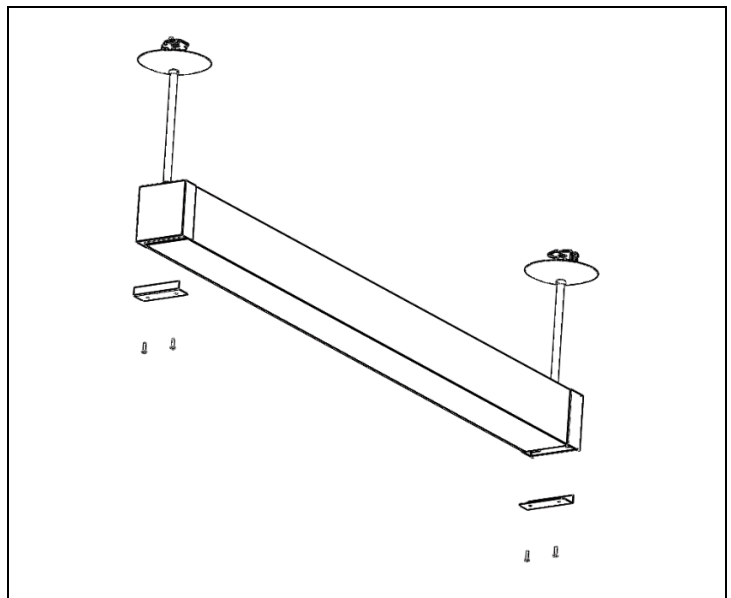
STEP 9. Perform this step only to gain access to optional emergency/battery pack. Remove lens (C) starting at one end. Pull one side first, rotate, and detach.



STEP 10. Perform this step only to gain access to optional emergency/battery pack. Remove reflector mounting screws and reflector. Note fixtures with optional emergency pack have a test switch and indicator light mounted on the reflector. Re-attach reflector with (2) mounting screws.

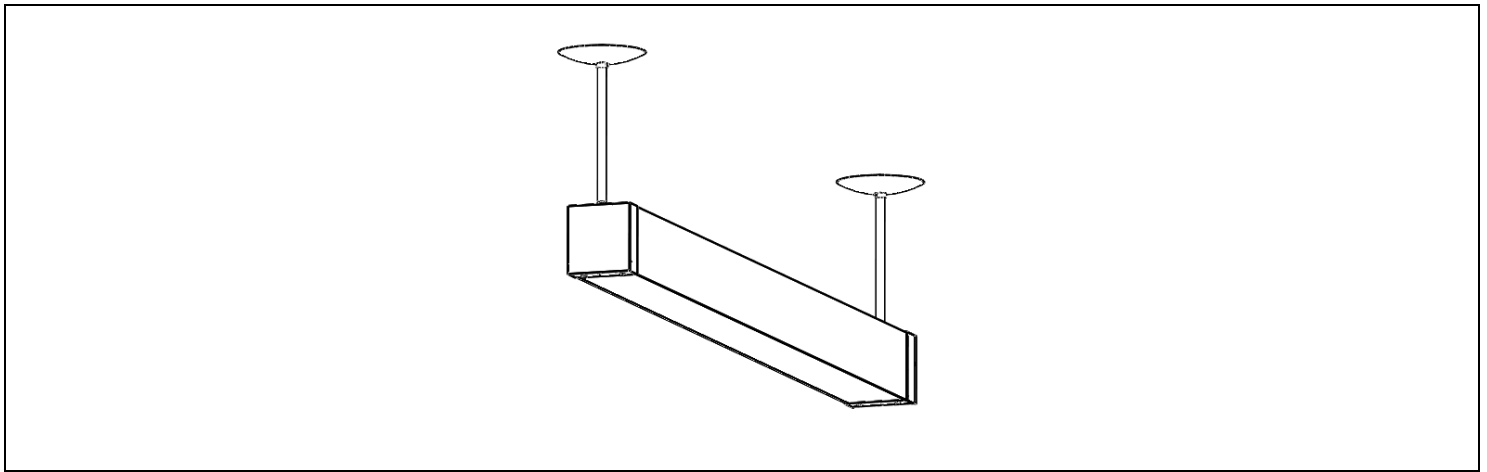


STEP 11. Perform this step only to gain access to optional emergency/battery pack. Re-attach lens. Start with one side first and close the other starting from the corner. Make sure lens gaskets are in place and compressed between lens and fixture housing.

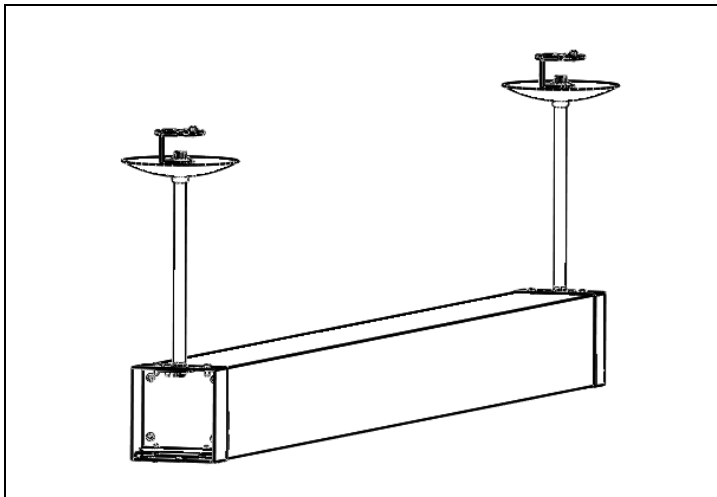


STEP 12. Perform this step only to gain access to optional emergency/battery pack. Re-attach end plates with (4) end screws.

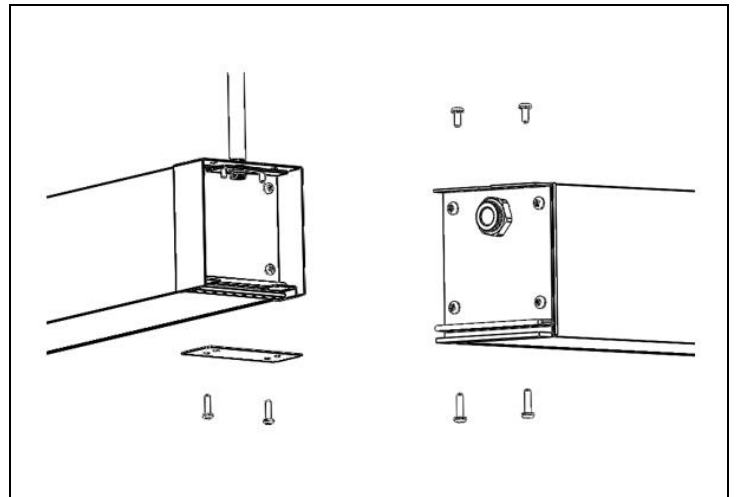
Specifications and design subject to change without notice.



STEP 13. Example of completed fixture.

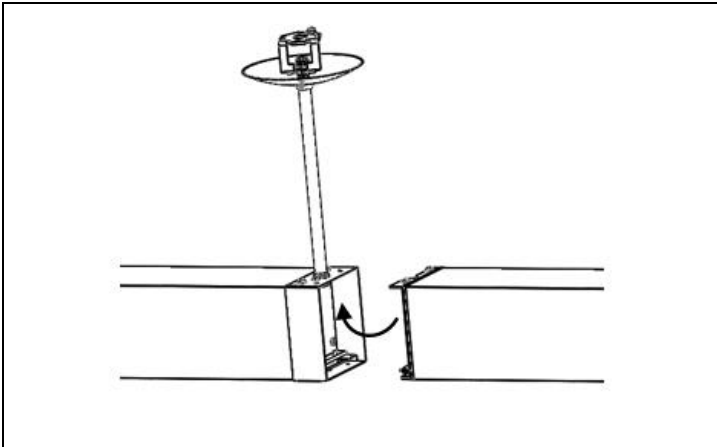


STEP 14. For continuous runs, install Start fixture first (As per Steps 1 to 13). Do not apply power.

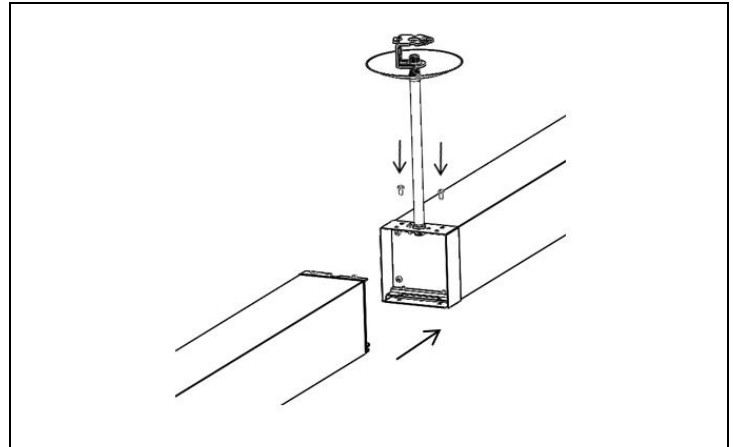


STEP 15. At the joiner end of the Start fixture: remove end screws (D) and joiner plate (I). Also remove all end screws, end plates (B) and joiner plates from the next fixture to be installed in the row (Middle or End). Keep all parts.

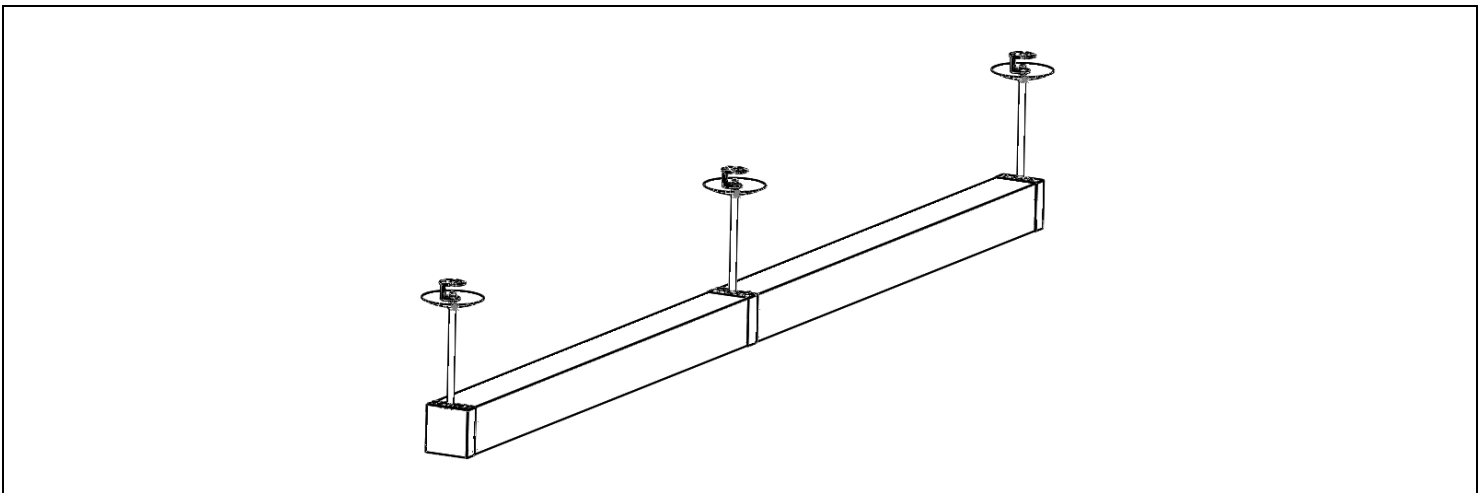
Specifications and design subject to change without notice.



STEP 16. Set up the Middle/End fixture for mounting (See Step 3 and 4). Route wires from Middle/End fixture through the stem connected to the Start fixture joiner end, and up into the junction box.



STEP 17. Align Middle/End fixture and slide it into place. Attach the Middle/End stem to the installed hanger bracket to support the other end. Perform necessary wiring. Re-attach the (2) top end screws to the joined section.



STEP 18. Example of completed continuous run. Repeat Steps 15-17 for remaining fixture installations as needed.

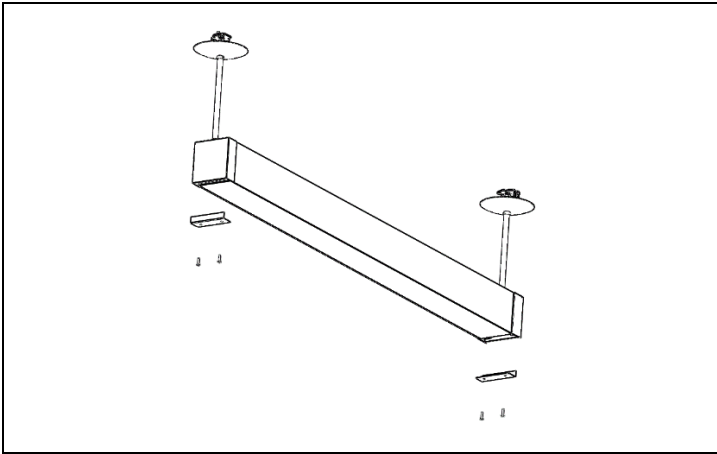
Specifications and design subject to change without notice.

MAINTENANCE

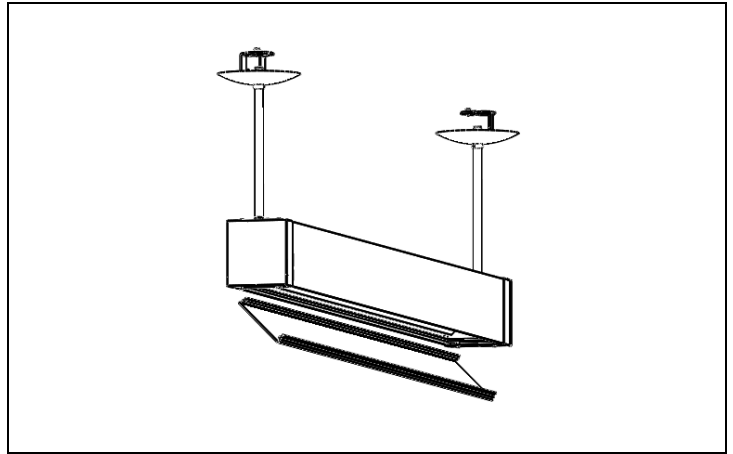
REQUIRED TOOLS:

- Plastic / Latex Gloves
- Screwdriver

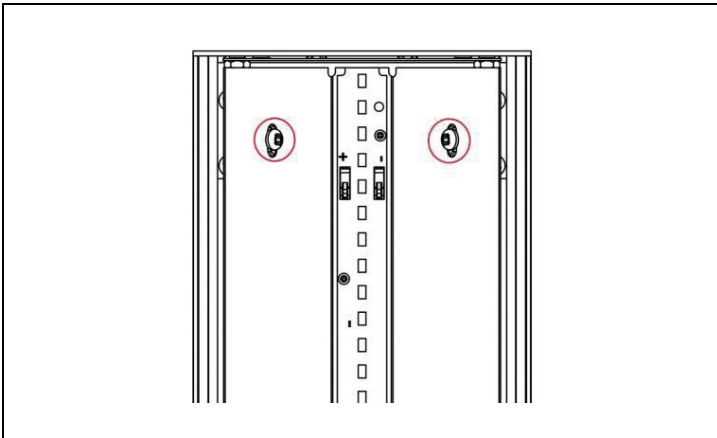
Important: Use clean gloves to avoid adding oil/dirt to reflector surface. Avoid scratching reflector surface by using installation tools with soft plastic rounded edges.



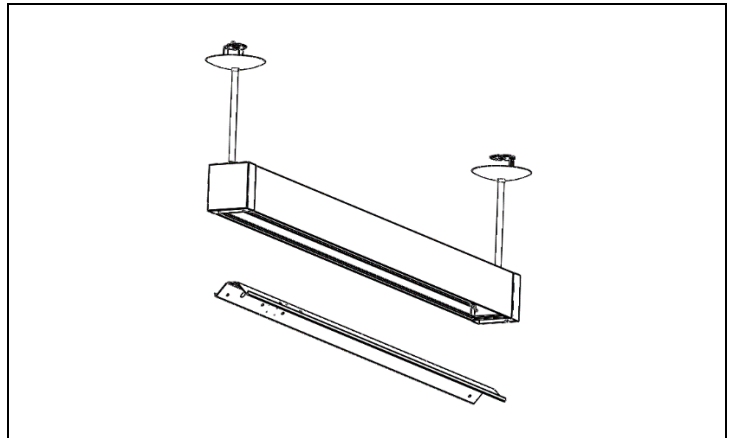
STEP 1. For LED board maintenance, remove the end screws (D) and end plates (B) from the bottom of the unit.



STEP 2. Remove lens (C) starting at one end. Pull one side first, rotate, and detach.

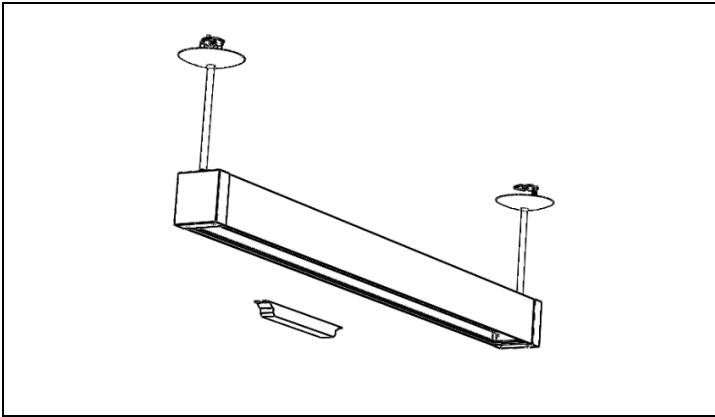


STEP 3. For driver maintenance, first unscrew the reflector assembly.



STEP 4. Remove reflector assembly from unit.

Specifications and design subject to change without notice.



STEP 5. Remove and service driver as required.

Specifications and design subject to change without notice.