

**MEGA M4PI/M4P PENDANT**  
**DIRECT/INDIRECT INTEGRAL DRIVER**  
INSTALLATION INSTRUCTIONS

**NOTE**

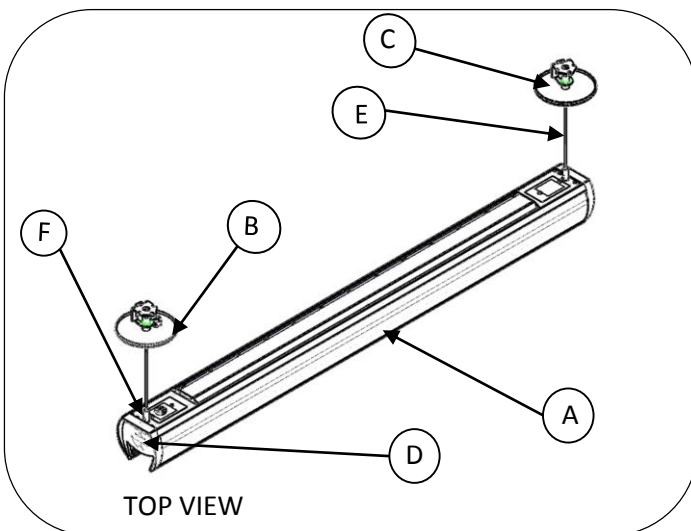
The following instructions provide general guidelines for product installation. These instructions apply to the A4PI and M4PI sized fixtures. For additional information consult the applicable electrical codes or contact factory directly for support before attempting anything with uncertainty.

**WARNING**

Risk of fire and electrical shock. **DISCONNECT POWER AT ELECTRICAL PANEL** before installing or servicing this product.

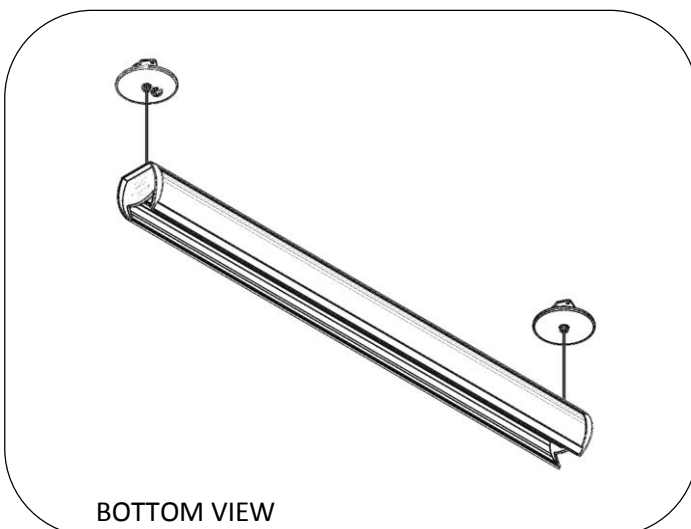
**GENERAL SAFETY INSTRUCTIONS**

- Read all instructions prior to installing this fixture.
- This product must be installed in accordance with the applicable installation code by a person familiar with the construction and operation of the product and the hazards involved.
- All wiring must be performed by a qualified electrician in accordance with national and local building and electrical codes.
- This fixture must be suitably grounded for your protection against shock hazards and to assure proper operation.
- Make sure that the power source conforms to the requirements of this fixture.

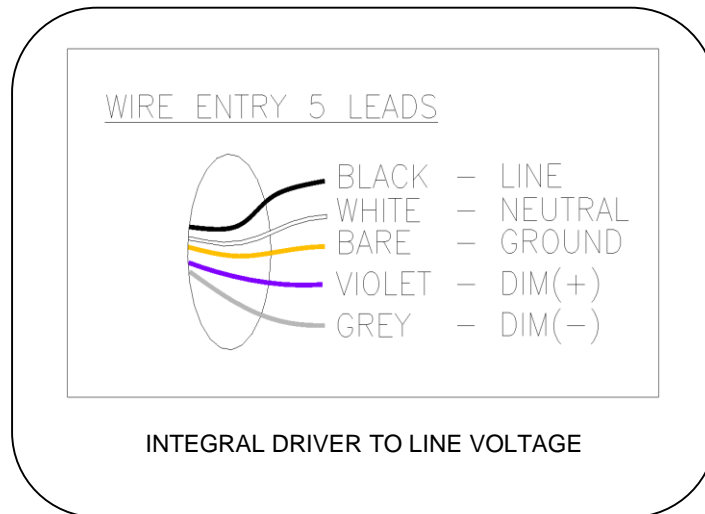


**PARTS LIST:**

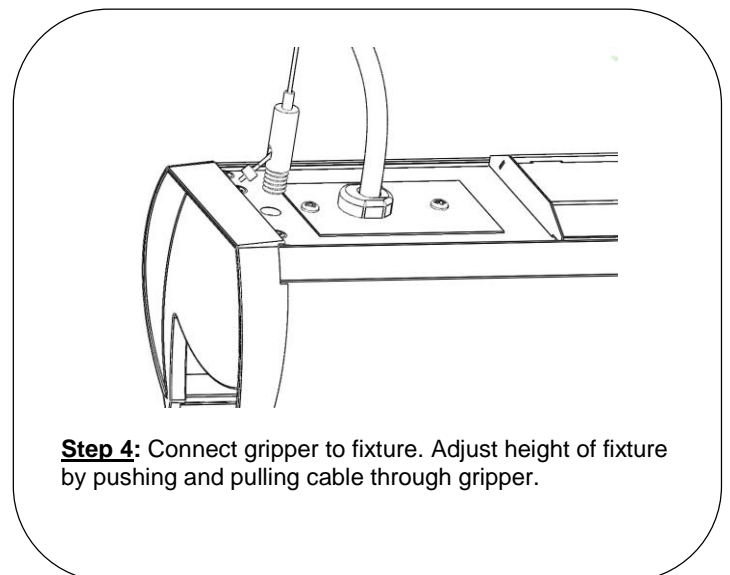
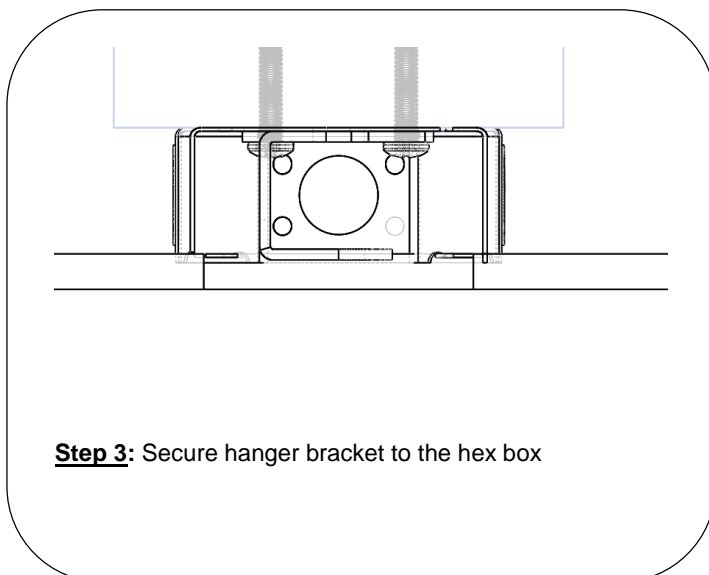
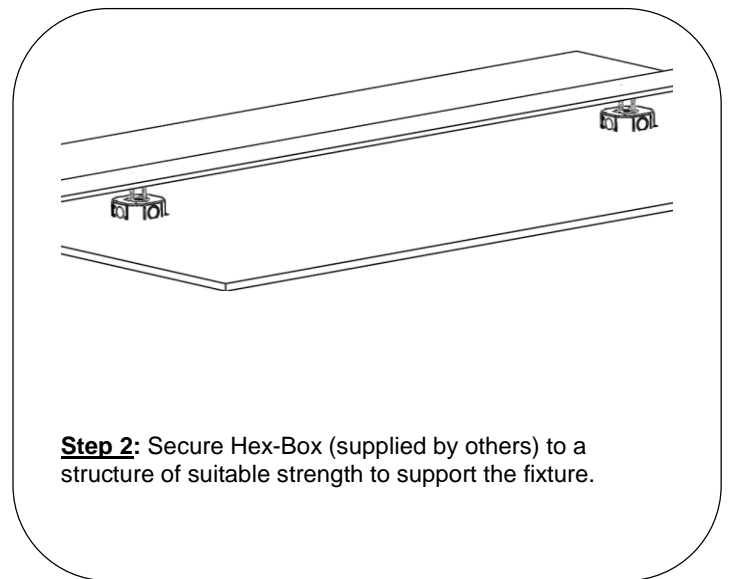
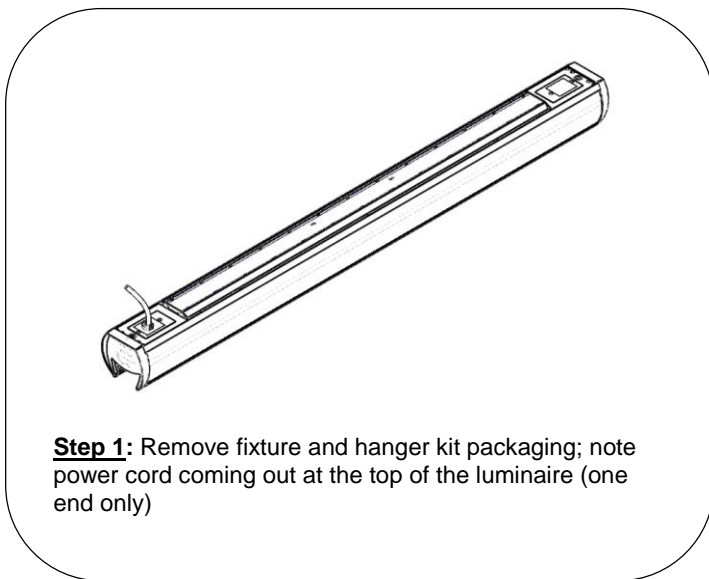
- A. Luminaire
- B. Wire entry canopy
- C. Non-Wire entry canopy
- D. End Cap
- E. Aircraft Cable
- F. Gripper

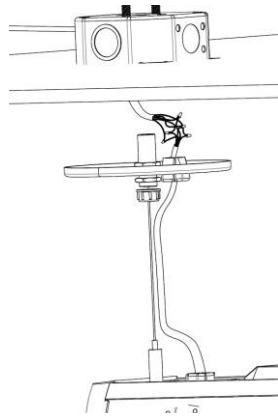


**WIRING DIAGRAM**

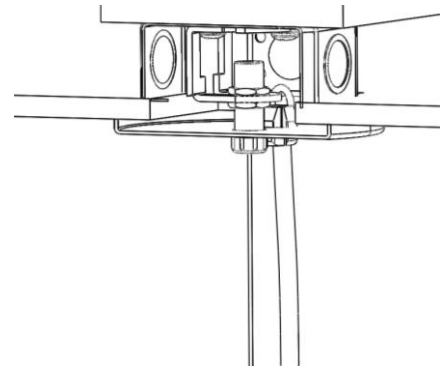


**INSTALLATION STEPS**

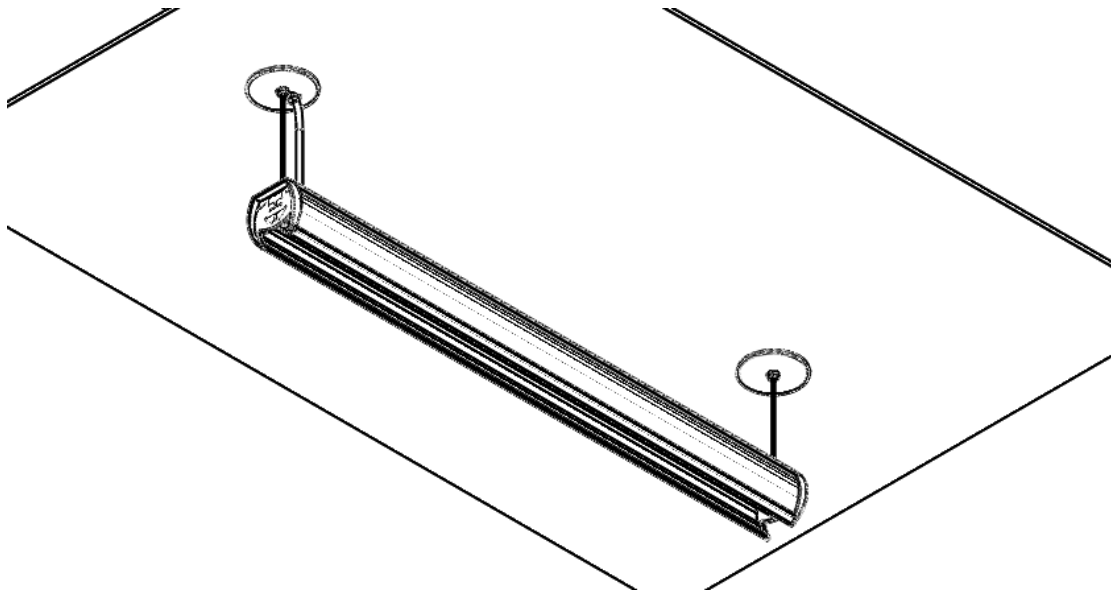




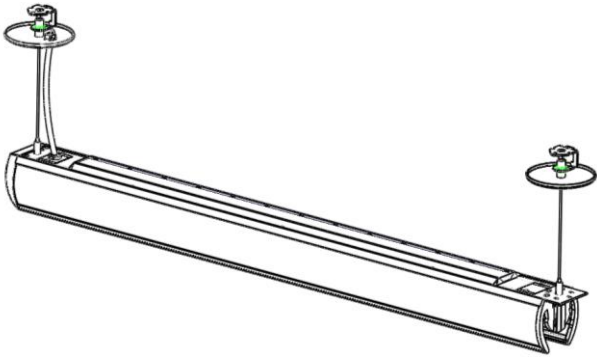
**Step 5:** Wire fixture to line voltage.



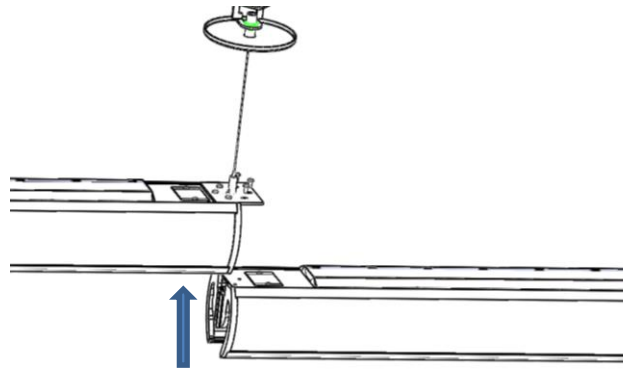
**Step 6:** Secure canopy to ceiling.



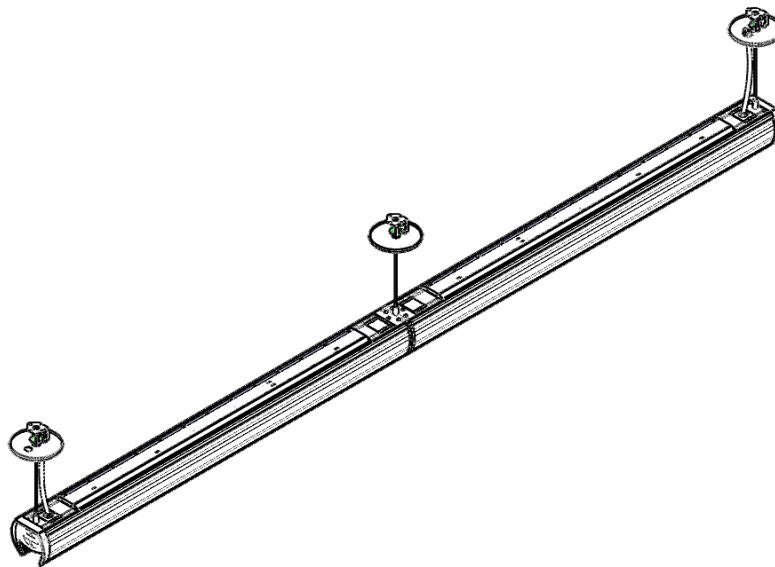
**Step 7:** Example of completed fixture.



**Step 8:** For continuous runs, install Start fixture first. (As per Steps 1 to 7)



**Step 9:** Align End fixture and slide it into place. Secure with screws.



**Step 10:** Example of completed continuous run.

**MAINTENANCE STEPS**

**Required Tools:**

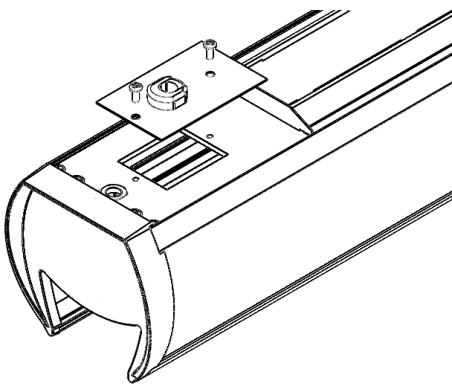


PLASTIC / LATEX GLOVES

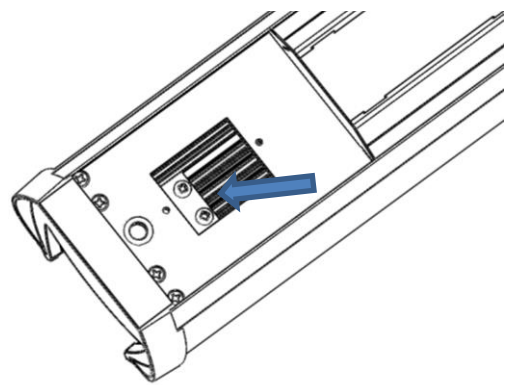


SCREWDRIVER

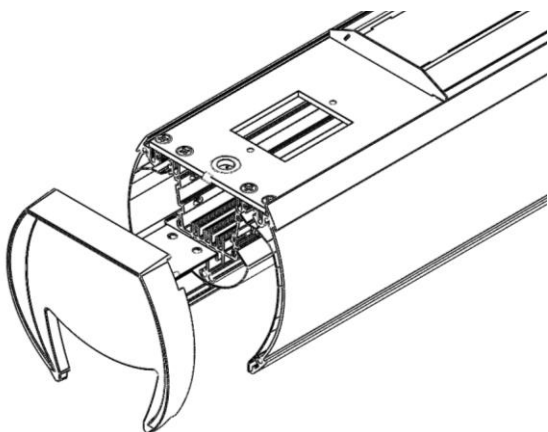
*Important: Use clean gloves to avoid adding oil/dirt to reflector surface. Avoid scratching reflector surface by using installation tools with soft plastic rounded edges.*



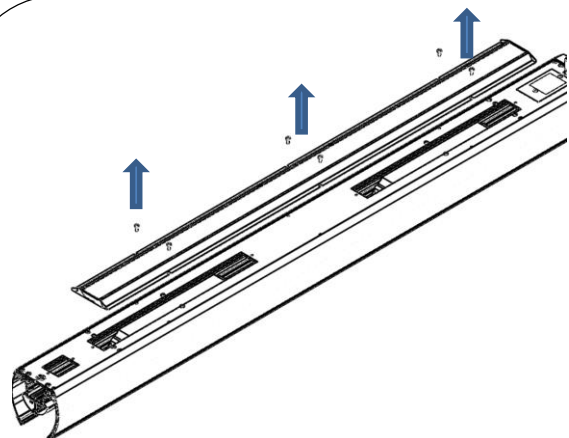
**Step 1:** For LED board maintenance, begin by first unscrewing the end access panel.



**Step 2:** Unscrew the 2 screws securing the end cap.



**Step 3:** Remove end-cap.



**Step 4:** For Direct/Indirect fixtures, unscrew and remove the indirect assembly (if equipped).

