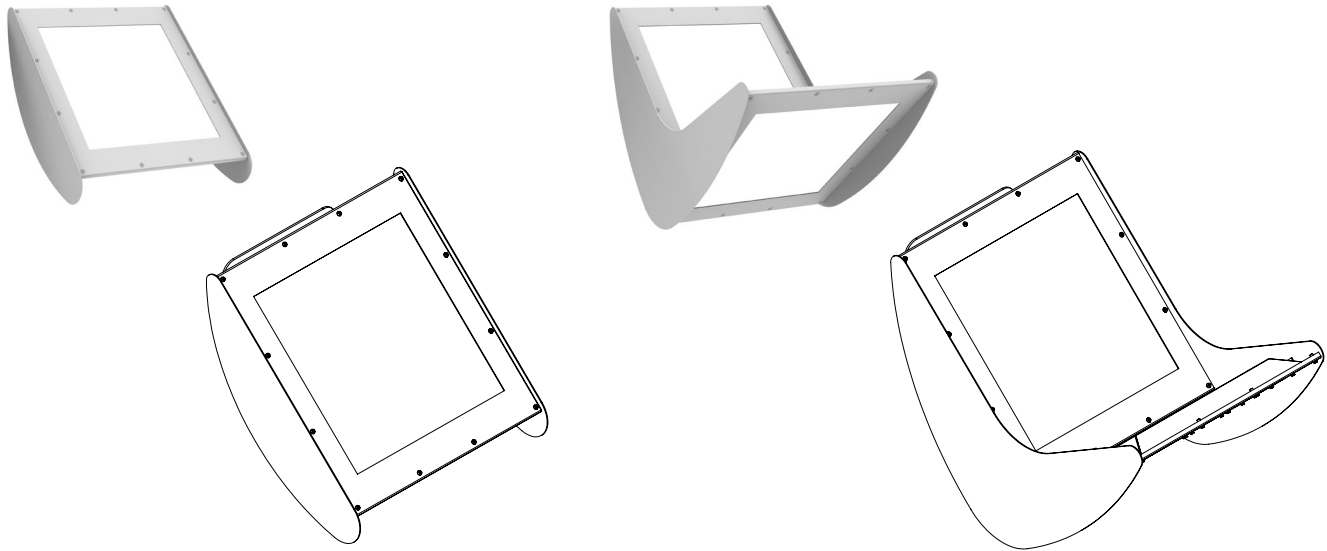


INSTALLATION INSTRUCTIONS

NATA

NATAI/NATADI Single Wall Integral/Remote Driver



NOTE: The following instructions provide general guidelines for product installation. These instructions apply to NATA fixtures. For additional information consult the applicable electrical codes or contact factory directly for support before attempting anything with uncertainty.

WARNING: Risk of fire and electrical shock. DISCONNECT POWER AT ELECTRICAL PANEL before installing or servicing this product.

GENERAL SAFETY INSTRUCTIONS:

1. Read all instructions prior to installing this fixture.
2. This product must be installed in accordance with the applicable installation code by a person familiar with the construction and operation of the product and the hazards involved.
3. All wiring must be performed by a qualified electrician in accordance with national and local building and electrical codes.
4. This fixture must be suitably grounded for your protection against shock hazards and to assure proper operation.
5. Make sure that the power source conforms to the requirements of this fixture.
6. Class 1 luminaire.
7. Minimum installation height must be 12' from the floor.
8. Fixture can only be serviced by certified personnel.

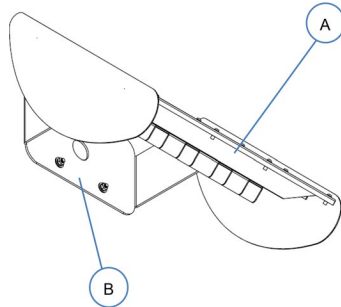
PARTS LIST

NATAI

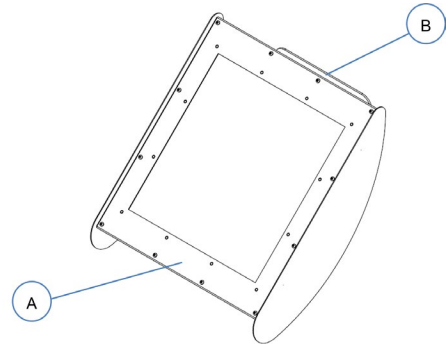
**INDIRECT,
INTEGRAL/ REMOTE DRIVER**

- A. Luminaire fixture
- B. Fixture mounting bracket

Bottom View



Top View

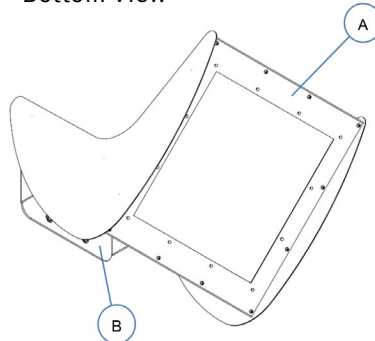


NATADI

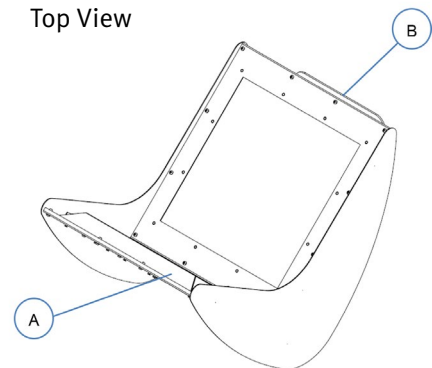
**DIRECT-INDIRECT,
INTEGRAL/REMOTE DRIVER**

- A. Luminaire fixture
- B. Fixture mounting bracket

Bottom View



Top View



WIRING DIAGRAMS

FIGURE 1

REMOTE/INTEGRAL DRIVER TO LINE VOLTAGE



FIGURE 2

FIXTURE TO REMOTE DRIVER BOX

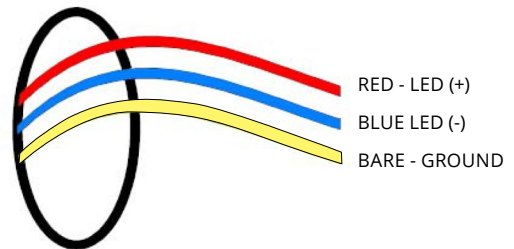
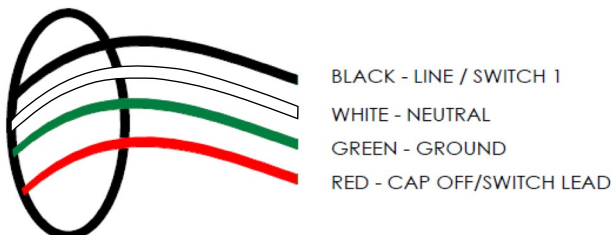
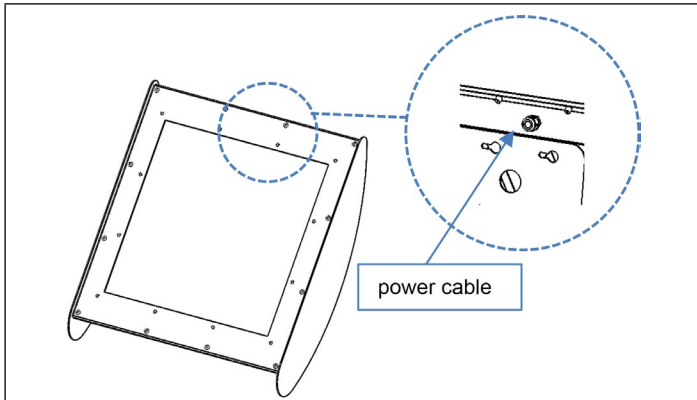


FIGURE 3

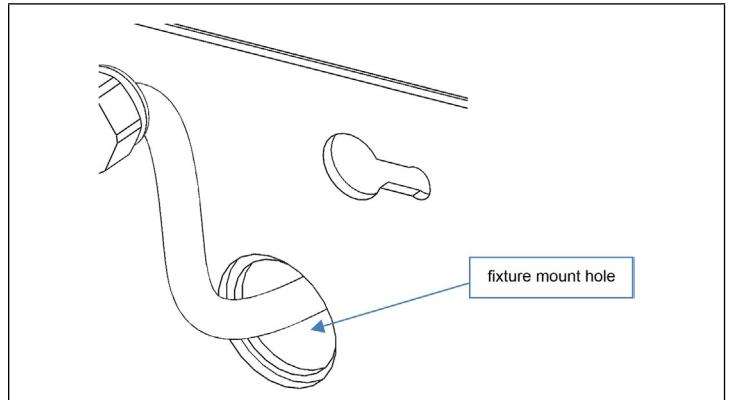
REMOTE / INTEGRAL DRIVER TO LINE VOLTAGE WITH
UP/DOWN SWITCHING



INSTALLATION STEPS

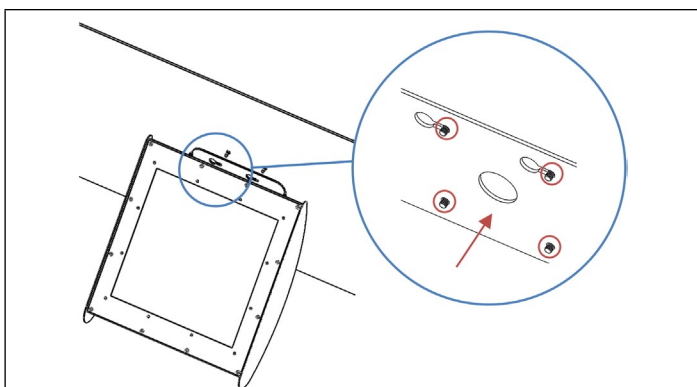
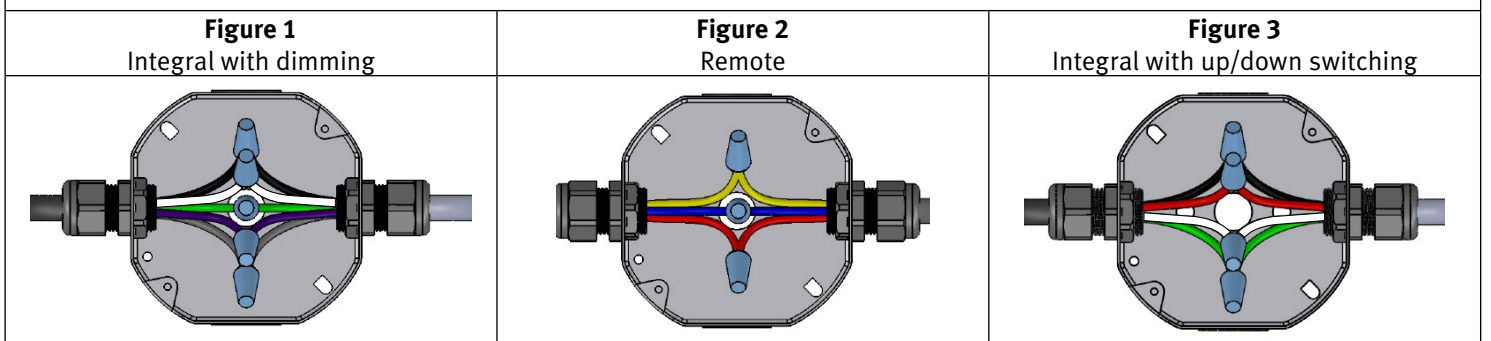


STEP 1. Remove fixture from packaging. Note that power cable comes out from back of fixture.

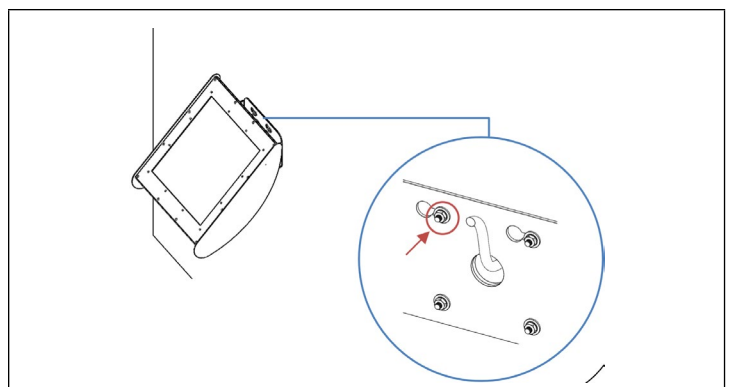


STEP 2. Feed cable through fixture mount hole and position fixture near mounting location.

STEP 3. Wire fixture using waterproof wire nuts (supplied by others). Refer to provided wiring diagram. **Figure 1** for integral with dimming. **Figure 3** for integral with up/down switching, and **Figure 2** for remote. Enclose wire connections into junction box (supplied by others).

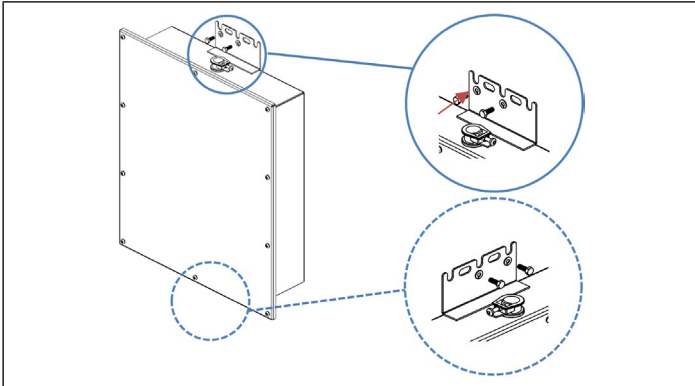


STEP 4. Mount fixture by aligning holes on fixture mount with anchor bolts (supplied by others) secured to wall.

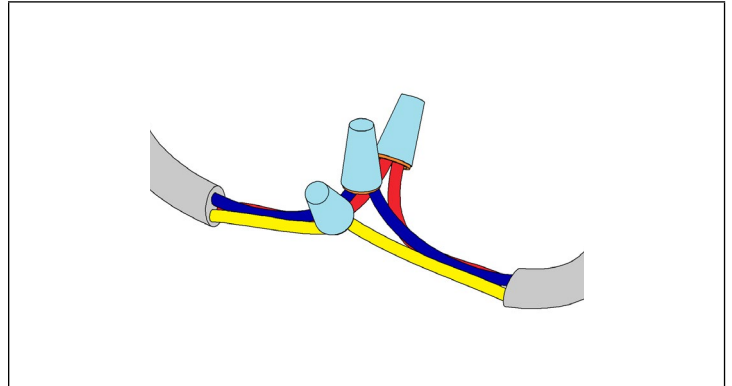


STEP 5. Secure fixture to the wall using #1/4-20 hex nuts and lock washer (supplied by others).

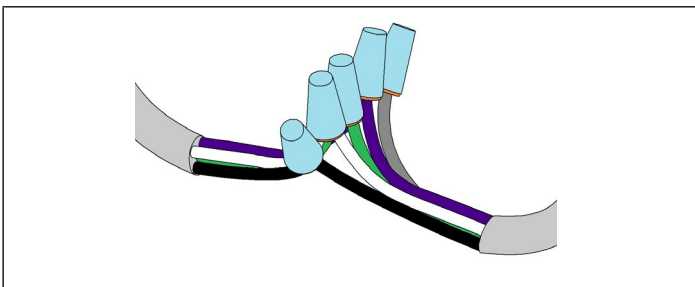
INSTALLATION STEPS



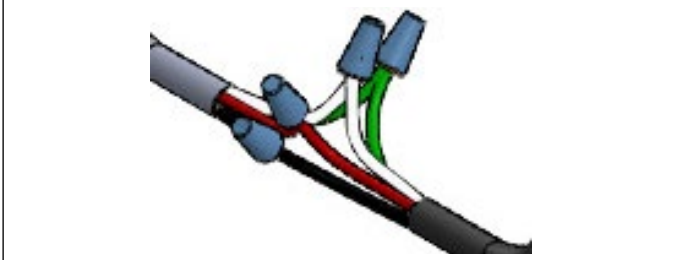
STEP 6. For remote driver configuration, install remote driver box at suitable location by using structural aluminum bolts, minimum of #10-24 (supplied by others). (Water tight BX-cable connector supplied by others)



STEP 7. Connect wires from driver to the fixture using waterproof wire nuts (supplied by others) inside the driver box through water tight BX-cable connector (supplied by others). Refer to wiring diagram (**Figure 2**).



Refer to Wiring Diagram (**Figure 3**) for up/down switching



STEP 8. Connect wires from driver to the control panel using waterproof wire nuts (supplied by others) inside the driver box. Refer to wiring diagram (**Figure 1**) for dimming.

MAINTENANCE

REQUIRED TOOLS:

Plastic/Latex
Gloves



Screwdriver

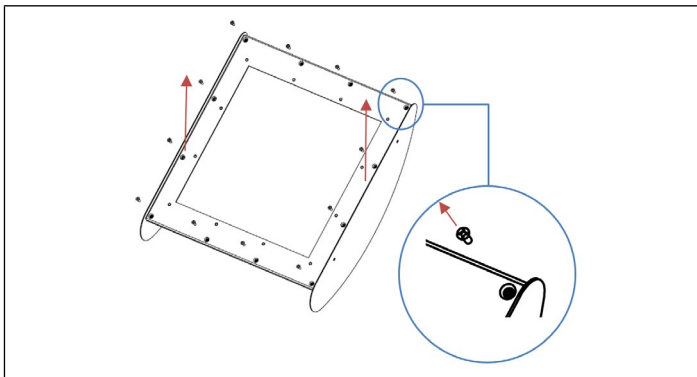


IMPORTANT: Use clean gloves to avoid adding oil/dirt to optics. Avoid scratching optics by using installation tools with soft plastic rounded edges

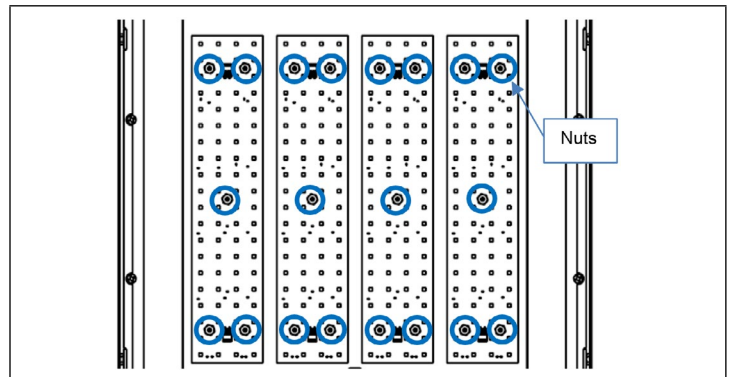
TO CLEAN THE OPTICS (FROM OUTSIDE ONLY):

- Gently wipe down the optics with a clean, dry cloth to remove any dust and light residues.
- For heavier smudges, spray clean cloth with mild soap and water solution and gently wipe optics surface.

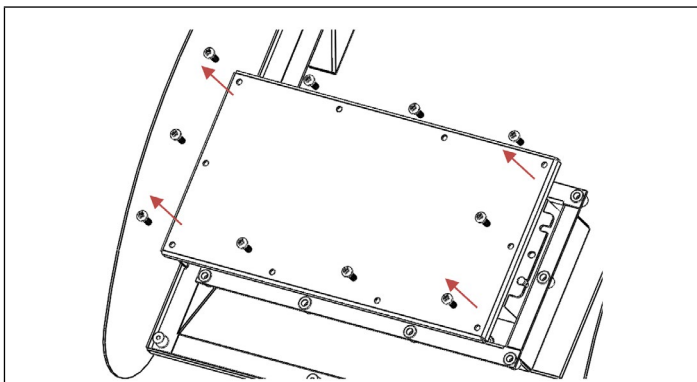
WARNING: DO NOT OPEN THE FIXTURE for cleaning purpose. Hard wiping and abrasive cloths will scratch the optics. DO NOT USE cleaning products containing alcohol or acetone which will damage the optics.



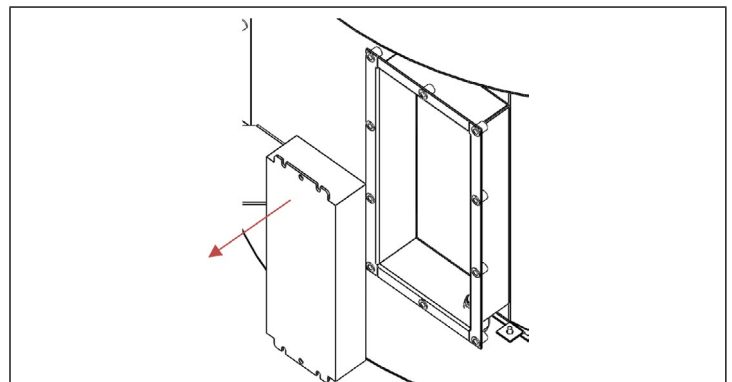
STEP 1. For LED board maintenance, remove the door assembly by loosening mounting screws.



STEP 2. Disconnect wires from LED boards before removing them. Unscrew nuts to remove the LED boards from fixture.



STEP 3. For LED driver maintenance, loosen screws that secure the driver box cover. Note that driver box is found at the back of the fixture (integral) or in remote location.



STEP 4. Disconnect power and wire connections. Remove and service LED driver as required.