

NATA NATAI

LED . INDIRECT



PART #:	
PREP BY:	DATE:
PROJECT:	
NOTES:	
APPROVAL SIGNATURE:	DATE (DD/MM/YYYY):

PERFORMANCE SUMMARY at 4000K	LIGHT LEVEL L1
Lumens	15506
Wattage	128.6
Efficacy	121
Color Rendering (CRI) ¹	80+
L70 Estimate (h)	> 60,000 hrs

¹ For CRI 90, please refer to Lumen Adjustment Factor chart below.

FEATURES

- Efficacy up to 121 LPW
- 80+ CRI is standard with option of 90 CRI
- IP65

ORDERING STEPS:	1. Complete ORDERING LOGIC.	2. Complete MOUNTING KITS on page 2.
------------------------	------------------------------------	---

1. ORDERING LOGIC

Example Part Number: NATAI-18L40K-NC-NW-L21-1-R-90

QTY	NATA I	1	2	NC	3	4	5	6	1	7	8	9	10	11	12
1. MODEL / SIZE		2. COLOR TEMP		3. OPTICS UP		4. OPTICS DOWN		5. FINISH			6. LIGHT LEVEL / DRIVER				
I Indirect Only		18L30K 3000K 18L35K 3500K 18L40K 4000K		NC Nata Clear Lens		— None (leave space empty)		NW Natatorium White NC Natatorium Custom Specify RAL:			L1 L2* See "Light Level Performance at 4000K" chart below				
		90 CRI is available under OPTIONS									* L2 is remote driver only				
7. CIRCUITRY		8. MOUNTING		9. VOLTAGE		10. CONTROLS		11. DRIVER LOCATION		12. OPTIONS					
1 1 Circuit		Select Mounting Kit in STEP 2.		1 120V 2 277V 3 347V 4 UNV (120 - 277V)		— None (leave space empty)		I Integral R Remote		90 90 CRI, High R9 RK Retrofit Kit ** _ None (leave space empty)					
										** Fixture includes mounting bracket to adapt NATAI to existing AW7 arms. See pages 4-7 for more info.					

Light Level Performance at 4000K

Light Level	NATAI		
	Lumens	Wattage	Efficacy (LPW)
L1	15506	128.6	121
L2	26265	242	109

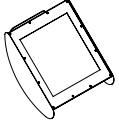
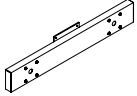
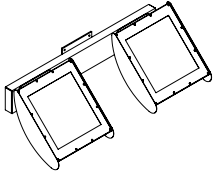
Lumen Adjustment Factor

Color Temp	80 CRI	90 CRI
3000K	0.953	0.846
3500K	0.969	0.848
4000K	1.000	0.852

2. MOUNTING KITS


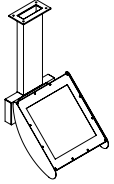
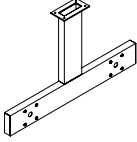
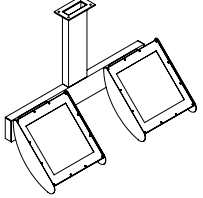
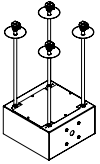
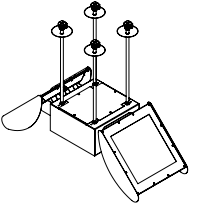
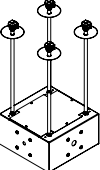
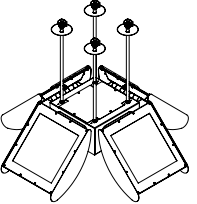
Wall Mount

	NATASW-I	
QTY	Single Wall (Integral Driver)	FINISH*
	NATASW-R	
QTY	Single Wall (Remote Driver)	FINISH*
	NATADW-I	
QTY	Double Wall (Integral Driver)	FINISH*
	NATADW-R	
QTY	Double Wall (Remote Driver)	FINISH*

Code	Mounting Kit	NATAI
SW Single Wall	Single wall mount included. Specify appropriate mounting kit for all other applications (Driver location is selected in Ordering Logic on page 1)	
DW Double Wall		

Pendant Mount

	NATASA-I		
QTY	Single Arm (Integral Driver)	Indicate arm length (max 5ft**)	FINISH*
	NATASA-R		
QTY	Single Arm (Remote Driver)	Indicate arm length (max 5ft**)	FINISH*
	NATADA-I		
QTY	Double Arm (Integral Driver)	Indicate arm length (max 5ft**)	FINISH*
	NATADA-R		
QTY	Double Arm (Remote Driver)	Indicate arm length (max 5ft**)	FINISH*
	NATADP-I		
QTY	Double Pendant (Integral Driver)	Indicate hanger length (max 5ft**)	FINISH*
	NATADP-R		
QTY	Double Pendant (Remote Driver)	Indicate hanger length (max 5ft**)	FINISH*
	NATAQP-I		
QTY	Quad Pendant (Integral Driver)	Indicate hanger length (max 5ft**)	FINISH*
	NATAQP-R		
QTY	Quad Pendant (Remote Driver)	Indicate hanger length (max 5ft**)	FINISH*

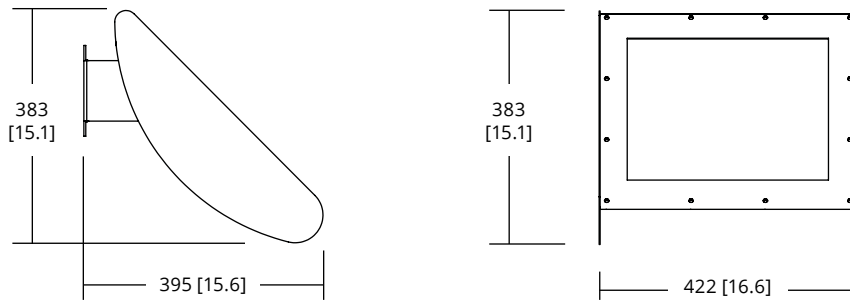
SA Single Arm Pendant		
DA Double Arm Pendant		
DP Double Pendant		
QP Quad Pendant		

* FINISH

NW Natatorium White
NC Natatorium Custom Specify RAL# _____

** Maximum length from ceiling surface to top of fixture. Custom lengths available upon request.

CROSS SECTIONS



SPECIFICATIONS

Due to the Continuous Improvement Policy at Metalumen, we reserve the right to change our specifications without notice.

Housing: Fixture body is constructed using aluminum sheet, with 1.63mm (14 gauge aluminum sheet metal) nominal wall thickness.

Optical System: High flux, high efficacy, LED technology in conjunction with high efficiency reflectors and high transmittance lenses create controlled asymmetric distribution with comfortable low-glare illumination.

CRI: 80 minimum for all CCTs in standard configurations.

Lumen Maintenance: Reported L70 > 60,000 hrs at an ambient operating temperature of 35°C.

Finish: White paint with a coating suitable for natatoriums is standard. Custom natatorium finish also available.

Weight: See chart below.

Mounting: Standard hanger lengths are 2, 3, 4 and 5 ft. Consult factory for custom lengths. Pendant mounting is available with hangers in four options:

- single arm pendant
 - double arm pendant
 - double pendant mount
 - quad pendant mount
- Wall mounting is available in two options:
- single wall mount
 - double wall mount

Electrical: 120 V or 277 V/347 V prewired. Standard drivers feature electronic universal voltage (120-277V, 347 V/50-60 Hz), greater than 0.9

power factor, less than 20% harmonic distortion, and ambient temperature range of 35°C (95°F) to minimum starting temp of -40°C (-40°F). Max amp draw @120V is 2.03Amps, @277V is 0.88Amps, @347V is 0.7Amps.

Approvals: This product is cULus listed.

Environment: Suitable for wet locations. IP65 rated.

NATAI WEIGHTS

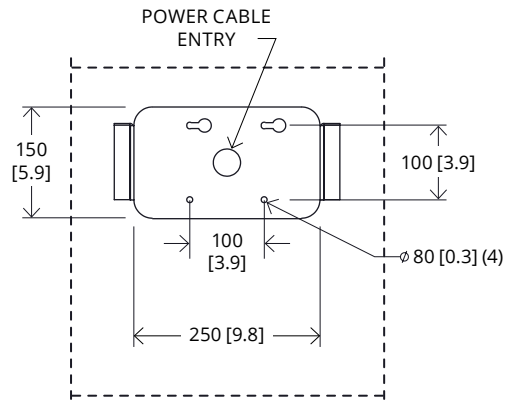
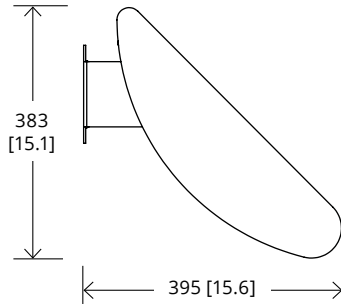
Fixture Type	Integral Fixture	Remote Fixture	Weight of brackets / hangers
Single Wall	6 kg [13.3lbs]	4 kg [8.8 lbs] (stand alone weight)	
Double Wall	16.8 kg [37.0 lbs]	12.8 kg [28.1 lbs]	4.8 kg [10.5 lbs]
Single Arm (max length 5 ft)	12.8 kg [28.2lbs]	10.8 kg [23.7 lbs]	6.75 kg [14.9 lbs]
Double Arm (max length 5 ft)	21.3kg [47.1 lbs]	17.3 kg [38.2 lbs]	9.3 kg [20.6 lbs]
Double Pendant (max length 5 ft)	22.2 kg [48.9 lbs]	18.2 kg [40.0 lbs]	10.2 kg [22.4 lbs]
Quad Pendant (max length 5 ft)	34.5 kg [76.2 lbs]	26.5 kg [58.4 lbs]	10.5 kg [23.1 lbs]

WARRANTY

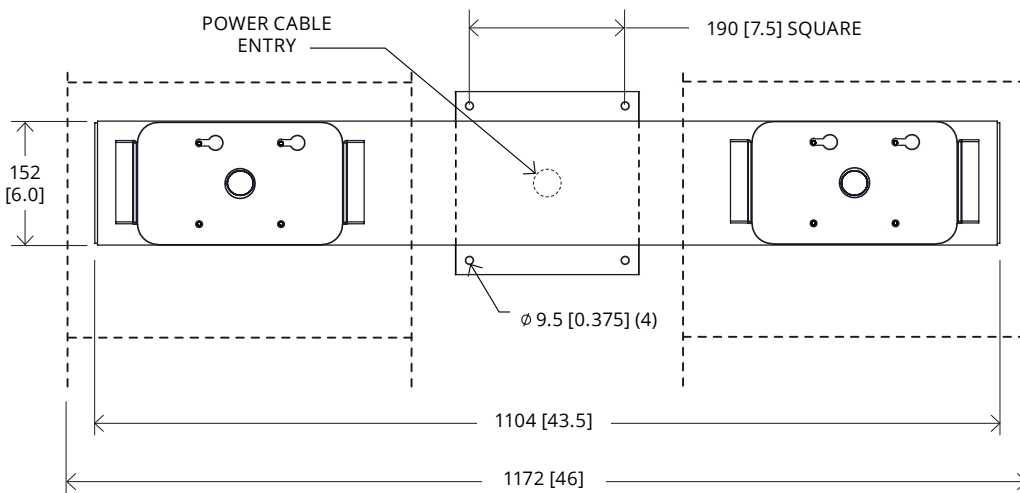
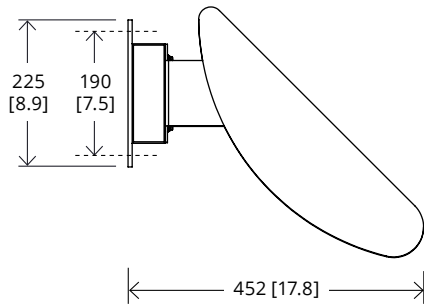
Metalumen will warrant defective luminaires for 5 years from date of purchase. Warranty is valid if luminaire is installed and used according to specification. If defective, Metalumen will send replacement boards or drivers at no cost along with detailed replacement instructions and instructions on how to return defective components to Metalumen.

MOUNTING ARRANGEMENTS - WALL

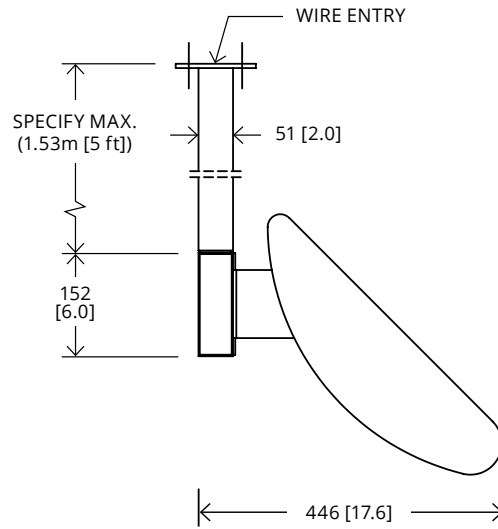
SW - Single Wall



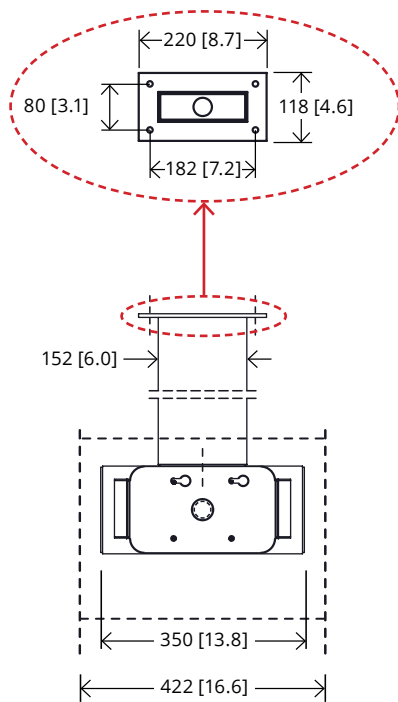
DW - Double Wall



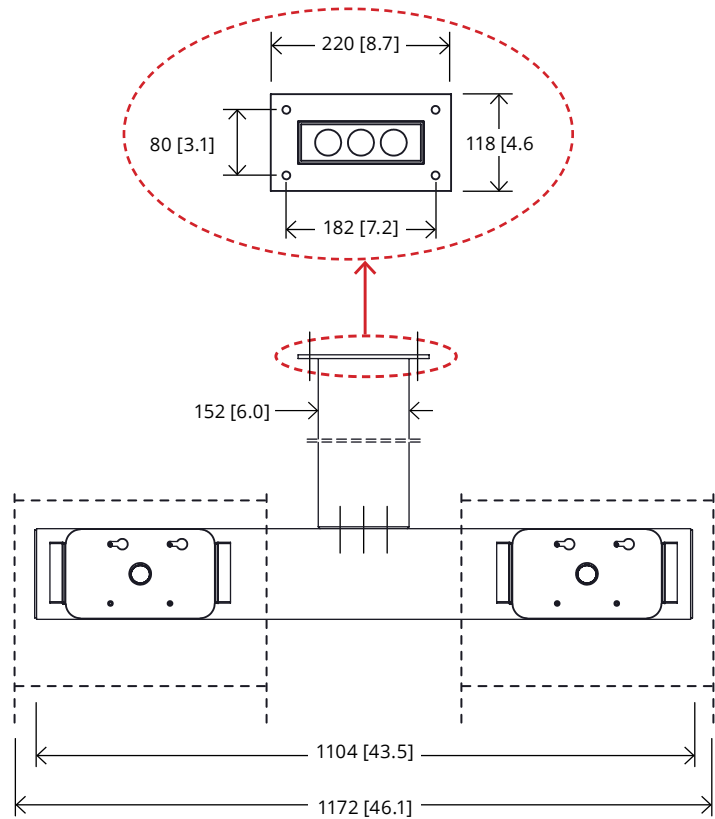
MOUNTING ARRANGEMENTS - PENDANT ARM



SA - Single Arm

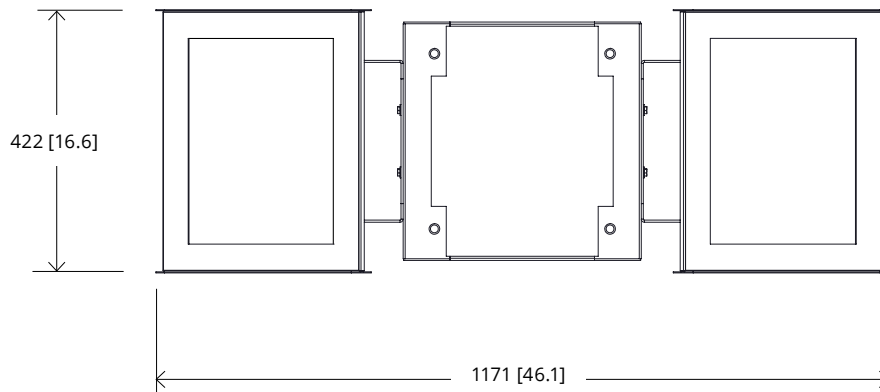
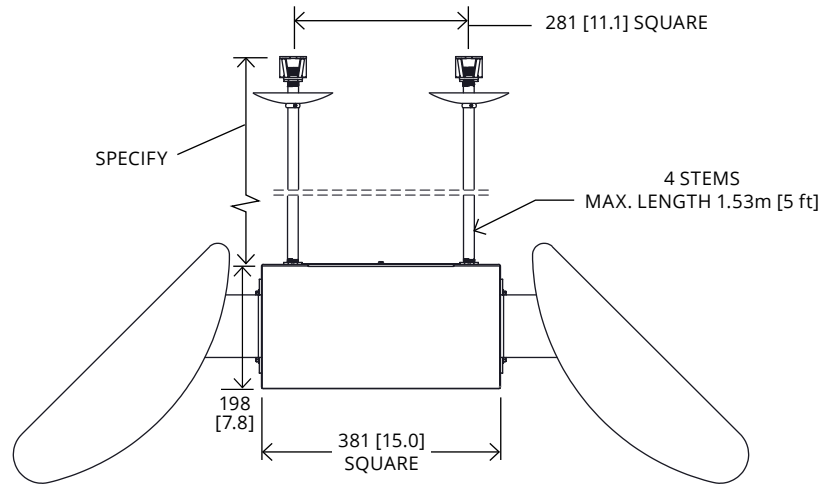


DA - Double Arm



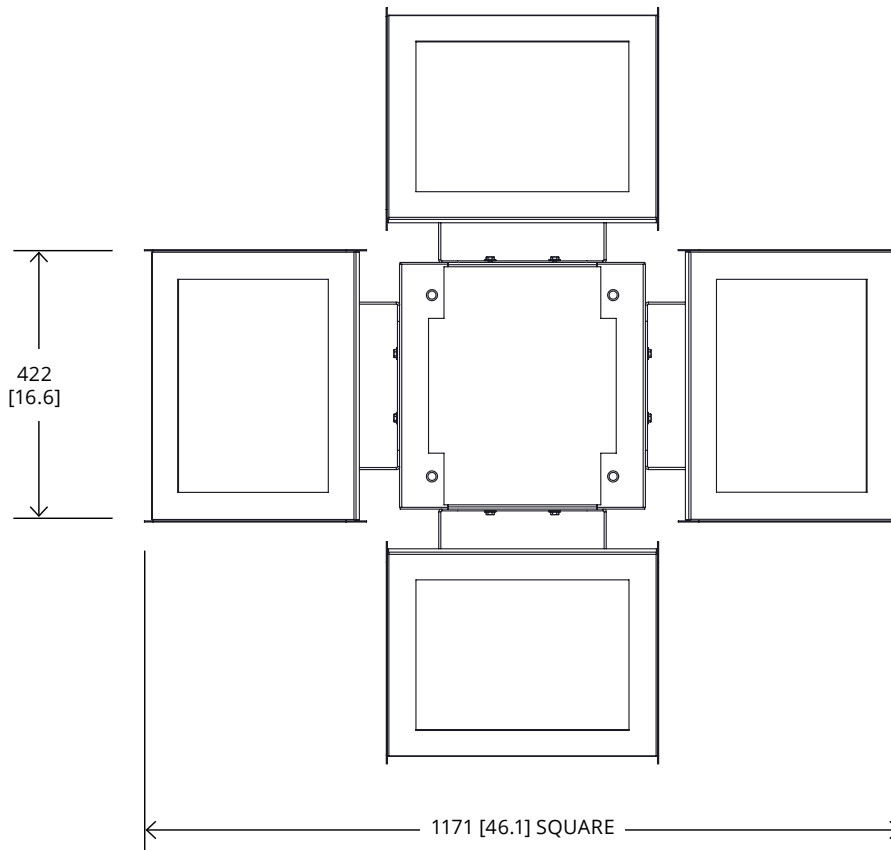
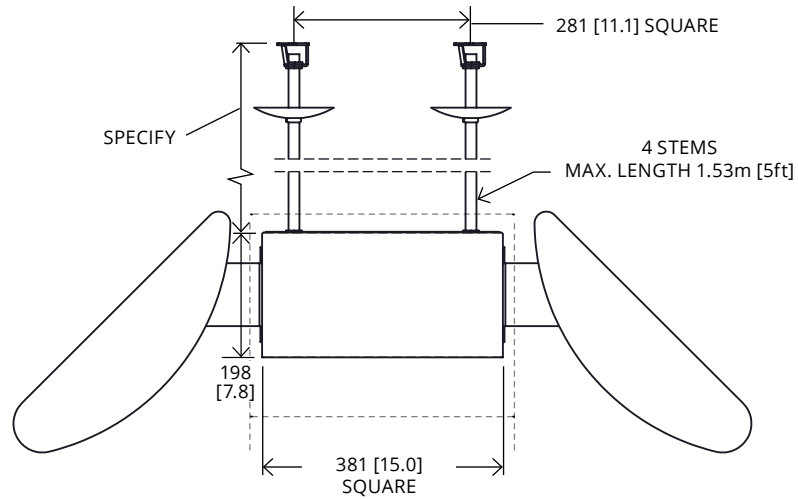
MOUNTING ARRANGEMENTS - PENDANT

DP - Double Pendant

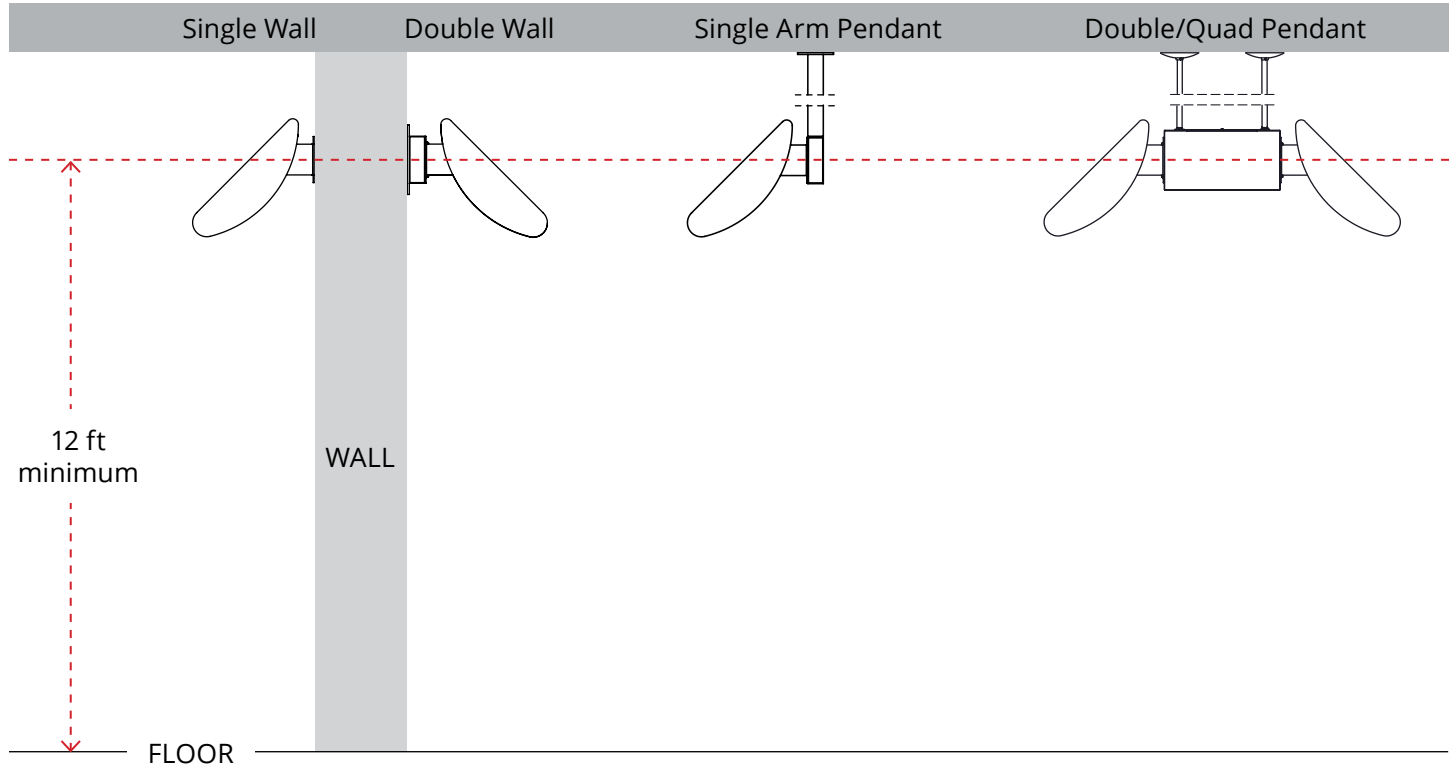


MOUNTING ARRANGEMENTS - PENDANT

QP - Quad Pendant



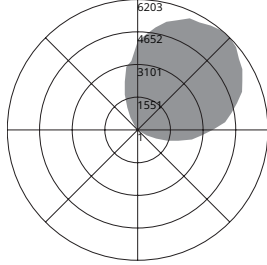
MOUNTING - MINIMUM DISTANCE FROM FLOOR



PHOTOMETRIC DATA - 4000K, CRI 80

Optics: **Nata Clear Lens**
 IES File: **NATAI-18L40K-NC-L1**
 Lumens: **15506** Wattage: **129**
 Efficacy: **121**

PHOTOMETRIC CURVE
 10% Down
 90% Up



ZONAL LUMEN SUMMARY

Zone	Lumens	%Fixt
0-20	0	0
0-30	0	0
0-40	0	0
0-60	32	0.2
0-80	685	4.4
0-90	1545	10
10-90	1544	10
20-40	0	0
20-50	1	0
40-70	212	1.4
60-80	653	4.2
70-80	473	3
80-90	859	5.5
90-110	2965	19.1
90-120	4894	31.5
90-130	6952	44.8
90-150	10899	70.2
90-180	13971	90
110-180	11007	70.9
0-180	15516	100

COEFFICIENTS OF UTILIZATION

Zonal Cavity Method | Effective Floor Cavity Reflectance = .20

RC	80			70			50				
	RW	70	50	30	10	70	50	30	10		
RCR											
0	98	98	98	98	85	85	85	85	61	61	61
1	86	81	77	73	74	70	66	63	50	47	45
2	78	70	63	58	67	60	55	50	42	39	36
3	71	61	53	47	61	53	46	41	37	33	29
4	64	54	46	40	55	46	40	34	33	28	24
5	59	47	39	33	50	41	34	29	29	24	21
6	54	42	34	29	46	37	30	25	26	21	18
7	50	38	30	25	43	33	26	21	23	19	15
8	46	34	27	21	39	30	23	19	21	16	13
9	43	31	24	19	37	27	21	16	19	15	12
10	40	28	21	16	34	24	18	14	17	13	10

CANDELA DISTRIBUTION

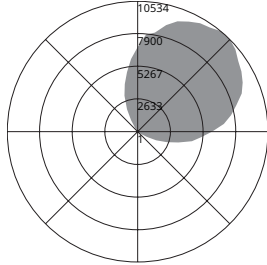
Vertical Angle	Horizontal Angle				
	0	22.5	45	67.5	90
0	0	0	0	0	0
10	0	0	0	0	0
20	0	0	0	0	0
30	0	0	0	0	0
40	0	0	0	0	0
50	57	26	0	0	0
60	513	315	56	0	0
70	1511	1163	436	22	0
80	2624	2207	1177	208	0
90	3573	3146	2067	732	23
100	4532	4168	3015	1458	189
110	5274	4907	3785	2201	642
120	5746	5404	4396	2889	1256
130	6106	5723	4927	3482	1964
140	6165	5826	5135	4005	2635
150	5881	5713	5224	4351	3236
160	5535	5411	5018	4507	3672
170	4933	4810	4730	4366	4023
180	4188	4188	4188	4188	4188

LUMINANCE DATA (CD/M²)

Vertical Angle	Horizontal Angle		
	0	45	90
45	3	0	0
55	798	34	0
65	4513	685	0
75	10079	2978	0
85	17364	6971	19

Optics: **Nata Clear Lens**
 IES File: **NATAI-18L40K-NC-L2**
 Lumens: **26265** Wattage: **242**
 Efficacy: **109**

PHOTOMETRIC CURVE
 10% Down
 90% Up



ZONAL LUMEN SUMMARY

Zone	Lumens	%Fixt
0-20	0	0
0-30	0	0
0-40	0	0
0-60	55	0.2
0-80	1156	4.4
0-90	2608	9.9
10-90	2608	9.9
20-40	0	0
20-50	2	0
40-70	357	1.4
60-80	1101	4.2
70-80	799	3
80-90	1452	5.5
90-110	5020	19.1
90-120	8287	31.5
90-130	11773	44.8
90-150	18476	70.3
90-180	23672	90.1
110-180	18652	71
0-180	26281	100

COEFFICIENTS OF UTILIZATION

Zonal Cavity Method | Effective Floor Cavity Reflectance = .20

RC	80			70			50				
	RW	70	50	30	10	70	50	30	10		
RCR											
0	98	98	98	98	85	85	85	85	61	61	61
1	86	81	77	73	74	70	66	63	50	47	45
2	78	70	63	58	67	60	55	50	42	39	36
3	71	61	53	47	61	53	46	41	37	33	29
4	64	54	46	40	55	46	40	34	33	28	24
5	59	47	39	33	51	41	34	29	29	24	21
6	54	42	34	29	46	37	30	25	26	21	18
7	50	38	30	25	43	33	26	21	23	19	15
8	46	34	27	21	39	30	23	19	21	16	13
9	43	31	24	19	37	27	21	16	19	15	12
10	40	28	21	16	34	24	18	14	17	13	10

CANDELA DISTRIBUTION

Vertical Angle	Horizontal Angle				
	0	22.5	45	67.5	90
0	1	1	1	1	1
10	0	0	0	0	0
20	0	0	0	0	0
30	0	0	0	0	0
40	0	0	0	0	0
50	92	47	0	0	0
60	854	540	91	0	0
70	2517	1982	712	36	0
80	4441	3719	2042	358	0
90	6033	5339	3495	1231	39
100	7666	7054	5108	2485	323
110	8951	8238	6408	3713	1085
120	9668	9130	7445	4929	2157
130	10296	9748	8358	5918	3313
140	10534	9929	8703	6803	4505
150	10080	9766	8865	7368	5501
160	9446	9198	8576	7638	6243
170	8096	8277	7881	7397	6731
180	6813	6813	6813	6813	6813

LUMINANCE DATA (CD/M²)

Vertical Angle	Horizontal Angle		
	0	45	90
45	9	0	0
55	1327	63	0
65	7687	1151	0
75	17137	4975	0
85	29442	11640	33