

IS-0731 REV02

ORBIT O2D/O2DS PENDANT MOUNT FLUORESCENT & LED INSTALLATION INSTRUCTIONS

NOTE: The following instructions provide general guidelines for product installation. For additional information, consult the applicable electrical codes or contact factory directly for support before attempting anything with uncertainty.

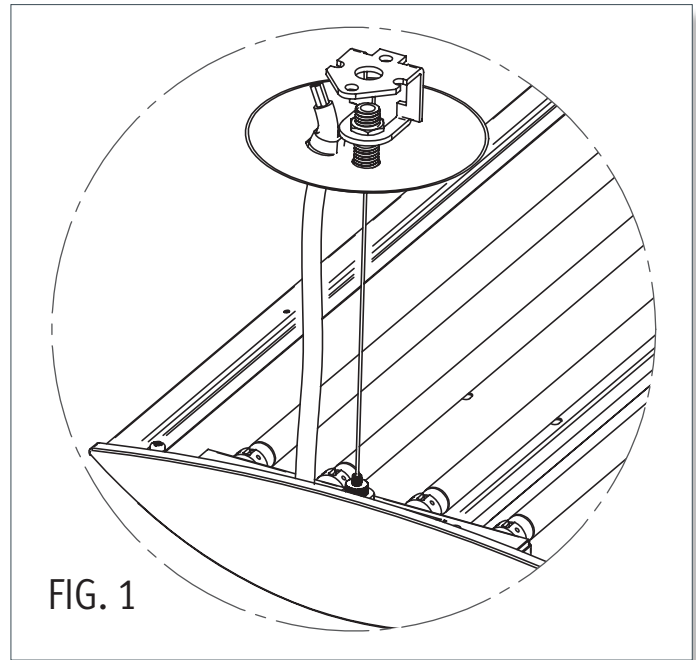
CAUTION: Do not assemble fixture runs on floor.

WARNING: Risk of fire and electrical shock. **DISCONNECT POWER AT ELECTRICAL PANEL** before installing or servicing this product.

GENERAL SAFETY INSTRUCTIONS:

1. Read all instructions prior to installing this fixture.
2. Keep protective film/plastic on fixtures during installation to protect surface from damage or dirt.
3. This product must be installed in accordance with the applicable installation code by a person familiar with the construction and operation of the product and the hazards involved.
4. All wiring must be performed by a qualified electrician in accordance with national and local building and electrical codes.
5. This fixture must be suitably grounded for your protection against shock hazards and to assure proper operation.
6. Make sure that the power source conforms to the requirements of this fixture.

FIG. 1 shows an aircraft cable hanger assembly. The specific hanger type for your fixture(s) is identified on the Hanger Installation Instruction Sheet.



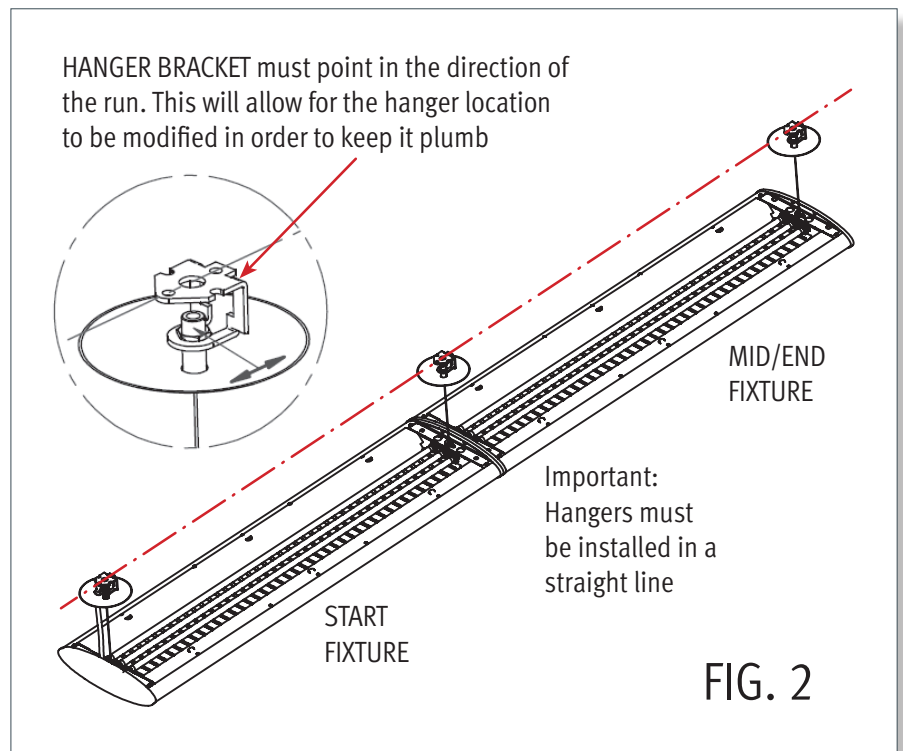
LEGEND	
F	Fluorecent only
L	LED only
FL	Fluorescent & LED

STEP-BY-STEP INSTRUCTIONS

FL STEP 1 Install HANGER BRACKETS into ceiling at the required distances. Mounting distances are listed in Table A. HANGER BRACKETS MUST BE INSTALLED IN A STRAIGHT LINE. (see FIG. 2)

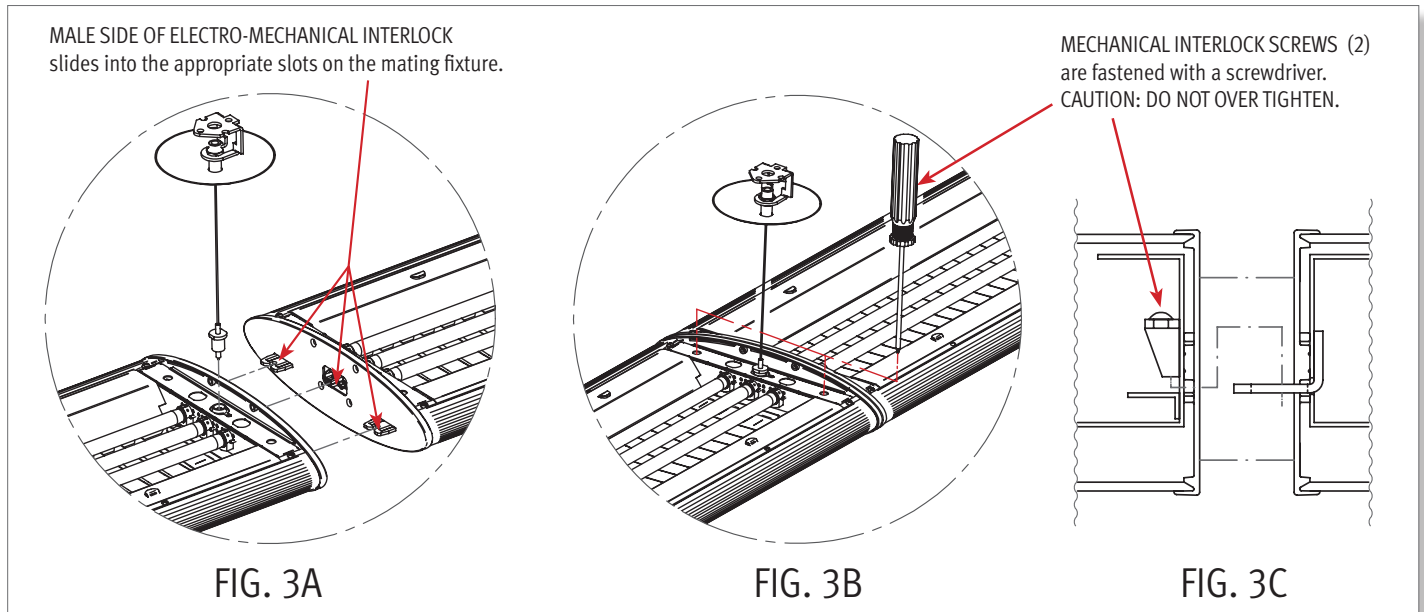
DISTANCE BETWEEN MOUNTING CENTERS	
FIXTURE	DISTANCE
4'	49.3" / 1253mm
8'	98.4' / 2499mm
12'	147.4" / 3744mm

Table A



FL STEP 2 Suspend start fixture using the supplied hanger system. [see Hanger Installation Instructions]

FL STEP 3 ****This step is only required for fixtures in a run configuration**** Suspend next fixture and mate it to the previous fixture [See FIG. 3A, 3B & 3C]



FL STEP 4 Repeat STEP 3 until run is complete.

F STEP 5 Install all lamps.

FL STEP 6 Make all electrical connections and finalize hanger installation. [See Hanger Installation Instructions]

FL STEP 7 Balance fixtures [see FIG. 4] and make final adjustments to height and straightness of fixtures. [See Hanger Installation Instructions]

