

Rail RM2DI

Fluorescent . Pendant . Direct/Indirect



CAT #:
PREP BY:
DATE:
PROJECT:
TYPE:
NOTES:

ORDERING LOGIC

RM2DI											
Series	# of lamps	Source	Length	Optics Up	Optics Down	Finish	Ballast	Circuitry	Mounting	Voltage	Controls
# of Lamps	Source	Optics Up	Finish	Circuitry	Voltage						
2 = 1 up/1 down	T8	_ = None (leave space empty)	SA = Satin Aluminum	1 = 1 Circuit	1 = 120 V						
2S = 1 up/1 down staggered * (w/ Metalce only)	T5	M = Meta Ice	W = White	AS = Alternate Switching	2 = 277 V						
	T5HO	Optics Down	C = Custom Finish Specify RAL#:	UD = Up/Down Switching	3 = 347 V						
* T5/T5HO only	Length	SP = Specular Parabolic Louver (not available with T8)	Ballast	EM = Emergency/Night Light	4 = UNV (120-277)						
	4 = 4 ft	SSP = Semi Specular Parabolic Louver (not available with T8)		B = Battery Pack	Controls						
	8 = 8 ft	M = Meta Ice	E = Electronic Instant Start (T8)	Mounting	_ = None (leave space empty)						
	12 = 12 ft	A = Asymmetric Reflector	R = Programmed Rapid Start	PA = Pendant Aircraft Cable	D = Daylight Sensor						
	R = Continuous Rows Consult factory	MA = Meta Ice with Asymmetric Reflector	D1 = 0-10V Dimming	PT = Pendant Aircraft Cable for T-Bar	O = Occupancy Sensor						
			D2 = DALI	Select HANGER LENGTH and HANGER COLOR on p. 2	DO = Daylight/Occupancy Sensor						

SPECIFICATIONS

Due to the Continuous Improvement Policy at Metalumen, we reserve the right to change our specifications without notice.

Housing: Rigid extruded aluminum body, 2.3mm [0.09"] nominal wall thickness. 63mm [2.5"] wide x 99mm [3.9"] high. Steel formed end caps.
Optics: Specular and semi-specular parabolic louvre (not available with T8 lamps); high-transmittance snap-in Meta

Ice lens; asymmetric reflector open bottom or with Meta Ice Lens
Finish: Satin Aluminum and white are standard finishes. For custom finish, contact factory.
Mounting: Pendant: Steel aircraft cable complete with a Quick-Grip field adjustable

suspension system provides for quick and easy on-site alignment.
Electrical: Factory prewired with twist and lock sockets.
Ballast: Instant Start, Programmed Rapid Start, 0-10V Dimming, DALI
Controls: Refer to Ordering Logic chart

above.
Approvals: Certified to NRTL and IES testing standards. RoHS compliant. This product is cULus listed.
Environment: Suitable for dry or damp locations.

WARRANTY

Metalumen will warrant a one year parts and labour warranty. Warranty is valid if luminaire is installed and used according to specification. The Ballast will carry a standard 5 year warranty by the manufacturer. If defective, Metalumen will send replacement ballasts or drivers at no cost along with detailed replacement instructions and instructions on how to return defective components to Metalumen.

APPROVALS Signature _____

Date _____

FILE NAME: Rail_RM2DI_FL_P_SPEC_SHEET 072516

570 Southgate Drive, Guelph, Ontario N1G 4P6
 Mailing Address: P.O. Box 1779 Guelph, Ontario, N1H 6Z9

1.800.621.6785 | T 519.822.4381 | F 519.822.4589
www.metalumen.com

Metalumen

FEATURES

COMMERCIAL // Commercial Lighting - With over 30 years of successful architectural lighting, providing unique concept and installation solutions has become second nature. Metalumen's Start to End Development Process results in unique performance, design and architectural requirements from concept through implementation. Metalumen's Lighting Solutions have been

applied to customer projects requiring: high profile architectural installations; improved energy efficiency; retrofit installations; unique installations. Metalumen can provide top-quality innovative fixtures when and where they are needed and, at the same time, allow the customer to determine their level of involvement in Metalumen's Start to End Development Process.

MEDILUMEN // Healthcare Lighting Every product in our broad line of healthcare luminaires has been strategically engineered to meet modern healthcare demands while addressing patient needs and aesthetic requirements.

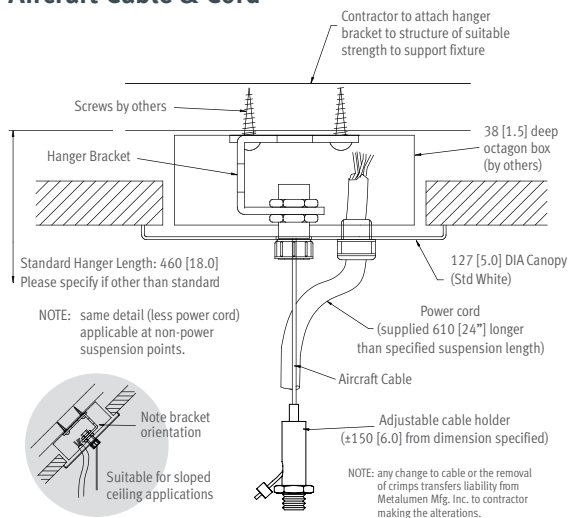
MetaICE META ICE is a smooth Continuum Optical System with a 91% transmission rate that creates

smooth subdued lighting with no source imagery. Meta Ice is a premium lensing optic unique to Metalumen but coupled with a high performance side kicking specular reflector to maximize the lumens from the source creating an unparalleled lumen delivery.

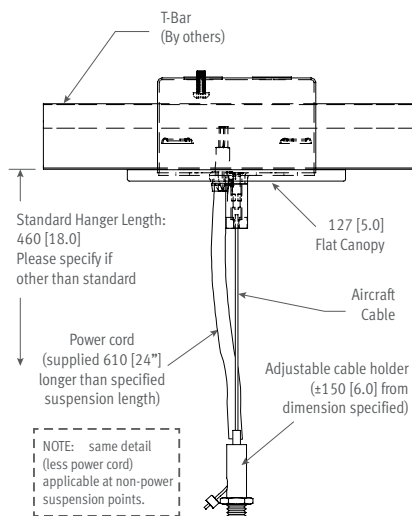
DAMP Suitable for damp locations.

HANGERS

Aircraft Cable & Cord



T-Bar Aircraft Cable & Cord



Select Hanger Length below:

AIRCRAFT CABLE

Total adjustment range is 6" up & down for each standard length. All other lengths are considered custom unless otherwise stated.

	IMPERIAL (in)	METRIC (mm)
<input type="checkbox"/>	12	305
<input type="checkbox"/>	18	460
<input type="checkbox"/>	24	610
<input type="checkbox"/>	30	760
<input type="checkbox"/>	36	915
<input type="checkbox"/>	42	1067
<input type="checkbox"/>	48	1220
<input type="checkbox"/>	54	1372
<input type="checkbox"/>	60	1525
<input type="checkbox"/>	72	1830
<input type="checkbox"/>	96	2440
<input type="checkbox"/>	120	3050
<input type="checkbox"/>	144	3660

HANGER FINISH

- White Paint (Standard)
- Custom Specify RAL#:

Custom length:

PHOTOMETRIC DATA

2 T8 LAMPS

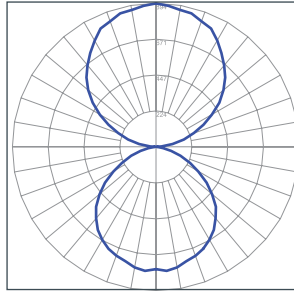
File Name: RM2DI-2T8-4-M
Luminaire Lumens: 4075
Efficiency: 69%
Efficacy: 58 lms/W
Total Watts: 70
Optics Up: None
Optics Down: Meta Ice

COEFFICIENTS OF UTILIZATION

Zonal Cavity Method Effective Floor Cavity Reflectance = .20

RC	80				70				50			
	RW	70	50	30	10	70	50	30	10	50	30	10
RCR												
0	73	73	73	73	67	67	67	67	56	56	56	
1	67	64	62	59	62	59	57	55	49	48	46	
2	61	56	52	49	56	52	48	45	44	41	39	
3	56	50	45	41	51	46	41	38	38	35	33	
4	51	44	39	35	47	41	36	32	34	31	28	
5	47	39	34	30	43	36	31	28	31	27	24	
6	43	35	30	26	40	33	28	24	28	24	21	
7	40	32	26	23	37	29	25	21	25	21	19	
8	37	29	24	20	34	27	22	19	23	19	17	
9	35	26	21	18	32	24	20	17	21	17	15	
10	32	24	19	16	30	22	18	15	19	16	13	

PHOTOMETRIC CURVE



CANDLE DISTRIBUTION

Vertical Angle	Horizontal Angle		
	0	45	90
0	761.58	761.58	761.58
5	774.97	765.1	732.3
10	762.45	744.14	742
15	735.97	724.63	717.73
20	720.68	688.44	662.94
25	699.21	655.62	644.11
30	668.3	614.49	579.61
35	631.65	559.95	521
40	579.87	502.65	463.18
45	528.16	446.45	403.23
50	458.37	380.05	341.78
55	387	310.92	283.82
60	305.74	244.62	226.02
65	234.59	186.63	169.96
70	163.02	130.27	118.06
75	99.42	77.61	68.5
80	46.53	37.01	34.19
85	14.89	13.29	12.27
90	3.52	3.54	3.82
95	35.03	26.92	27.26
100	105.73	68.16	65.07
105	180.12	124.03	115.71
110	250.94	177.56	178.36
115	326.98	228.73	241.28
120	402.53	285.53	285.08
125	481.77	343.22	324.92
130	551.09	406.29	369.21
135	611.71	479.69	417.2
140	662.71	549.34	496.38
145	712.89	615.93	562.85
150	764.43	674.92	632.13
155	813.82	728.54	694.91
160	832.75	775.85	752.17
165	859.69	806.06	799.49
170	864.92	846.76	824.43
175	882.42	872.04	854.36
180	894.21	894.21	894.21

LUMINANCE DATA (CD/M²)

Vertical Angle	Horizontal Angle		
	0	45	90
45	8659	3466	2617
55	7565	2397	1785
65	5900	1473	1069
75	3661	648	444
85	1085	122	85

2 T5 LAMPS

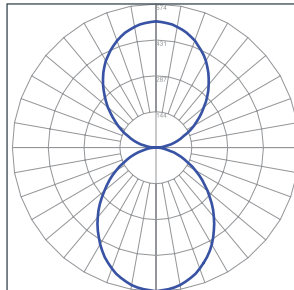
File Name: RM2DI-2T5-4-MM
Luminaire Lumens: 2705
Efficiency: 52%
Efficacy: 46 lms/W
Total Watts: 59.13
Optics Up: Meta Ice
Optics Down: Meta Ice

COEFFICIENTS OF UTILIZATION

Zonal Cavity Method Effective Floor Cavity Reflectance = .20

RC	80				70				50			
	RW	70	50	30	10	70	50	30	10	50	30	10
RCR												
0	56	56	56	56	52	52	52	52	44	44	44	
1	51	49	47	45	47	45	44	42	38	37	36	
2	47	43	40	37	43	40	37	35	34	32	30	
3	43	38	34	31	39	35	32	29	30	27	25	
4	39	33	29	26	36	31	27	25	27	24	22	
5	36	30	26	23	33	28	24	21	24	21	19	
6	33	27	23	20	30	25	21	19	22	19	16	
7	31	24	20	17	28	23	19	16	20	17	15	
8	28	22	18	15	26	21	17	14	18	15	13	
9	26	20	16	14	24	19	15	13	16	14	12	
10	25	18	15	12	23	17	14	12	15	12	10	

PHOTOMETRIC CURVE



CANDLE DISTRIBUTION

Vertical Angle	Horizontal Angle		
	0	45	90
0	574	574	574
5	568	570	573
10	557	562	566
15	539	545	549
20	514	520	524
25	483	490	490
30	446	453	451
35	405	411	407
40	361	366	362
45	316	320	316
50	270	274	271
55	226	230	227
60	184	187	186
65	144	147	147
70	108	111	111
75	74	77	78
80	44	46	49
85	18	20	24
90	0	5	8
95	22	26	29
100	47	51	54
105	76	80	82
110	106	112	114
115	139	149	150
120	175	185	188
125	212	224	227
130	251	264	268
135	290	304	309
140	329	343	348
145	366	380	385
150	400	413	419
155	429	443	446
160	455	466	470
165	475	484	488
170	490	496	500
175	500	504	505
180	505	505	505

LUMINANCE DATA (CD/M²)

Vertical Angle	Horizontal Angle		
	0	45	90
45	6452	6534	6452
55	5689	5790	5714
65	4920	5022	5022
75	4128	4296	4351
85	2982	3313	3976