

NOTE: The following instructions provide general guidelines for product installation. For additional information consult the applicable electrical codes or contact factory directly for support before attempting anything with uncertainty.

CAUTION: Do not assemble fixture runs on floor.

WARNING: Risk of fire and electrical shock. **DISCONNECT POWER AT ELECTRICAL PANEL** before installing or servicing this product.

GENERAL SAFETY INSTRUCTIONS:

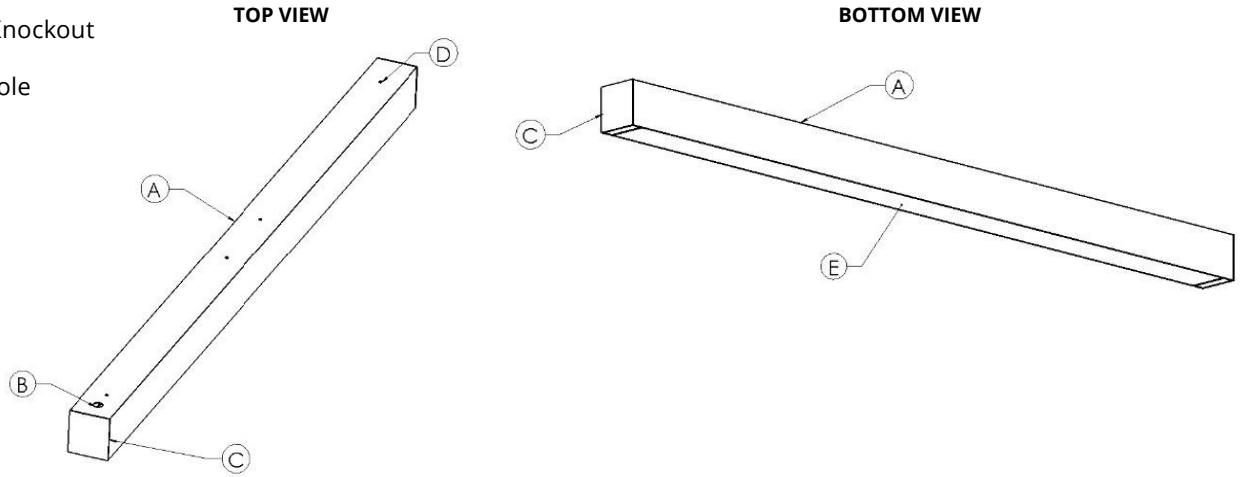
1. Read all instructions prior to installing this fixture.
2. This product must be installed in accordance with the applicable installation code by a person familiar with the construction and operation of the product and the hazards involved.
3. All wiring must be performed by a qualified electrician in accordance with national and local building and electrical codes.
4. This fixture must be suitably grounded for your protection against shock hazards and to assure proper operation.
5. Make sure that the power source conforms to the requirements of this fixture.

Specifications and design subject to change without notice.

PARTS LIST

MAIN PARTS LIST

- A. Luminaire
- B. Wire Entry Knockout
- C. End Plate
- D. Mounting Hole
- E. Lens



WIRING DIAGRAM

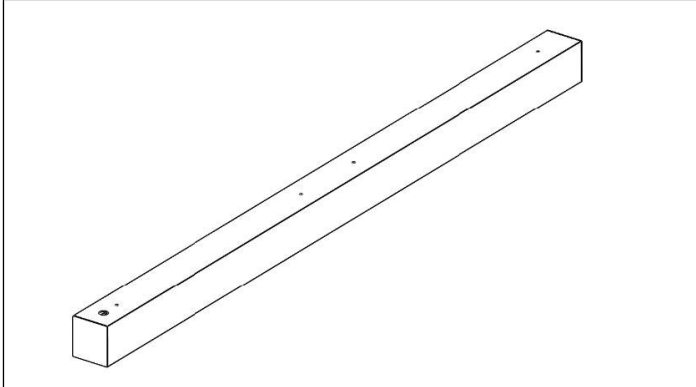
WIRE ENTRY 5 LEADS



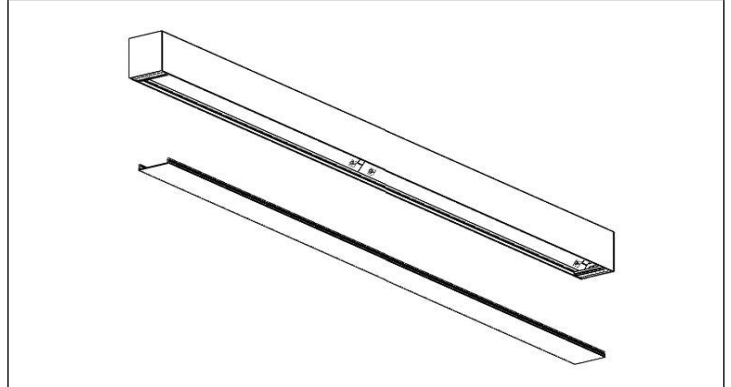
INTEGRAL DRIVER TO LINE VOLTAGE

Specifications and design subject to change without notice.

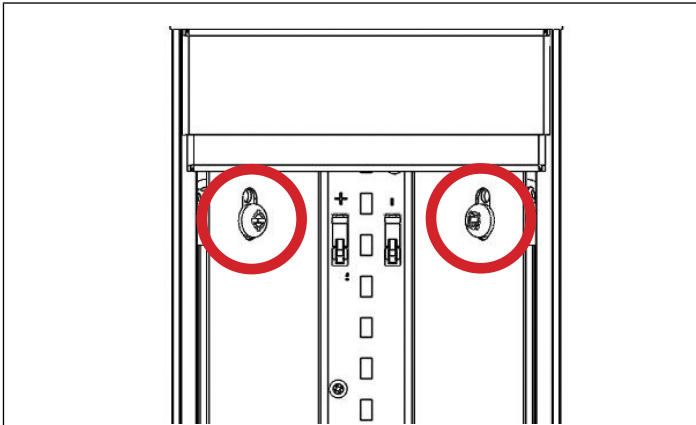
STEP-BY-STEP INSTALLATION INSTRUCTIONS



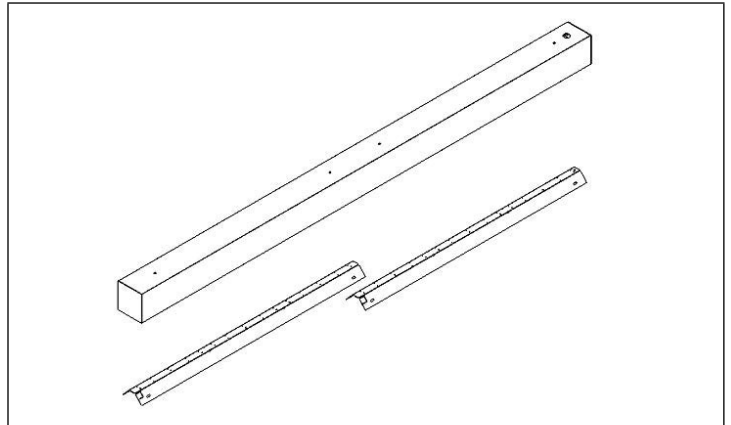
STEP 1. Remove fixture packaging.



STEP 2. Remove the lens.



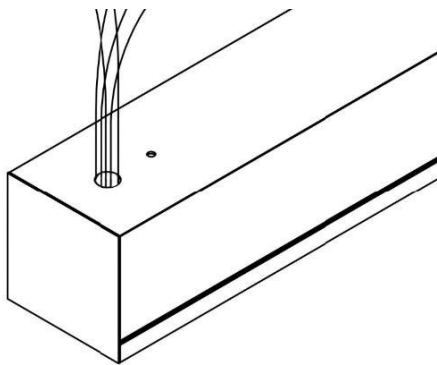
STEP 3. Unscrew reflector assembly.



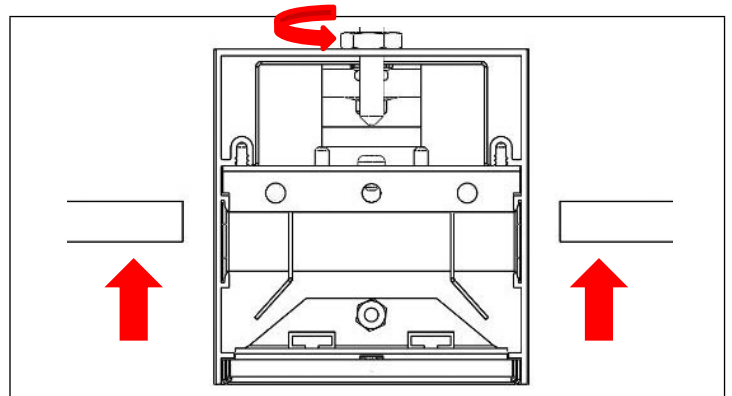
STEP 4. Remove reflector assembly.

Specifications and design subject to change without notice.

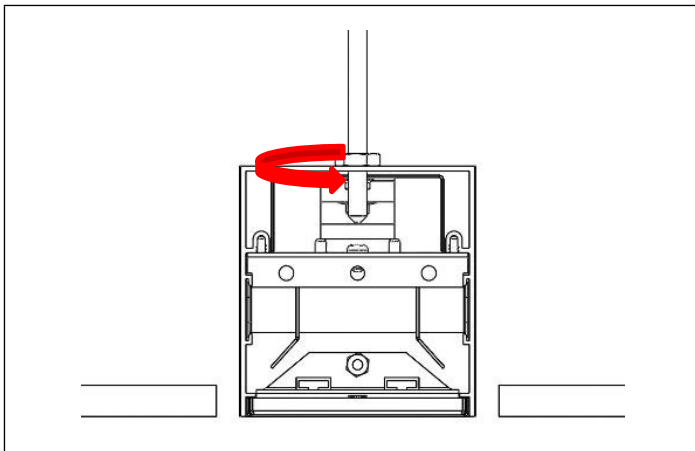
STEP-BY-STEP INSTALLATION INSTRUCTIONS



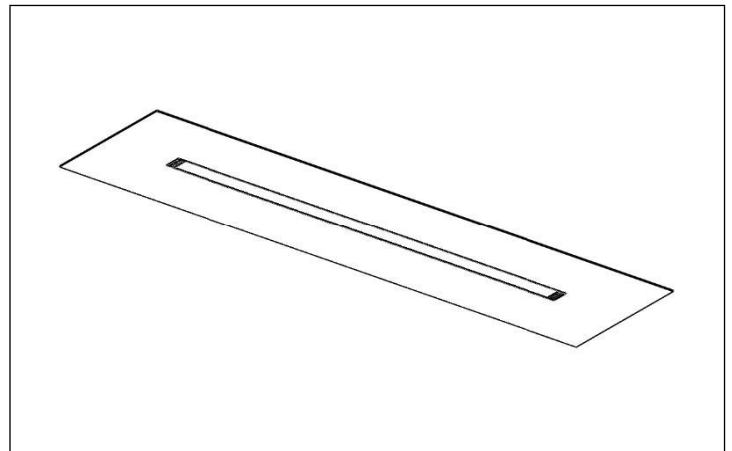
STEP 5. Run wires through junction box and out through the hole in the top of the fixture.



STEP 6. Make sure to feed ready rod (by others) through mounting locations and adjust nut to ensure fixture is parallel with drywall, insert fixture all the way through the opening in the ceiling.



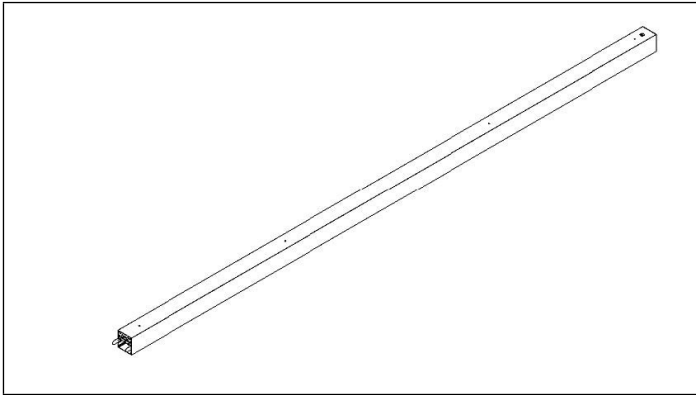
STEP 7. Once fixture is parallel with drywall insert second nut (supplied by others) through the fixture and fasten the fixture in place. Repeat steps 6 & 7 with remaining mounting locations until fixture is parallel along entire length.



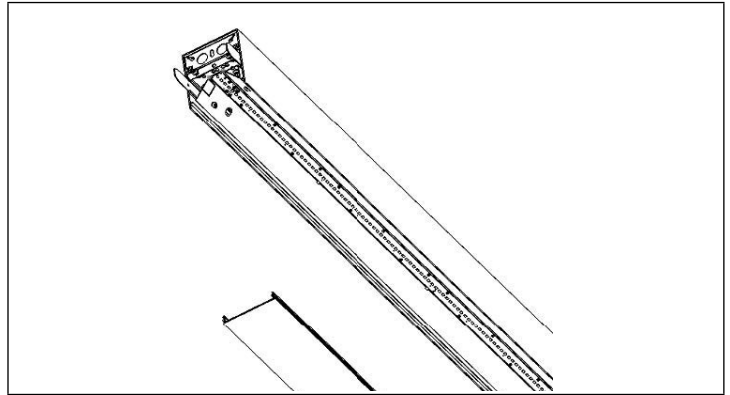
STEP 8. Replace reflector assembly and lens.

Specifications and design subject to change without notice.

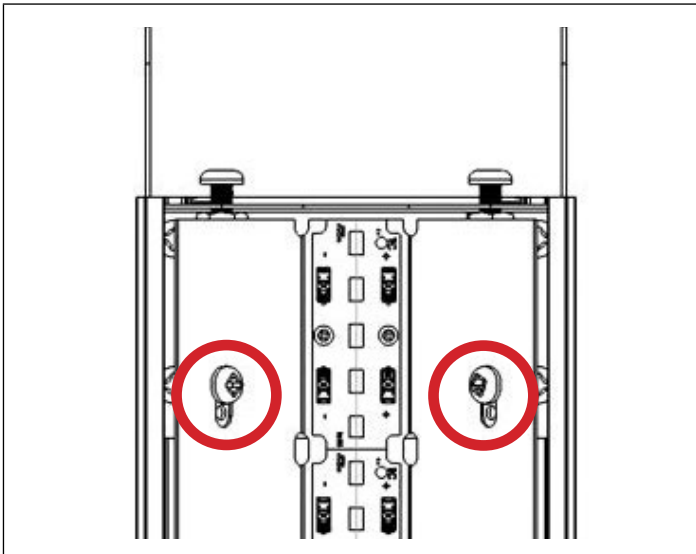
STEP-BY-STEP CONTINUOUS RUN



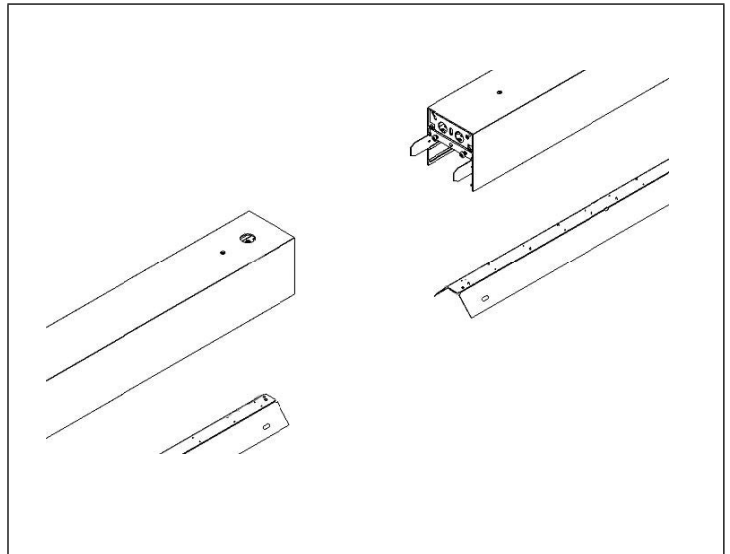
STEP 1. For continuous runs, install Start fixture first. (As per Steps 1 to 8)



STEP 2. Remove the lens from both fixtures to be joined.



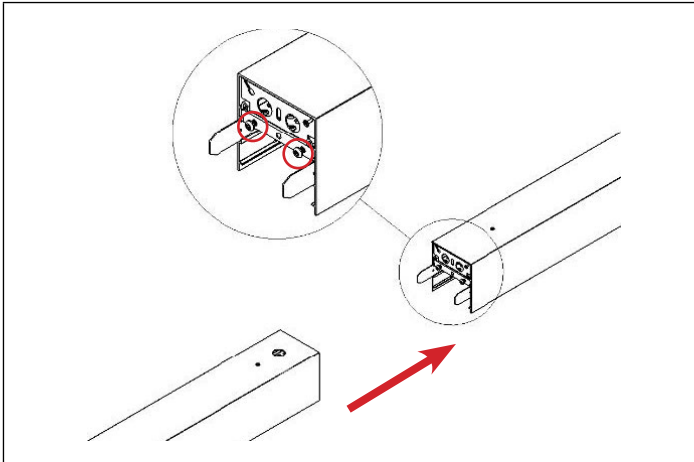
STEP 3. Unscrew the reflector assembly at the joining end of both fixtures.



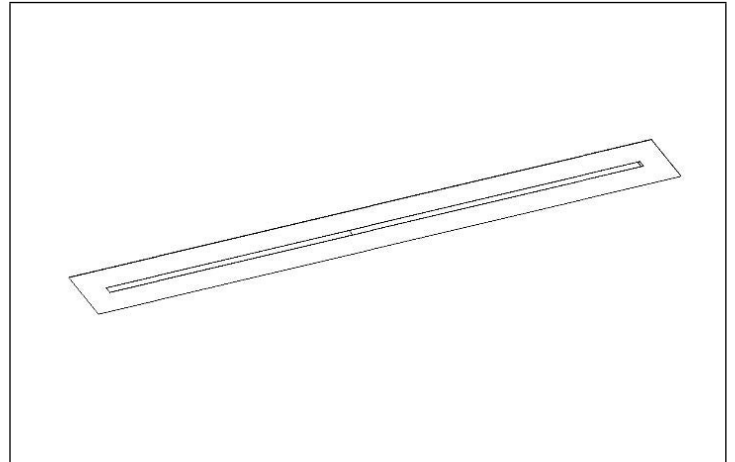
STEP 4. Remove reflector assembly on joining end to access the joining brackets.

Specifications and design subject to change without notice.

STEP-BY-STEP CONTINUOUS RUN



STEP 5. Align mid/end fixture and slide it into place. Secure with joining hardware. Reinstall reflector assembly and lens in both fixtures. Perform necessary wiring between fixtures.



STEP 6. Example of completed continuous run.

Specifications and design subject to change without notice.

STEP-BY-STEP MAINTENANCE

Required Tools

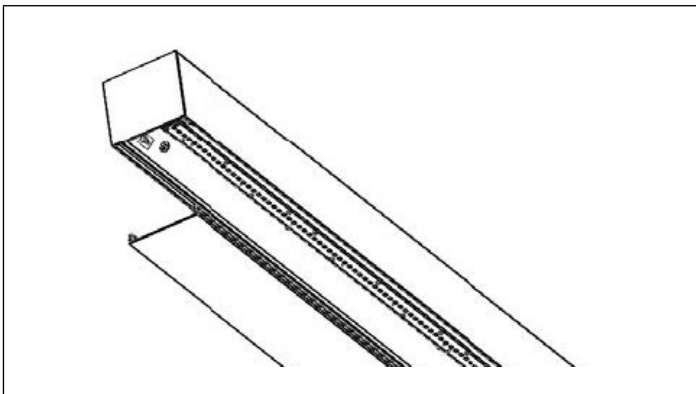
Plastic / Latex
Gloves



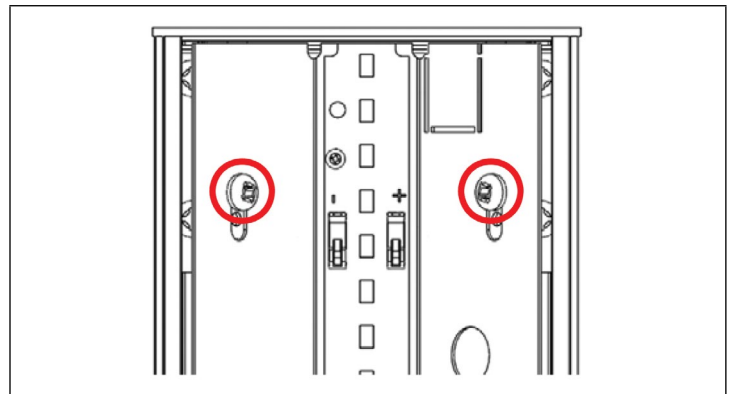
Screwdriver



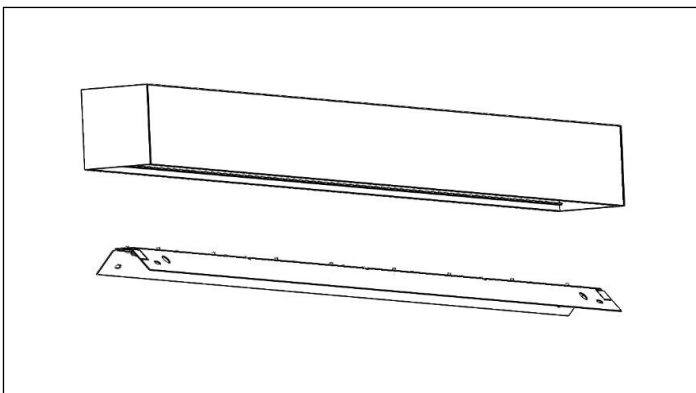
Important: Use clean gloves to avoid adding oil/dirt to reflector surface. Avoid scratching reflector surface by using installation tools with soft plastic rounded edges.



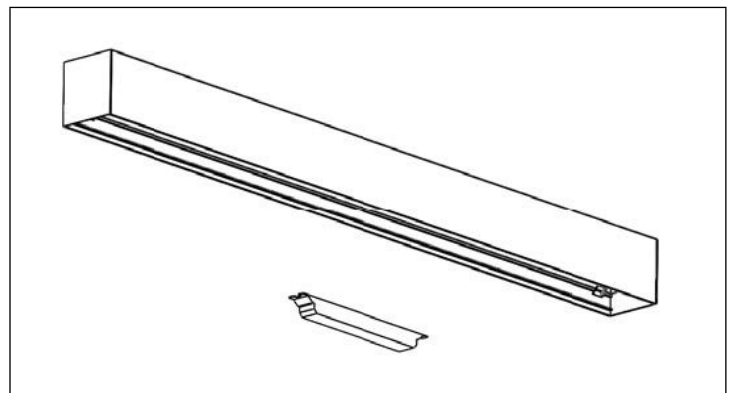
STEP 1. For LED board and driver maintenance, remove the lens from the bottom of the unit. The LED boards are now accessible.



STEP 2. For driver maintenance, first unscrew the reflector assembly.



STEP 3. Remove reflector assembly from unit.



STEP 4. Remove and service driver as required.

Specifications and design subject to change without notice.