



NOTE: The following instructions provide general guidelines for product installation. For additional information consult the applicable electrical codes or contact factory directly for support before attempting anything with uncertainty.

CAUTION: Do not assemble fixture runs on floor.

WARNING: Risk of fire and electrical shock. **DISCONNECT POWER AT ELECTRICAL PANEL** before installing or servicing this product.

GENERAL SAFETY INSTRUCTIONS:

1. Read all instructions prior to installing this fixture.
2. This product must be installed in accordance with the applicable installation code by a person familiar with the construction and operation of the product and the hazards involved.
3. All wiring must be performed by a qualified electrician in accordance with national and local building and electrical codes.
4. This fixture must be suitably grounded for your protection against shock hazards and to assure proper operation.
5. Make sure that the power source conforms to the requirements of this fixture.

Specifications and design subject to change without notice.

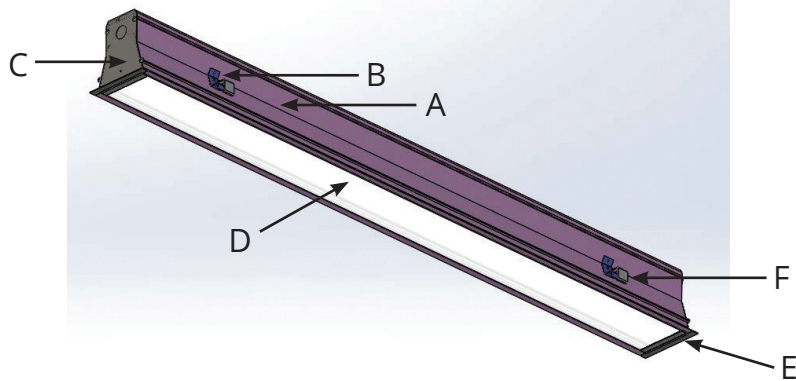
PARTS LIST

MAIN PARTS LIST

- A. Luminaire Enclosure
- B. Tbar Hanger Bracket
- C. End Plate
- D. Lens
- E. Lens Filler & Magnet
- F. Retainer Clip

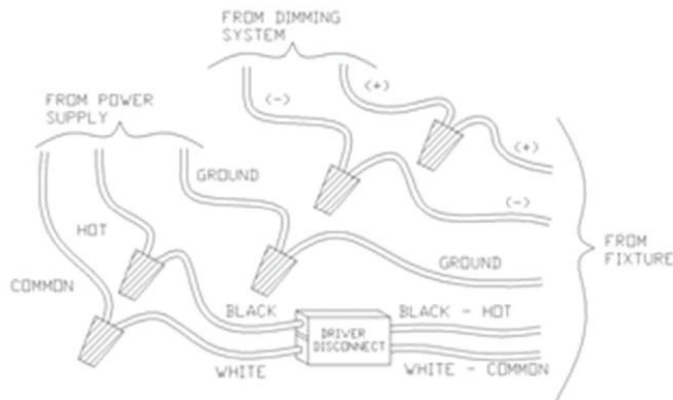
OTHER PARTS

- Reflector / LED Assembly

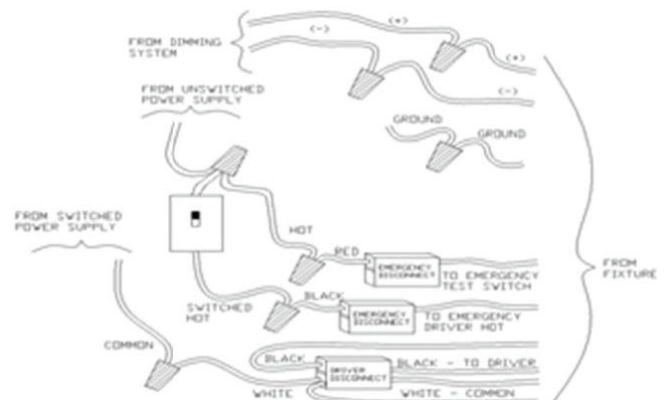


WIRING DIAGRAMS

STANDARD WIRING

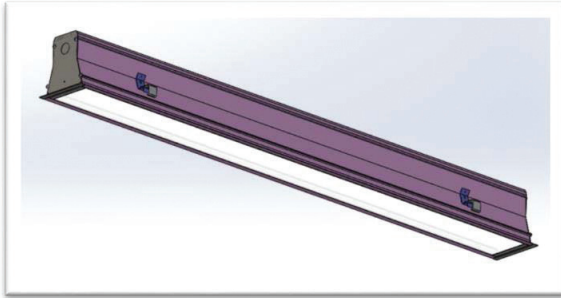


WITH OPTIONAL EMERGENCY PACK

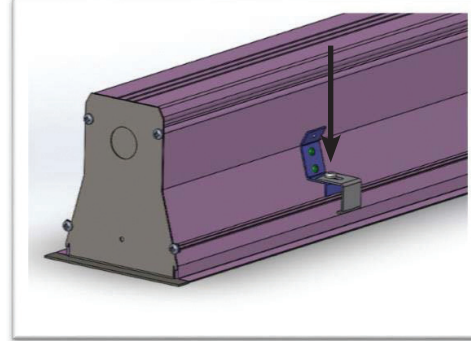


Specifications and design subject to change without notice.

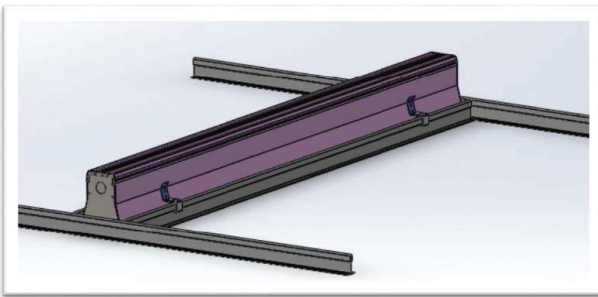
STEP-BY-STEP INSTRUCTIONS



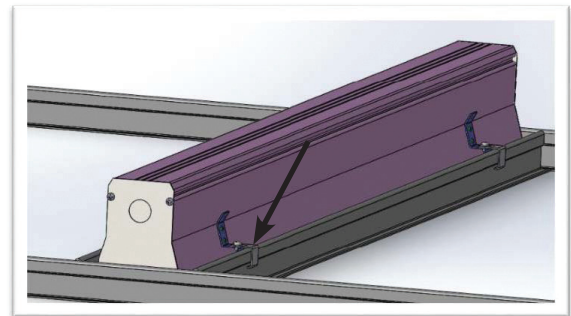
STEP 1. Remove fixture packaging; note marked supply wires coming out at one end of the luminaire.



STEP 2. Ensure Retainer clip (F) is loose. If not, loosen retainer clips (4).



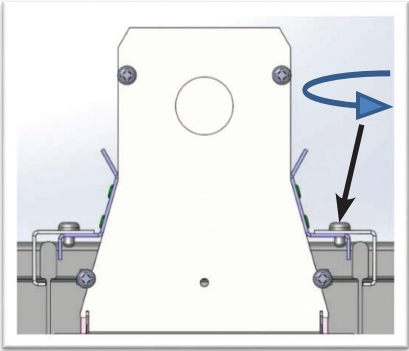
STEP 3. Place Luminaire Fixture (A) into ceiling and rest on tbar.



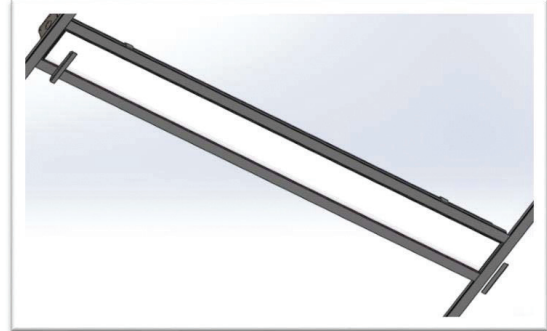
STEP 4. Adjust Retainer Clips so it sits tight against tbar.

Specifications and design subject to change without notice.

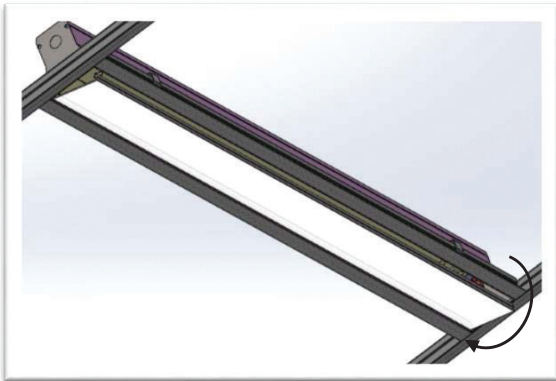
STEP-BY-STEP INSTRUCTIONS



STEP 5. Once Retainer clips are tight against tbar fasten screws to secure Retainer Clips in location.



STEP 6. Remove lens filler and magnet (E).



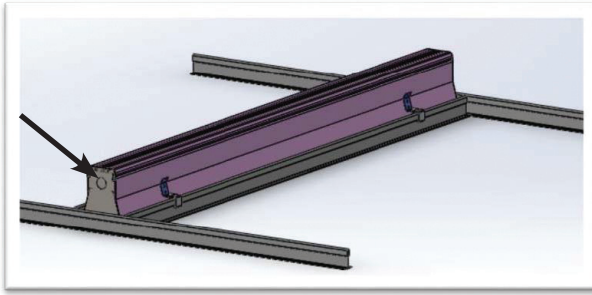
STEP 7. Remove lens (D) starting at one end. Pull one side first, rotate and detach. Keep lens.



STEP 8. Remove reflector mounting screws and reflector/LED assembly. Note fixtures with optional emergency pack have a test switch and indicator light mounted on the reflector.

Specifications and design subject to change without notice.

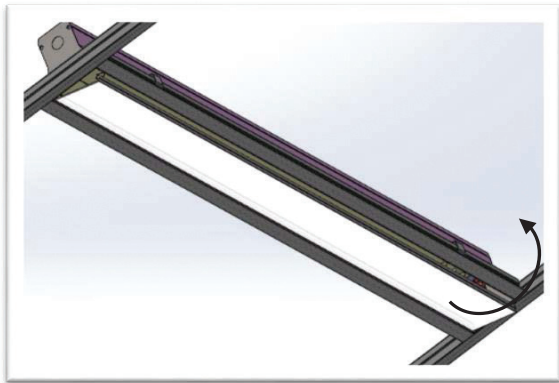
STEP-BY-STEP INSTRUCTIONS



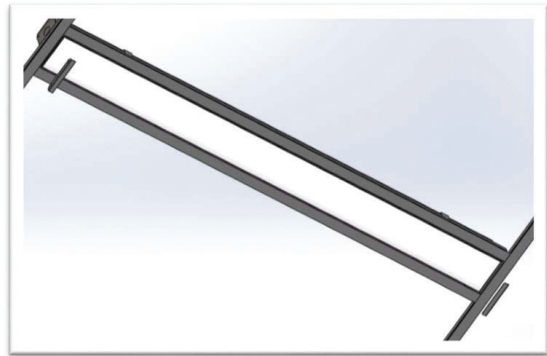
STEP 9. Bring electrical supply to the fixture as needed. Make sure all Retaining Clips are secured and fastened.



STEP 10. Perform electrical wiring inside the fixture and re-attach reflector/LED assembly with mounting screws. Optional emergency driver must be fed from the same branch circuit as the AC driver.



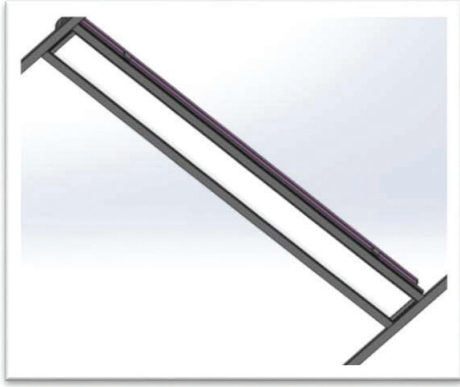
STEP 11. Re-attach lens. Start with one side first and close the other side starting from the corner.



STEP 12. Re-attach the filler and magnet E).

Specifications and design subject to change without notice.

STEP-BY-STEP INSTRUCTIONS



STEP 13. Installed Fixture (A).

Specifications and design subject to change without notice.