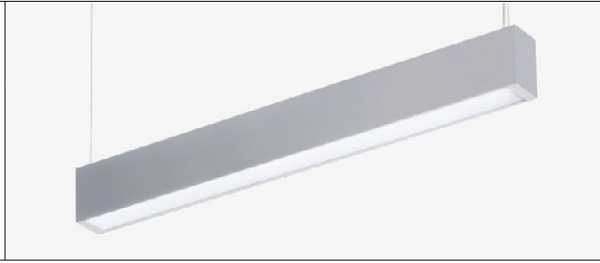
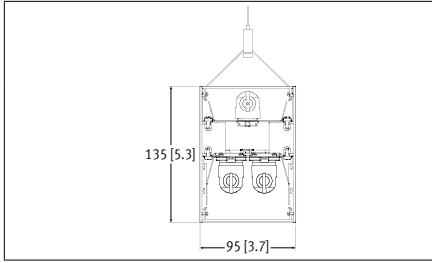


Grande RM4DI

Fluorescent . Pendant . Direct/Indirect



MetaICE



CAT #:
PREP BY:
DATE:
PROJECT:
TYPE:
NOTES:

ORDERING LOGIC

RM4DI										
# of lamps	Source	Length	Optics Up	Optics Down	Finish	Ballast	Circuitry	Mounting	Voltage	IC

# of Lamps	Source	Optics Up	Optics Down	Finish	Circuitry	Voltage
2 = 1 up / 1 down	T8	N = None - Open Top		SA = Satin Aluminum	1 = 1 Circuit	1 = 120 V
2S = 1 up / 1 down Staggered ⁸	T5	M = Meta Ice		W = White	UD = Up/Down Switching	2 = 277 V
3 = 1 up / 2 down	T5HO			C = Custom Finish Specify RAL#:	LR = Left/Right Switching	3 = 347 V
3S = 1 up / 2 down Staggered ⁸					AS = Alternate Switching	4 = UNV (120 - 277 V)
4 = 2 up / 2 down	Length	SP = Specular Parabolic Louver **			EM = Emergency/Night Light	Integrated Control (IC)
	4 = 4 ft	SSP = Semi Specular Parabolic Louver **		Ballast	B = Battery Pack	- = None (leave space empty)
⁸ T8 - with Meta Ice only	8 = 8 ft	M = Meta Ice		E = Electronic Instant Start (T8)	Mounting	D = Daylight Sensor
	12 = 12 ft	A = Asymmetric Reflector *		R = Programmed Rapid Start	PA = Pendant Aircraft Cable	O = Occupancy Sensor
	R = Continuous Rows See p.3	MA = Meta Ice with Asymmetric Reflector *		D1 = 0-10V Dimming	PT = Pendant Aircraft Cable for T-Bar	DO = Daylight/Occupancy Sensor
		* single lamp only ** single T8 lamp only		D2 = DALI	Select HANGER LENGTH and HANGER COLOR on p. 2	

SPECIFICATIONS

Due to the Continuous Improvement Policy at Metalumen, we reserve the right to change our specifications without notice.

Housing: Rigid extruded aluminum body, 2.0mm (0.08") nominal wall thickness. 95mm (3.7") wide x 135mm (5.3") high, steel formed end caps.

Optical System: Tubular fluorescent lamps transmits to an internal high performance-side kicking reflector that then passes through our Meta Ice acrylic diffuser

for smooth distribution; this creates a continuum of smooth consistent light.

Finish: Satin aluminum and white are standard finishes. For custom finish, contact factory.

Mounting: Pendant: Aircraft cable yoke complete with a Quick-Grip field adjustable suspension system provides for quick and

easy onsite alignment.

Wall: wall brackets supplied.

Electrical: Factory prewired with easy wire quick connect sections.

Ballast: Instant Start, Programmed Rapid Start, 0-10V Dimming, DALI

Integrated Controls: Refer to Ordering Logic chart above.

Approvals: Certified to NRTL and IES testing standards. This product is cULus listed.

RoHS compliant.

Environment: Suitable for dry or damp locations.

WARRANTY

Metalumen will warrant a one year parts and labour warranty. Warranty is valid if luminaire is installed and used according to specification. The Ballast will carry a standard 5 year warranty by the manufacturer. If defective, Metalumen will send replacement ballasts or drivers at no cost along with detailed replacement instructions and instructions on how to return defective components to Metalumen.

APPROVALS Signature _____

Date _____

FILE NAME: Grande_RM4DI_FL_PA_PT

052616

570 Southgate Drive, Guelph, Ontario N1G 4P6
Mailing Address: P.O. Box 1779 Guelph, Ontario, N1H 6Z9

1.800.621.6785 | T 519.822.4381 | F 519.822.4589
www.metalumen.com

Metalumen

FEATURES

COMMERCIAL // Commercial Lighting - With over 30 years of successful architectural lighting, providing unique concept and installation solutions has become second nature. Metalumen's Start to End Development Process results in unique performance, design and architectural requirements from concept through implementation. Metalumen's Lighting Solutions have been

applied to customer projects requiring: high profile architectural installations; improved energy efficiency; retrofit installations; unique installations. Metalumen can provide top-quality innovative fixtures when and where they are needed and, at the same time, allow the customer to determine their level of involvement in Metalumen's Start to End Development Process.

MEDILUMEN // Healthcare Lighting Every product in our broad line of healthcare luminaires has been strategically engineered to meet modern healthcare demands while addressing patient needs and aesthetic requirements.

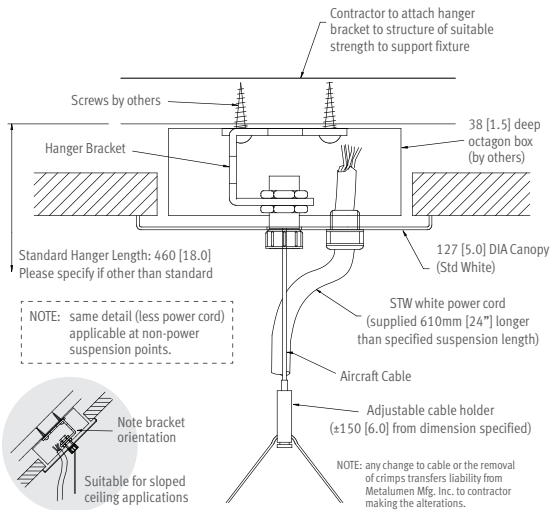
MetaICE META ICE is a smooth Continuum Optical System with a 91% transmission rate that creates

smooth subdued lighting with no source imagery. Meta Ice is a premium lensing optic unique to Metalumen but coupled with a high performance side kicking specular reflector to maximize the lumens from the source creating an unparalleled lumen delivery.

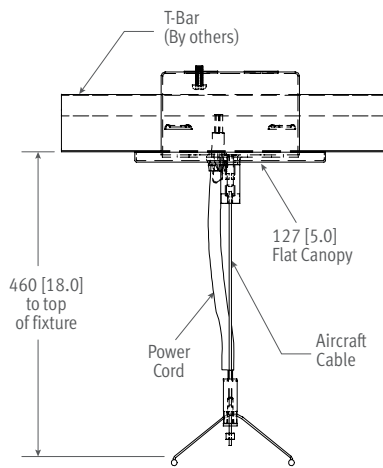
DAMP Suitable for damp locations.

HANGERS

Aircraft Cable & Cord



T-Bar Aircraft Cable & Cord



Select Hanger Length below:

AIRCRAFT CABLE

Total adjustment range is 6" up & down for each standard length. All other lengths are considered custom unless otherwise stated.

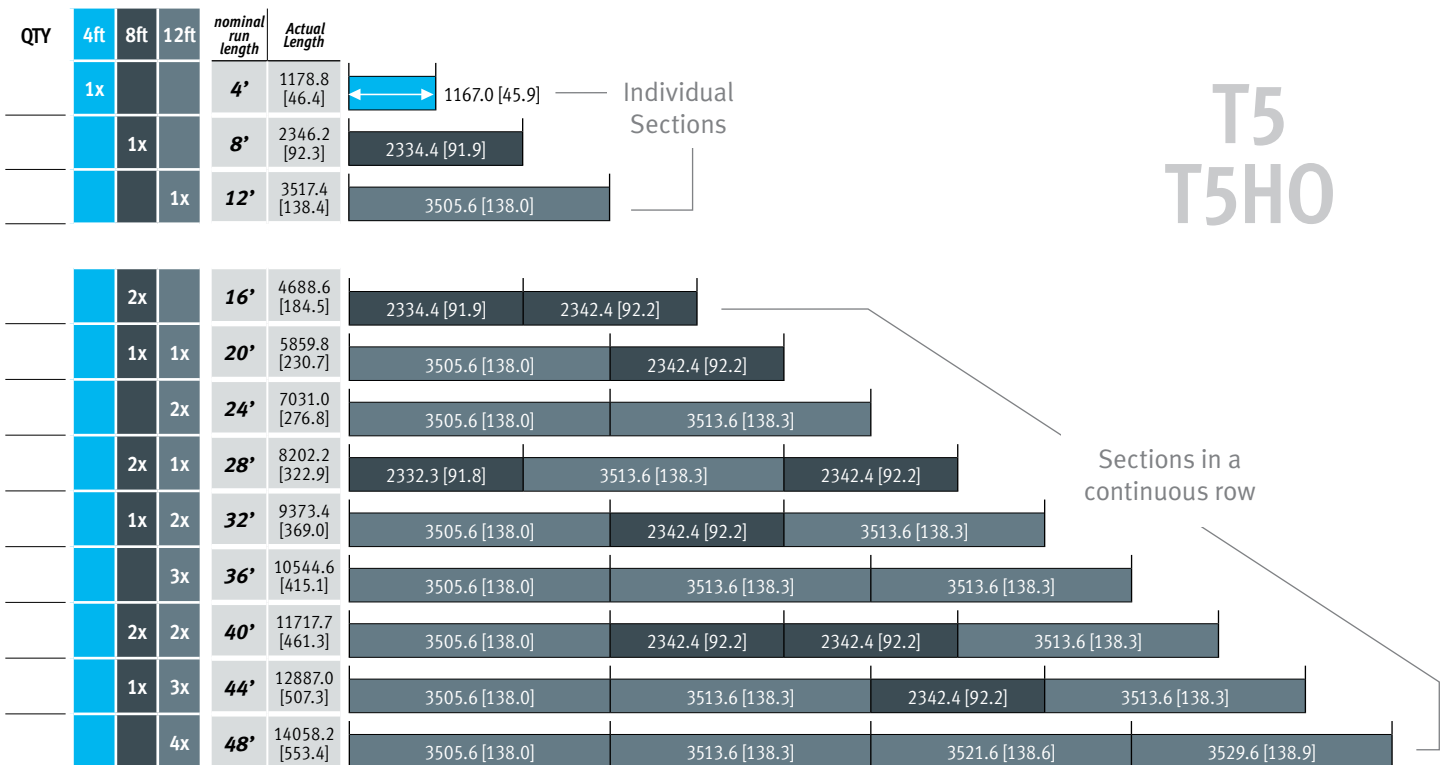
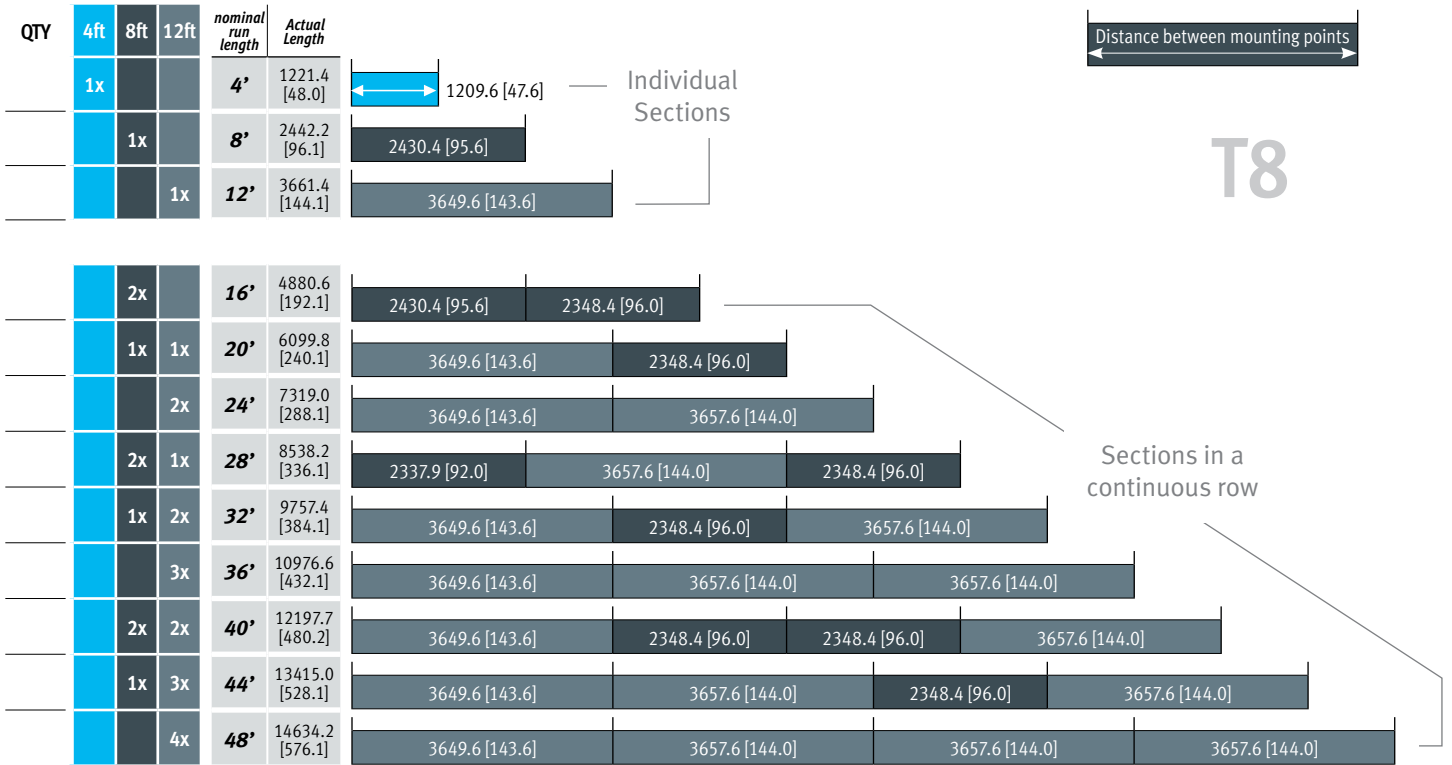
	IMPERIAL (in)	METRIC (mm)
<input type="checkbox"/>	12	305
<input type="checkbox"/>	18	460
<input type="checkbox"/>	24	610
<input type="checkbox"/>	30	760
<input type="checkbox"/>	36	915
<input type="checkbox"/>	42	1067
<input type="checkbox"/>	48	1220
<input type="checkbox"/>	54	1372
<input type="checkbox"/>	60	1525
<input type="checkbox"/>	72	1830
<input type="checkbox"/>	96	2440
<input type="checkbox"/>	120	3050
<input type="checkbox"/>	144	3660

Custom length: _____

HANGER FINISH

- White Paint (Standard)
- Custom Specify RAL#: _____

MOUNTING - ROW CONFIGURATION - Pendant (Non-staggered)



PHOTOMETRIC DATA

2 T8 LAMPS

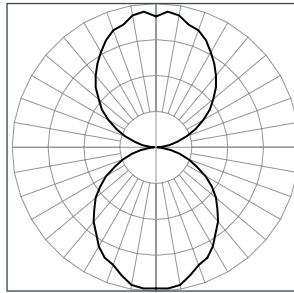
File Name: RM4DI-2T8-4-MM
 Luminaire Lumens: 5258
 Total Watts: 80
 Efficacy: 66 lms/W
 Optics Up: Meta Ice
 Optics Down: Meta Ice

COEFFICIENTS OF UTILIZATION

Zonal Cavity Method Effective Floor Cavity Reflectance = .20

RC	80				70				50				
	RW	70	50	30	10	70	50	30	10	50	30	10	
RCR													
0	82	82	82	82	75	75	75	75	63	63	63		
1	74	71	68	65	69	66	63	61	56	54	52		
2	68	62	57	53	62	57	53	50	49	46	43		
3	62	55	49	44	57	50	46	42	43	39	36		
4	57	48	42	38	52	45	39	35	38	34	31		
5	52	43	37	32	48	40	34	30	34	30	26		
6	48	39	32	28	44	36	30	26	31	26	23		
7	44	35	29	24	41	32	27	23	28	23	20		
8	41	32	26	22	38	29	24	20	25	21	18		
9	38	29	23	19	35	27	22	18	23	19	16		
10	36	26	21	17	33	25	20	16	21	17	15		

PHOTOMETRIC CURVE



LUMINANCE DATA (CD/M²)

Vertical Angle	Horizontal Angle		
	0	45	90
45	69554	36858	30426
55	64288	28303	22822
65	53912	19335	14722
75	42404	10875	7891
85	19977	3067	2154

CANDLE DISTRIBUTION

Vertical Angle	Horizontal Angle				
	0.0	22.5	45.0	67.5	90.0
0	988.56	988.56	988.56	988.56	988.56
5	991.90	975.32	1008.42	961.76	964.80
10	978.60	951.36	950.94	945.63	965.42
15	927.55	919.92	938.52	931.63	929.76
20	878.31	887.45	898.02	916.56	902.40
25	853.78	848.05	849.42	870.19	858.88
30	802.23	801.38	797.95	811.02	806.21
35	731.53	744.61	750.01	750.13	740.96
40	679.62	682.58	678.44	683.71	668.03
45	611.76	622.74	614.52	595.64	590.49
50	550.29	546.39	543.25	526.01	515.74
55	478.79	476.73	469.07	451.60	450.54
60	403.05	400.51	386.48	370.26	360.23
65	316.65	323.13	308.78	295.40	286.71
70	249.17	243.41	234.51	222.55	218.60
75	174.74	171.17	161.84	152.20	146.91
80	106.40	101.78	94.18	90.52	87.94
85	44.81	46.46	40.92	39.11	37.03
90	10.34	6.70	5.06	4.85	5.21
95	36.22	34.35	33.00	31.93	31.66
100	94.10	91.71	89.39	86.07	85.11
105	155.18	158.55	161.71	158.97	153.95
110	230.56	236.24	238.54	237.10	236.29
115	307.36	314.52	318.21	321.59	313.63
120	384.31	398.08	402.12	406.34	407.26
125	462.89	463.96	482.96	486.72	488.72
130	524.59	543.68	558.55	563.19	564.73
135	597.15	607.13	627.40	627.49	639.27
140	655.80	671.84	698.66	703.67	718.64
145	715.83	731.30	744.95	762.21	762.01
150	770.83	782.81	797.17	811.60	808.86
155	829.82	824.83	833.93	855.78	849.82
160	874.58	864.26	876.42	889.36	888.82
165	889.89	900.96	898.49	908.92	899.91
170	939.84	933.64	913.56	931.54	944.69
175	956.50	931.20	922.69	960.81	916.52
180	918.45	918.45	918.45	918.45	918.45

2 T5 LAMPS

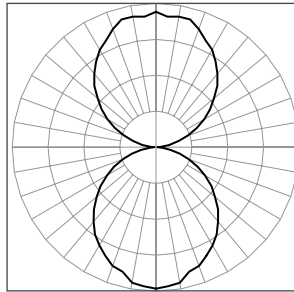
File Name: RM4DI-2T5-4-MM
 Luminaire Lumens: 4672
 Total Watts: 62
 Efficacy: 75 lms/W
 Optics Up: Meta Ice
 Optics Down: Meta Ice

COEFFICIENTS OF UTILIZATION

Zonal Cavity Method Effective Floor Cavity Reflectance = .20

RC	80				70				50				
	RW	70	50	30	10	70	50	30	10	50	30	10	
RCR													
0	86	86	86	86	79	79	79	79	67	67	67		
1	79	75	72	69	72	69	67	64	59	57	55		
2	72	66	61	56	66	61	56	53	51	48	45		
3	65	58	52	47	60	53	48	44	45	41	38		
4	60	51	45	40	55	47	42	37	40	36	32		
5	55	45	39	34	50	42	36	32	36	31	28		
6	50	41	34	29	46	38	32	28	32	28	24		
7	47	37	30	26	43	34	28	24	29	25	21		
8	43	33	27	23	40	31	25	21	27	22	19		
9	40	30	24	20	37	28	23	19	24	20	17		
10	38	28	22	18	35	26	21	17	22	18	15		

PHOTOMETRIC CURVE



LUMINANCE DATA (CD/M²)

Vertical Angle	Horizontal Angle		
	0	45	90
45	5781	3094	2583
55	5272	2334	1899
65	4551	1628	1234
75	3482	890	659
85	1693	259	192

CANDLE DISTRIBUTION

Vertical Angle	Horizontal Angle				
	0.0	22.5	45.0	67.5	90.0
0	870.04	870.04	870.04	870.04	870.04
5	858.30	860.23	856.15	863.26	884.23
10	845.17	848.11	853.24	839.52	830.93
15	791.61	807.30	840.18	827.12	829.42
20	776.90	778.91	781.74	796.95	786.81
25	737.28	747.24	745.36	759.24	757.11
30	696.50	711.74	703.77	710.67	708.06
35	653.84	655.07	658.33	654.69	658.57
40	594.89	604.90	604.38	586.00	593.10
45	540.65	543.10	542.98	529.35	526.63
50	475.65	483.66	483.11	470.72	463.83
55	417.30	419.67	406.38	396.15	393.19
60	347.65	356.34	339.76	326.14	317.05
65	283.89	283.83	272.71	261.67	251.69
70	215.99	216.91	205.78	193.95	189.11
75	152.22	150.03	138.53	132.26	128.22
80	92.02	90.39	84.56	76.08	74.16
85	40.17	40.26	36.04	34.64	34.49
90	8.94	5.77	5.32	4.69	4.02
95	32.94	31.17	30.09	29.78	29.75
100	82.73	83.22	81.61	83.14	79.92
105	146.75	143.08	147.09	146.63	145.64
110	210.25	217.05	218.25	217.17	218.22
115	278.21	284.04	289.56	292.60	296.82
120	344.68	355.04	369.58	363.75	367.46
125	407.29	426.06	431.16	445.91	441.17
130	467.39	481.20	506.23	500.33	516.98
135	536.09	546.46	560.78	564.40	565.38
140	589.82	602.93	616.20	627.06	628.34
145	641.68	652.68	668.57	680.64	682.20
150	691.96	693.17	705.08	721.50	707.10
155	724.66	742.69	744.56	741.55	768.49
160	774.04	768.11	778.72	789.41	784.04
165	813.18	814.58	798.33	794.84	809.82
170	815.52	830.44	821.70	816.72	832.52
175	806.59	839.52	850.60	845.62	849.01
180	832.53	832.53	832.53	832.53	832.53