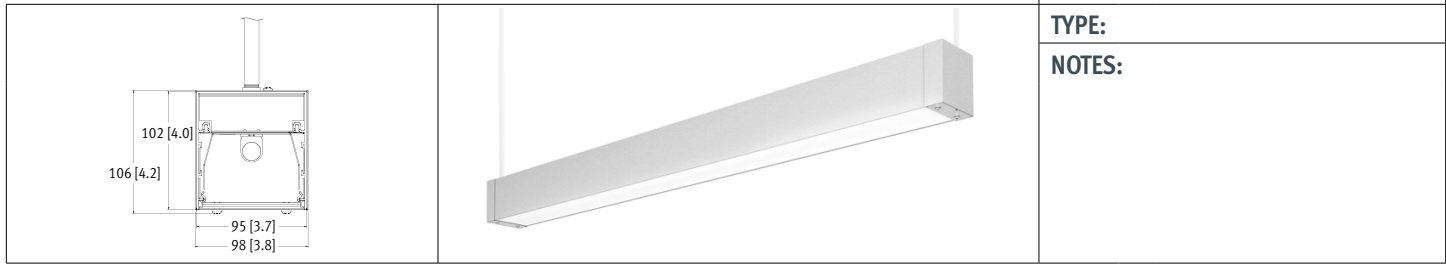


Grande RM4DOD

Fluorescent . Solid Stem . Outdoor



CAT #:
PREP BY:
DATE:
PROJECT:
TYPE:
NOTES:



ORDERING LOGIC

RM4DOD	# of lamps	Source	Length	Optics		Finish	Ballast	Circuitry	SS	Voltage	Options
# of Lamps	Length	Source	Length	Up	Down	Finish	Ballast	Circuitry	Mounting	Voltage	Options
1 = 1 Lamp	4 = 4 ft			Optics Down			E = Electronic Instant Start (T8)		SS = Solid Stem		SP = Surge Protection
2 = 2 Lamps	8 = 8 ft			MA = Meta Ice w/ Asymmetrical Reflector			R = Programmed Rapid Start		SELECT HANGER FINISH AND HANGER LENGTH ON P2		EF = End Feed (Alone fixtures only)
	12 = 12 ft			Finish			D1 = 0-10V Dimming		Voltage		_ = None (leave space empty)
Source	R = Continuous Rows Consult factory			SA = Satin Aluminum			Circuitry		1 = 120 V		
T8	Optics Up			W = White			1 = 1 Circuit		2 = 277 V		
T5	- = None (leave space empty)			C = Custom Finish Specify RAL#:			LR = Left/Right Switching (2 lamps) (Not available on 4ft units with EM option)		3 = 347 V		
T5HO							EM = Emergency/Night Light		4 = UNV (120-277 V)		
									For other voltage contact factory		

SPECIFICATIONS

Due to the Continuous Improvement Policy at Metalumen, we reserve the right to change our specifications without notice.

Housing: Rigid extruded aluminum body, 2.0mm (0.08") nominal wall thickness. Aluminum formed end caps.

Finish: Satin aluminum and white are standard finishes. For custom finish, contact factory.

Weight: 2.1 kg/300mm [4.6 lb/ft]

Mounting: Recessed, Solid Stem, Surface (Ceiling), Wall: horizontal mount with lens facing down; vertical surface with lens facing out.

Electrical: Factory prewired.

Ballast: Instant Start, Programmed Rapid Start, 0-10V Dimming

Options: Refer to Ordering Logic chart above.

Approvals: Certified to NRTL and IES testing standards. This product is cULus listed.

RoHS compliant. IC rated and Non-IC rated.

Environment: Suitable for wet locations. Suitable for natatorium environments.

WARRANTY

Metalumen will warrant a one year parts and labour warranty. Warranty is valid if luminaire is installed and used according to specification. The Ballast will carry a standard 5 year warranty by the manufacturer. If defective, Metalumen will send replacement ballasts or drivers at no cost along with detailed replacement instructions and instructions on how to return defective components to Metalumen.

APPROVALS

Signature _____

Date _____

FILE NAME: RM4DOD_FL_SS_20181016

570 Southgate Drive, Guelph, Ontario N1G 4P6
Mailing Address: P.O. Box 1779 Guelph, Ontario, N1H 6Z9

1.800.621.6785 | T 519.822.4381 | F 519.822.4589
www.metalumen.com

Metalumen

FEATURES

COMMERCIAL // Commercial Lighting - With over 30 years of successful architectural lighting, providing unique concept and installation solutions has become second nature. Metalumen's Start to End Development Process results in unique performance, design and architectural requirements from concept through implementation. Metalumen's Lighting Solutions have been

applied to customer projects requiring: high profile architectural installations; improved energy efficiency; retrofit installations; unique installations. Metalumen can provide top-quality innovative fixtures when and where they are needed and, at the same time, allow the customer to determine their level of involvement in Metalumen's Start to End Development Process.

MEDILUMEN // Healthcare Lighting Every product in our broad line of healthcare luminaires has been strategically engineered to meet modern healthcare demands while addressing patient needs and aesthetic requirements.

MetaICE META ICE is a smooth Continuum Optical System with a 91% transmission rate that creates

smooth subdued lighting with no source imagery. Meta Ice is a premium lensing optic unique to Metalumen but coupled with a high performance side kicking specular reflector to maximize the lumens from the source creating an unparalleled lumen delivery.

WET Suitable for wet location.

HANGAR INFORMATION

Select Hanger Length and Finish:

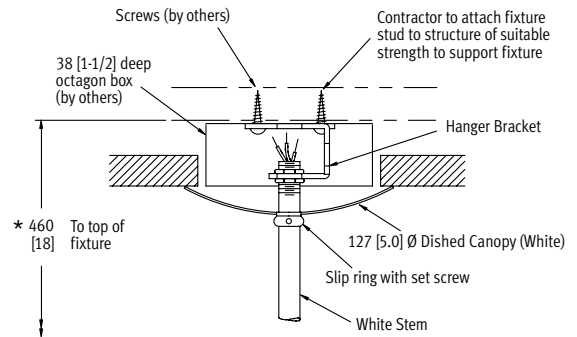
SOLID STEM - 1/2" OD STANDARD
Standard supplied length is 18" (460mm). Hangers will be supplied at closest length. All other lengths are considered custom unless otherwise stated.

	IMPERIAL (in)	METRIC (mm)		IMPERIAL (in)	METRIC (mm)
<input type="checkbox"/>	12	305	<input type="checkbox"/>	33	840
<input type="checkbox"/>	15	380	<input type="checkbox"/>	36	915
<input type="checkbox"/>	18	460	<input type="checkbox"/>	39	990
<input type="checkbox"/>	21	533	<input type="checkbox"/>	42	1067
<input type="checkbox"/>	24	610	<input type="checkbox"/>	45	1145
<input type="checkbox"/>	27	685	<input type="checkbox"/>	48	1220
<input type="checkbox"/>	30	760			

Custom length (indicate length in inches): _____

HANGER FINISH

<input type="checkbox"/>	White (Standard)
<input type="checkbox"/>	Custom Specify RAL#: _____



PHOTOMETRIC DATA

2 T8 LAMPS

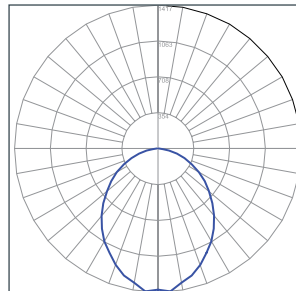
File Name: RM4DOD-2T8-4-M
Luminaire Lumens: 3458
Total Watts: 79.2
Efficacy: 44 lms/W
Optics Up: None
Optics Down: Meta Ice

COEFFICIENTS OF UTILIZATION

Zonal Cavity Method Effective Floor Cavity Reflectance = .20

RC	80				70				50			
	70	50	30	10	70	50	30	10	50	30	10	
RCR												
0	71	71	71	71	69	69	69	69	66	66	66	
1	65	62	60	57	63	61	59	57	58	56	55	
2	59	54	50	47	58	53	50	47	51	48	45	
3	54	48	43	39	53	47	43	39	45	42	38	
4	50	43	38	34	48	42	37	33	40	36	33	
5	46	38	33	29	45	38	33	29	36	32	29	
6	42	35	29	26	41	34	29	25	33	28	25	
7	39	31	26	23	38	31	26	23	30	26	22	
8	37	29	24	20	36	28	24	20	28	23	20	
9	34	26	22	18	33	26	21	18	25	21	18	
10	32	24	20	17	31	24	20	17	24	19	17	

PHOTOMETRIC CURVE



LUMINANCE DATA (CD/M²)

Vertical Angle	Horizontal Angle		
	0	45	90
45	8597	4927	4152
55	7968	3801	3122
65	6961	2690	2130
75	5381	1536	1177
85	2868	451	335

CANDLE DISTRIBUTION

Vertical Angle	Horizontal Angle				
	0.0	22.5	45.0	67.5	90.0
0	1392.85	1392.85	1392.85	1392.85	1392.85
5	1384.23	1403.72	1391.68	1416.95	1360.75
10	1316.19	1354.32	1368.02	1343.97	1325.30
15	1301.73	1304.08	1285.80	1297.98	1289.49
20	1237.13	1257.55	1238.92	1222.11	1226.50
25	1179.14	1172.30	1162.05	1135.21	1119.94
30	1104.21	1080.39	1087.13	1059.42	1046.75
35	1012.98	1014.66	992.28	965.35	949.36
40	928.94	913.45	888.88	863.96	847.21
45	822.78	818.85	787.18	761.55	756.27
50	727.65	716.03	683.22	656.45	662.67
55	638.28	613.43	586.59	564.01	562.69
60	529.97	519.64	487.22	468.14	457.60
65	432.04	414.73	387.87	369.70	368.12
70	328.84	313.42	293.81	278.42	276.89
75	226.78	214.10	199.19	193.11	188.59
80	139.51	130.46	121.54	112.20	107.64
85	60.07	57.24	50.17	48.38	47.83
90	16.35	13.07	8.71	9.04	9.36

PHOTOMETRIC DATA (continued)

2 T5 LAMPS

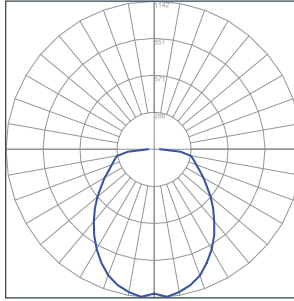
File Name: RM4DOD-2T5-4-M
 Luminaire Lumens: 3143
 Total Watts: 62
 Efficacy: 51 lms/W
 Optics Up: None
 Optics Down: Meta Sice

COEFFICIENTS OF UTILIZATION

Zonal Cavity Method Effective Floor Cavity Reflectance = .20

RC	80				70				50			
	RW	70	50	30	10	70	50	30	10	50	30	10
RCR												
0	72	72	72	72	70	70	70	70	67	67	67	
1	65	61	58	55	63	60	57	54	57	55	53	
2	58	53	48	44	57	52	47	44	49	46	43	
3	53	46	41	37	52	45	40	36	43	39	36	
4	49	41	35	31	47	40	35	31	39	34	30	
5	45	37	31	27	43	36	31	27	35	30	26	
6	41	33	27	23	40	32	27	23	31	27	23	
7	38	30	25	21	37	30	24	21	29	24	21	
8	36	27	22	19	35	27	22	19	26	22	18	
9	34	25	20	17	33	25	20	17	24	20	17	
10	32	23	19	15	31	23	18	15	22	18	15	

PHOTOMETRIC CURVE



CANDLE DISTRIBUTION

Vertical Angle	Horizontal Angle				
	0.0	22.5	45.0	67.5	90.0
0	1112.08	1112.08	1112.08	1112.08	1112.08
5	1116.84	1142.45	1128.63	1135.57	1091.80
10	1106.59	1118.06	1126.35	1101.95	1119.31
15	1063.82	1083.28	1071.10	1075.96	1073.70
20	1011.14	1034.91	1017.81	1018.33	1000.48
25	956.42	964.97	951.84	943.58	933.82
30	895.63	888.23	881.16	861.36	845.53
35	811.65	807.61	795.07	778.47	768.70
40	730.89	723.92	706.81	684.58	675.11
45	653.46	646.87	626.73	609.58	592.88
50	574.63	571.10	546.39	529.37	518.68
55	501.97	497.71	476.71	464.01	454.26
60	448.55	441.02	423.15	407.47	405.34
65	396.19	386.84	374.53	363.28	362.53
70	356.01	344.96	332.88	326.47	320.40
75	315.90	316.02	303.12	295.25	293.29
80	295.10	290.98	275.06	266.06	259.69
85	218.66	203.90	181.61	167.28	167.38
90	70.31	45.87	26.66	17.20	17.84

LUMINANCE DATA (CD/M²)

Vertical Angle	Horizontal Angle		
	0	45	90
45	7150	4148	3453
55	6554	3271	2678
65	6663	2754	2233
75	7794	2483	1953
85	10738	1738	1254

2 T5HO LAMPS

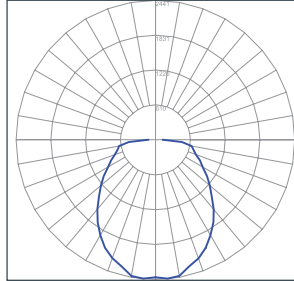
File Name: RM4DOD-2T5HO-4-M
 Luminaire Lumens: 6889
 Total Watts: 118
 Efficacy: 58 lms/W
 Optics Up: None
 Optics Down: Meta Sice

COEFFICIENTS OF UTILIZATION

Zonal Cavity Method Effective Floor Cavity Reflectance = .20

RC	80				70				50			
	RW	70	50	30	10	70	50	30	10	50	30	10
RCR												
0	80	80	80	80	78	78	78	78	75	75	75	
1	73	70	67	65	72	69	66	64	66	64	62	
2	67	61	57	53	65	60	56	53	58	54	51	
3	61	54	49	44	60	53	48	44	51	47	43	
4	56	48	42	38	55	47	42	38	46	41	37	
5	52	43	37	33	50	42	37	33	41	36	32	
6	48	39	33	29	47	38	33	29	37	32	28	
7	44	35	30	25	43	35	29	25	34	29	25	
8	41	32	27	23	40	32	26	23	31	26	23	
9	39	30	24	21	38	29	24	21	29	24	20	
10	36	27	22	19	35	27	22	19	26	22	19	

PHOTOMETRIC CURVE



CANDLE DISTRIBUTION

Vertical Angle	Horizontal Angle				
	0.0	22.5	45.0	67.5	90.0
0	2402.69	2402.69	2402.69	2402.69	2402.69
5	2396.06	2440.75	2408.79	2391.70	2408.00
10	2292.69	2416.34	2391.31	2389.28	2401.04
15	2243.62	2292.71	2289.67	2280.23	2260.93
20	2198.35	2207.12	2189.84	2176.30	2144.32
25	2114.58	2082.88	2062.90	2013.90	2010.61
30	1939.23	1930.79	1892.06	1856.87	1838.05
35	1792.72	1765.61	1717.51	1680.21	1673.21
40	1603.49	1586.78	1537.17	1500.50	1486.38
45	1431.19	1398.52	1359.82	1311.45	1308.28
50	1258.14	1240.43	1209.05	1160.85	1149.11
55	1104.01	1106.01	1053.32	1033.40	1009.91
60	981.01	956.70	937.14	896.56	895.56
65	874.50	859.97	827.90	801.78	798.26
70	768.85	758.78	743.14	722.86	713.90
75	708.03	691.63	673.29	659.45	661.09
80	662.80	645.26	623.64	603.23	601.35
85	486.82	465.91	434.67	413.85	412.53
90	165.21	123.08	85.63	66.80	60.21

LUMINANCE DATA (CD/M²)

Vertical Angle	Horizontal Angle		
	0	45	90
45	15872	9006	7602
55	14611	7213	5924
65	14909	6060	4877
75	17714	5471	4352
85	24257	4110	3044