

## **STAIL RMEC - Surface (Ceiling) FLUORESCENT & LED INSTALLATION INSTRUCTIONS**

**NOTE:** The following instructions provide general guidelines for product installation. For additional information, consult the applicable electrical codes or contact factory directly for support before attempting anything with uncertainty.

**CAUTION:** Do not assemble fixture runs on floor.

**WARNING:** Risk of fire and electrical shock. **DISCONNECT POWER AT ELECTRICAL PANEL** before installing or servicing this product.

### **GENERAL SAFETY INSTRUCTIONS:**

1. Read all instructions prior to installing this fixture.
2. Keep protective film/plastic on fixtures during installation to protect surface from damage or dirt.
3. This product must be installed in accordance with the applicable installation code by a person familiar with the construction and operation of the product and the hazards involved.
4. All wiring must be performed by a qualified electrician in accordance with national and local building and electrical codes.
5. This fixture must be suitably grounded for your protection against shock hazards and to assure proper operation.
6. Make sure that the power source conforms to the requirements of this fixture.

## STAIL RMEC SURFACE (CEILING) STEP-BY-STEP INSTRUCTIONS

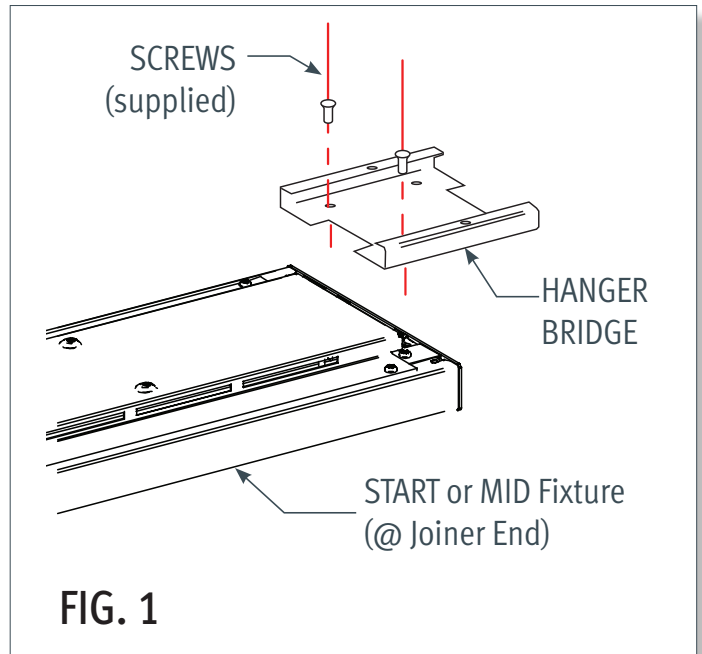
**STEP 1** Install HANGER BRIDGE to Joiner End of START or MID Fixture (FIG.1) using (2) #10 x 1/2" long Self Tapping Flat Head Screws (supplied).

**STEP 2** Remove Parabolic Louvre (FIG. 2) (for Fluorescent only)

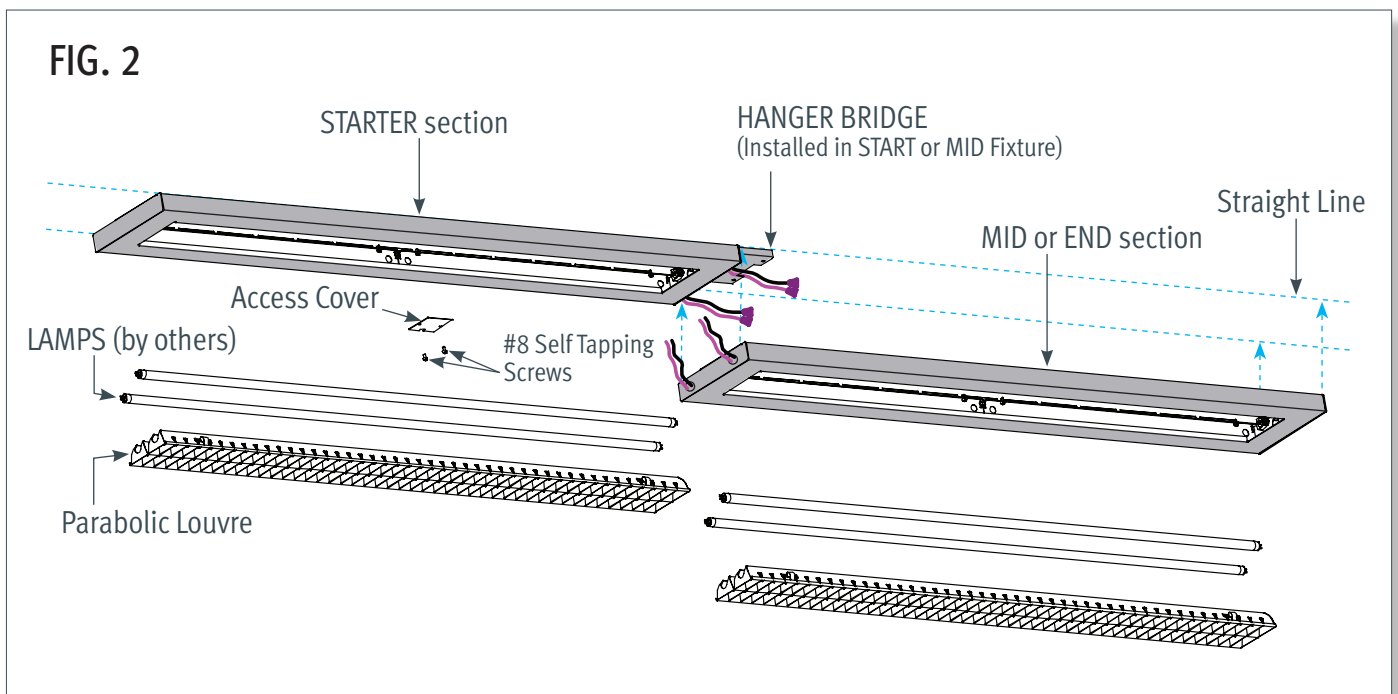
**STEP 3** Unscrew (2) #8B x 3/8" long Self Tapping screws and remove the Access Cover (FIG. 2)

**STEP 4** Align and screw fixture to Ceiling using (4) screws (by others)

**STEP 5** Make Electrical connection and reinstall the Access Cover



**\*\* ENTIRE FIXTURE MUST BE TAKEN DOWN TO SERVICE THE BALLAST \*\***



**STEP 6** Repeat Step #1 & 2. Make Electrical connection to the next fixture. (FIG. 2)

**STEP 7** Follow Step #4 to finish the installation.

**STEP 8** Repeat Step #6 and #7 until run is complete.

**STEP 9** Install all Lamps, reinstall all Parabolic Louvers (for Fluorescent only)

**STEP 10** Make Electrical Supply connections.

\*\*For stand alone fixtures, follow STEPS: 2, 3, 4, 5, 9 & 10

