

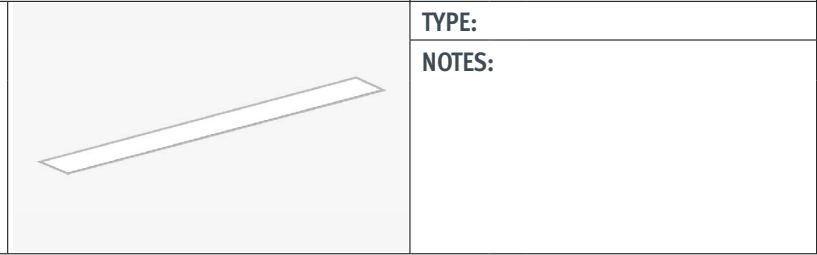
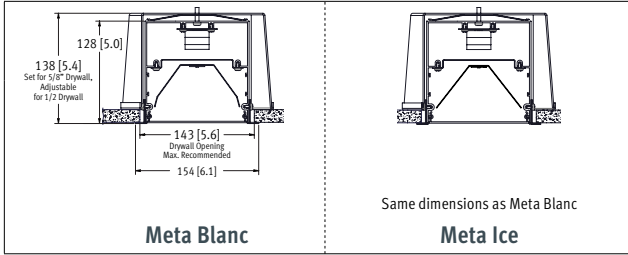
Rail 6 S6

LED . Recessed Drywall Flanged



DLC Applicable only to Meta Ice Optics

CAT #:
PREP BY:
DATE:
PROJECT:
TYPE:
NOTES:



ORDERING LOGIC

Example Part Number: S6-1L35K-8-MB-W-L31-D-1-D-90

S6				Optics						D					
Series	Color Temp	Length	Pattern	Up	Down	Finish	LL/Driver	Circuitry	Mounting	Voltage	Controls	Options			
Color Temp		Optics Up		Light Level (LL) / Driver				Circuitry		Controls					
1L30K = 3000K	90 CRI is available under Options	- = None (leave space empty)		Performance at 3500K 0-10V Dimming (Standard) Integral Drivers				1 = 1 Circuit	- = None (leave space empty)						
1L35K = 3500K		Optics Down		Optics	Light Level	Lumens Delivered	Wattage	Efficacy (lm/W)	EM = Emergency / Night Light	D = Daylight Sensor					
1L40K = 4000K		MB = Meta Blanc (Opal Diffuse)	MB		L1	1479	13.8	107	B = Battery Pack	O = Occupancy Sensor					
1LTUN = 2-White Tunable (2700 - 6500K)		M = Meta Ice (High Output Semi-Diffuse)		L2	1824	17.6	104	Mounting		DO = Daylight/Occupancy Sensor					
Length		Pattern		Finish		L3	2435	24.2	101	Options					
2 = 2 ft		8 = 8 ft		SA = Satin Aluminum		L4	4483	49.9	90	D = Recessed Drywall Flanged					
3 = 3 ft		9 = 9 ft		W = White		M		L1	1730	13.8	125	Voltage		90 = 90 CRI	
4 = 4 ft		10 = 10 ft		C = Custom Finish Specify RAL#:		Based on 4ft sections.		L2	2133	17.6	121	1 = 120 V		- = None (leave space empty)	
5 = 5 ft		11 = 11 ft		C = Custom Pattern*		Lumen Adjustment Factor		L3	2850	24.2	118	2 = 277 V			
6 = 6 ft		12 = 12 ft		Enter pattern dimensions on p.2		Color Temp		L4	5248	49.8	105	3 = 347 V			
7 = 7 ft		R = Continuous Rows (See p.3)				80 CRI						4 = UNV (120 - 277 V)			
C = Custom Length (Consult factory)		- = None (leave space empty)				90 CRI									
- = None (leave space empty)															

* Consult factory for custom patterns, including X and T patterns.

SPECIFICATIONS

Due to the Continuous Improvement Policy at Metalumen, we reserve the right to change our specifications without notice.

Housing: Rigid extruded aluminum body, 2.0mm (0.08") nominal wall thickness, and steel formed end caps.

Optical System: Metalumen luminaires are designed to utilize leading edge LED technology combined with luminaire optimized reflectors and our custom diffusers, resulting in industry leading optical performance.

CRI: 83+ for 3500K, 80 minimum for all CCTs in standard configurations.

Lumen Maintenance: Minimum 50,000hrs with TM-21 lumen maintenance of 85% @ 25°C ambient temperature (calculated based on IESNA LM-80-08 LED test data). L70: ≥ 60 000hrs.

Finish: Satin aluminum and white are standard finishes. For custom finish, contact factory.

Weight: 1.7 kg/300mm [3.8 lb/ft]

Mounting: Mounting brackets/clips provided.

Electrical: Factory prewired with easy wire quick connect sections.

Drivers: Metalumen offers dimming drivers as a standard on our entire LED product offering at 0-10V. Dimming range is 10%-100%. Power factor is > 90%. Class 2 rating. Drivers are integral.

Lutron Driver Options: Consult factory for Lutron LED driver options:

LHE H-Series Hi-lume 1% EcoSystem

LA2 A-Series Hi-lume 1% 2-wire

LSE 5-Series EcoSystem 5-Series Controls: Refer to Ordering Logic chart above.

Approvals: Certified to NRTL safety and IES recommendation testing standards. cULus listed. All components are CSA/QPS recognized or listed, RoHS, LM79, LM80 and LM82 compliant.

Environment: Suitable for dry or damp locations.

APPROVALS Signature _____

Date _____

FILE NAME: S6_D_SPEC SHEET_20190806

570 Southgate Drive, Guelph, Ontario N1G 4P6
 Mailing Address: P.O. Box 1779 Guelph, Ontario, N1H 6Z9

1.800.621.6785 | T 519.822.4381 | F 519.822.4589
 www.metalumen.com

Metalumen

Rail 6 S6 LED . Recessed Drywall Flanged

WARRANTY

Metalumen will warrant defective luminaires for 5 years from date of purchase. Warranty is valid if luminaire is installed and used according to specification. If defective, Metalumen will send replacement boards or drivers at no cost along with detailed replacement instructions and instructions on how to return defective components to Metalumen.

FEATURES



Commercial Lighting - With over 30 years of successful architectural lighting, providing unique concept and installation solutions has become second nature. Metalumen's Start to End Development Process results in unique performance, design and architectural requirements from concept through implementation. Metalumen's Lighting Solutions have been applied to customer

projects requiring: high profile architectural installations; improved energy efficiency; retrofit installations; unique installations. Metalumen can provide top-quality innovative fixtures when and where they are needed and, at the same time, allow the customer to determine their level of involvement in Metalumen's Start to End Development Process.



Educational Lighting - A collection of premium luminaires that maximize both the functionality and performance of any educational facility. Based on maximum efficiency, integration of controls and exceptional design, Edulumen will earn high marks for meeting your requirements. Students challenge themselves throughout the day to achieve, and Metalumen is dedicated to this by

creating sustainable environments that foster enhanced educational experiences.



Suitable for dry or damp locations.

	<p>RAIL 6 S6 Family DLC Approved</p> <p>Applicable only to Meta Ice Optics</p>	<p>For more Metalumen DLC Approved Products, visit the DLC Website</p>
--	---	--

PATTERNS

Select Pattern:	Square (G)	Rectangle (G)	U-Shape (U)	L-Shape (L)
Pattern Configuration				
Indicate Desired Lengths (ft)	A =	A = B =	A = B = C =	A = B =
Minimum Lengths	4' for all sides		A = 3', B = 4', C = 3'	A = 3', B = 3'

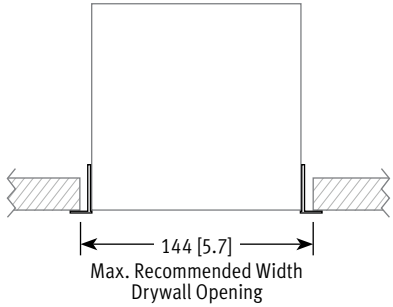
Record drawings will be sent out upon order showing mounting locations.

MOUNTING - ROW CONFIGURATIONS

QTY	Nominal Length	Run Length Overall	Max. Recommended Length Drywall Opening (Max. Rec. Width = 144mm)	Alone Length	Start Length	Mid Length(s)	End Length	Light Level STD = Standard w/EM = With Emergency	
	4'	1243 [48.9]	1232 [48.5]	4				STD	1221 [48.1]
								w/EM	
	8'	2462 [96.9]	2451 [96.5]	8				STD	2440 [96.1]
								w/EM	
	12'	3682 [145.0]	3671 [144.5]	12				STD	3660 [144.1]
								w/EM	
	16'	4900 [192.9]	4890 [192.5]	8	8			STD	4878 [192.0]
								w/EM	
	20'	6120 [241.0]	6110 [240.5]	12	8			STD	6098 [240.1]
								w/EM	
	24'	7340 [289.0]	7330 [288.6]	12	12			STD	7318 [288.1]
								w/EM	
	28'	8558 [336.9]	8548 [336.5]	8	12	8		STD	8536 [336.1]
								w/EM	
	32'	9778 [385.0]	9768 [384.6]	12	8	12		STD	9756 [384.1]
								w/EM	
	36'	10998 [433.0]	10988 [432.6]	12	12	12		STD	10976 [432.1]
								w/EM	
	40'	12216 [481.0]	12206 [480.6]	12	8	12		STD	12194 [480.1]
								w/EM	
	44'	13436 [529.0]	13426 [528.6]	12	12	12		STD	13414 [528.1]
								w/EM	
	48'	14656 [577.0]	14646 [576.6]	12	12	12		STD	14634 [576.1]
								w/EM	

LEGEND

- A = Run Length (Body)
- Standard (STD) Wire Entry Location (located on the end cap)
- Emergency (EM) Lighting Location
- Emergency Wire Entry Location (located on the end cap)



PHOTOMETRIC DATA - 3500K - L3

Meta Blanc

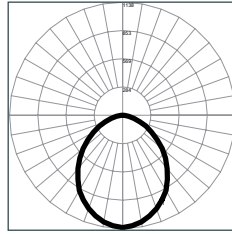
File Name: S6-1L35K-4-MB-L3
 Luminaire Lumens: 2435
 Total Watts: 24.2
 Efficacy: 101 lm/W

COEFFICIENTS OF UTILIZATION

Zonal Cavity Method | Effective Floor Cavity Reflectance = .20

RC RW	80				70				50			
	70	50	30	10	70	50	30	10	50	30	10	10
RCR												
0	119	119	119	119	116	116	116	116	111	111	111	111
1	110	106	102	98	107	103	100	97	99	96	94	94
2	101	93	87	82	98	91	86	81	88	83	79	79
3	93	83	75	69	90	81	74	69	78	72	68	68
4	85	74	66	60	83	73	65	59	70	64	59	59
5	79	67	58	52	77	66	58	52	64	57	51	51
6	73	61	52	46	71	60	52	46	58	51	45	45
7	68	55	47	41	66	54	47	41	53	46	41	41
8	64	51	43	37	62	50	42	37	49	42	37	37
9	60	47	39	34	58	46	39	33	45	38	33	33
10	56	43	36	31	55	43	35	31	42	35	30	30

PHOTOMETRIC CURVE



LUMINANCE DATA (CD/M²)

Vertical Angle	Horizontal Angle		
	0	45	90
45	4443	2684	2224
55	3665	1899	1520
65	2843	1223	937
75	1889	623	454
85	733	153	113

CANDELA DISTRIBUTION

Vertical Angle	Horizontal Angle				
	0	22.5	45	67.5	90
0	1129	1129	1129	1129	1129
5	1116	1105	1138	1102	1118
10	1089	1088	1095	1089	1067
15	1048	1042	1038	1035	1038
20	997	991	983	974	977
25	938	929	914	900	889
30	874	860	834	812	806
35	786	775	749	721	707
40	700	693	653	625	621
45	610	597	567	525	520
50	521	503	465	439	431
55	425	416	383	355	346
60	340	331	302	275	273
65	259	248	227	208	201
70	185	176	162	145	142
75	120	114	102	94	89
80	63	60	53	50	48
85	25	23	21	20	19
90	6	5	5	6	5

ZONAL LUMEN SUMMARY

Zone	Lumens	%Fixt
0-20	399	16.4
0-30	819	33.6
0-40	1287	52.8
0-60	2067	84.9
0-80	2407	98.8
0-90	2435	100
10-90	2330	95.7
20-40	888	36.5
20-50	1324	54.3
40-70	1008	41.4
60-80	340	14
70-80	112	4.6
80-90	28	1.2
90-110	0	0
90-120	0	0
90-130	0	0
90-150	0	0
90-180	0	0
110-180	0	0
0-180	2435	100

Meta Ice

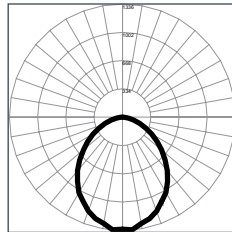
File Name: S6-1L35K-4-M-L3
 Luminaire Lumens: 2850
 Total Watts: 24
 Efficacy: 118 lm/W

COEFFICIENTS OF UTILIZATION

Zonal Cavity Method | Effective Floor Cavity Reflectance = .20

RC RW	80				70				50			
	70	50	30	10	70	50	30	10	50	30	10	10
RCR												
0	101	101	101	101	99	99	99	99	94	94	94	94
1	93	90	86	84	91	88	85	82	84	82	80	80
2	86	79	74	70	84	78	73	69	75	71	67	67
3	79	71	64	59	77	69	63	59	67	62	58	58
4	73	63	56	51	71	62	56	51	60	54	50	50
5	67	57	50	44	65	56	49	44	54	48	44	44
6	62	52	44	39	61	51	44	39	49	43	39	39
7	58	47	40	35	56	46	40	35	45	39	35	35
8	54	43	36	32	53	43	36	31	41	36	31	31
9	51	40	33	29	50	39	33	29	38	32	28	28
10	48	37	30	26	47	36	30	26	36	30	26	26

PHOTOMETRIC CURVE



LUMINANCE DATA (CD/M²)

Vertical Angle	Horizontal Angle		
	0	45	90
45	5198	3134	2581
55	4347	2212	1751
65	3365	1427	1090
75	2172	730	518
85	839	175	137

CANDELA DISTRIBUTION

Vertical Angle	Horizontal Angle			
	0	30	60	90
0	1323	1323	1323	1323
5	1336	1316	1318	1310
10	1274	1288	1279	1277
15	1240	1222	1226	1221
20	1181	1159	1150	1141
25	1099	1093	1063	1055
30	1028	1003	968	950
35	928	901	861	827
40	824	798	740	716
45	714	692	631	604
50	602	580	522	498
55	504	469	422	399
60	403	374	327	315
65	307	281	248	234
70	216	199	173	166
75	138	128	111	101
80	74	67	59	54
85	28	25	23	23
90	7	6	6	7

ZONAL LUMEN SUMMARY

Zone	Lumens	%Fixt
0-20	470	16.5
0-30	965	33.8
0-40	1515	53.1
0-60	2427	85
0-80	2822	98.9
0-90	2855	100
10-90	2730	95.6
20-40	1046	36.6
20-50	1555	54.5
40-70	1178	41.3
60-80	395	13.8
70-80	129	4.5
80-90	32	1.1
90-110	0	0
90-120	0	0
90-130	0	0
90-150	0	0
90-180	0	0
110-180	0	0
0-180	2855	100