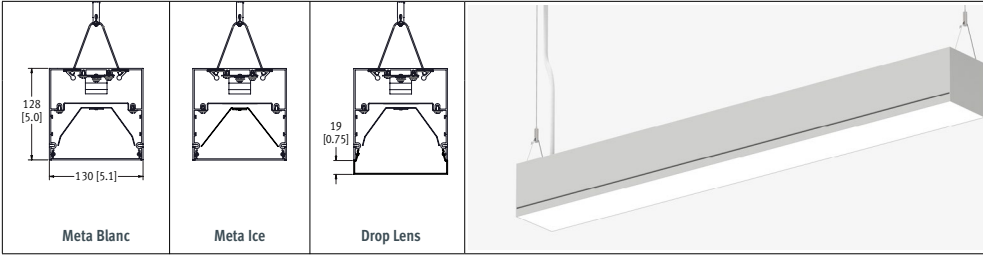


Rail 6 S6 (Formerly Sequence)

LED . Pendant



CAT #:
PREP BY:
DATE:
PROJECT:
TYPE:
NOTES:

ORDERING LOGIC

Example Part Number: S6-1L35K-8-MB-W-L31-PA-1-D-90

S6	Color Temp	Length	Pattern	Optics	Up	Down	Finish	LL/Driver	Circuitry	Mounting	Voltage	Controls	Options
Color Temp	Optics Up	Light Level (LL) / Driver		Circuitry		Voltage							
1L30K = 3000K	_ = None (leave space empty)		Performance at 3500K		1 = 1 Circuit		1 = 120 V						
1L35K = 3500K	Optics Down		0-10V Dimming (Standard)		EM = Emergency / Night Light		2 = 277 V						
1L40K = 4000K	MB = Meta Blanc (Opal Diffuse)		Optics		B = Battery Pack		3 = 347 V						
1LTUN = 2-White Tunable (2700 - 6500K)	M = Meta Ice (High Output Semi-Diffuse)		Light Level		Mounting		4 = UNV (120 - 277 V)						
	MD = Drop Lens**		Lumens Delivered		PA = Pendant Aircraft Cable		Controls						
Length	Pattern	Finish		Wattage		PT = Pendant Aircraft Cable for T-Bar		None (leave space empty)					
2 = 2 ft	8 = 8 ft	SA = Satin Aluminum		Efficacy (LPW)		Select HANGER LENGTH and HANGER FINISH on p.3		D = Daylight Sensor					
3 = 3 ft	9 = 9 ft	W = White		Based on 4ft sections.				O = Occupancy Sensor					
4 = 4 ft	10 = 10 ft	C = Custom Finish Specify RAL#:		Lumen Adjustment Factor				DO = Daylight/Occupancy Sensor					
5 = 5 ft	11 = 11 ft			Color Temp				Options					
6 = 6 ft	12 = 12 ft			80 CRI				90 = 90 CRI					
7 = 7 ft				90 CRI				None (leave space empty)					
R = Continuous Rows (See p.3)				3000K									
C = Custom Length (Consult factory)				3500K									
_ = None (leave space empty)				4000K									

* Consult factory for custom patterns, including X and T patterns. | ** Drop lens is not available with patterns.

SPECIFICATIONS

Due to the Continuous Improvement Policy at Metalumen, we reserve the right to change our specifications without notice.

Housing: Rigid extruded aluminum body, 2.0mm (0.08") nominal wall thickness, and steel formed end caps.

Optical System: Optical System MetaLED mid flux LED technology transmits to an internal high performance-side kicking reflector that then passes through our Meta Blanc or Meta Ice acrylic diffuser for smooth distribution, creating a continuation of smooth consistent light.

CRI: 83+ for 3500K, 80 minimum for all CCTs in standard configurations.

Lumen Maintenance: At an ambient operating temperature of 35°C, the LED lifetime expectancy > 60 000hrs at L85.

Finish: Satin aluminum and white are standard finishes. For custom finish, contact factory.

Weight: 1.7 kg/300mm [3.8 lb/ft]

Mounting: Aircraft cable yoke complete with a Quick-Grip field adjustable suspension system provides for quick and easy on-site alignment.

Electrical: Factory prewired with easy wire

quick connect sections.

Drivers: Metalumen offers dimming drivers as a standard on our entire LED product offering at 0-10V. Dimming is 10%-100% range Power factor is >90% with a Class 2 rating.

Controls: Refer to Ordering Logic chart above.

Lutron Driver Options: Consult factory for Lutron driver options:

- L3DAE Hi-lume 1% EcoSystem LED Driver
- L3DA3W Hi-lume 1% 3-wire LED Driver
- L7EA2W Hi-lume 1% 2-wire LED Driver
- LDE1 Hi-lume 1% -H EcoSystem LED Driver

- LDE5 5-Series EcoSystem LED Driver
- Approvals:** Certified to NRTL safety and IES recommendation testing standards. cULus listed. All components are CSA/QPS recognized or listed, RoHS, LM79, LM80 and LM82 compliant.
- Environment:** Suitable for dry or damp locations.

APPROVALS Signature _____

Date _____

FILE NAME: S6_P_SPEC_SHEET_20180718

570 Southgate Drive, Guelph, Ontario N1G 4P6
Mailing Address: P.O. Box 1779 Guelph, Ontario, N1H 6Z9

1.800.621.6785 | T 519.822.4381 | F 519.822.4589
www.metalumen.com

Metalumen

FEATURES


COMMERCIAL // Commercial Lighting - With over 30 years of successful architectural lighting, providing unique concept and installation solutions has become second nature. Metalumen's Start to End Development Process results in unique performance, design and architectural requirements from concept through implementation. Metalumen's Lighting Solutions have been

applied to customer projects requiring: high profile architectural installations; improved energy efficiency; retrofit installations; unique installations. Metalumen can provide top-quality innovative fixtures when and where they are needed and, at the same time, allow the customer to determine their level of involvement in Metalumen's Start to End Development Process.


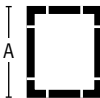


EDULUMEN // Educational Lighting - Edulumen is a collection of premium luminaires that maximize both the functionality and performance of any educational facility. Based on maximum efficiency, integration of controls and exceptional design, Edulumen will earn high marks for meeting your requirements. Students challenge themselves throughout the day to achieve,

and Metalumen is dedicated to this by creating sustainable environments that foster enhanced educational experiences.

DAMP Suitable for dry or damp locations.

	<p>RAIL 6 S6 Family DLC Approved</p>	<p>For more Metalumen DLC Approved Products, visit the DLC Website</p>
---	---	--

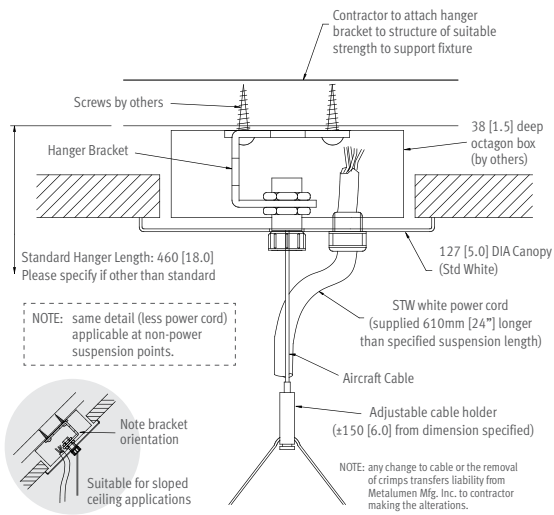
PATTERNS

	Square (G)	Rectangle (G)	U-Shape (U)	L-Shape (L)
Select Pattern				
Pattern Configuration				
Indicate Desired Lengths (ft)	A =	A = B =	A = B = C =	A = B =
Minimum Lengths	4' for all sides		A = 3', B = 4', C = 3'	A = 3', B = 3'

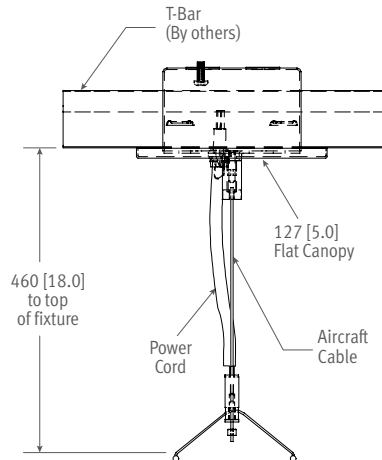
Record drawings will be sent out upon order showing mounting locations.

HANGERS

Aircraft Cable & Cord



T-Bar Aircraft Cable & Cord

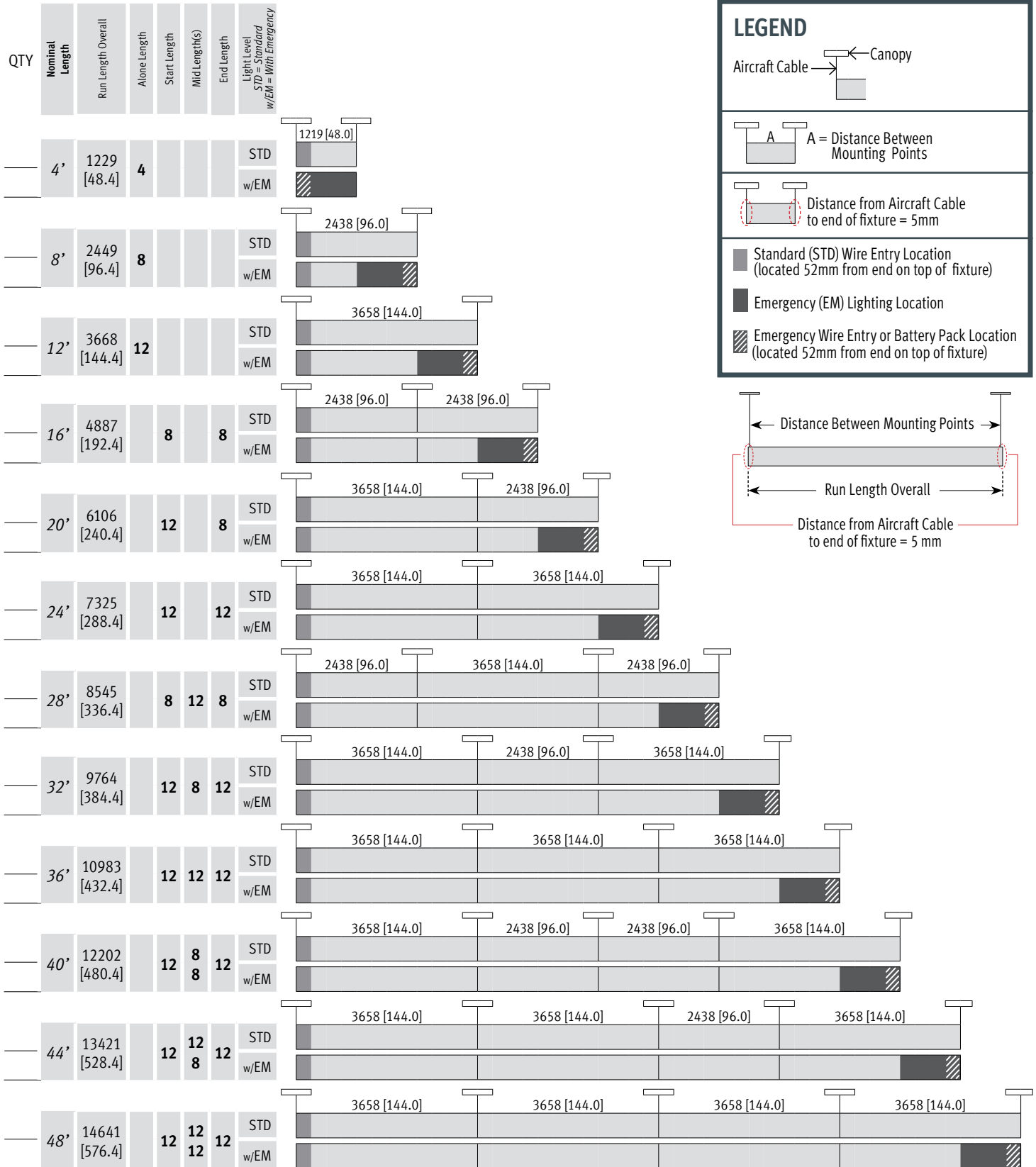


Select Hanger Length below:

AIRCRAFT CABLE		
Total adjustment range is 6" up & down for each standard length.		
All other lengths are considered custom unless otherwise stated.		
	IMPERIAL (in)	METRIC (mm)
<input type="checkbox"/>	12	305
<input type="checkbox"/>	18	460
<input type="checkbox"/>	24	610
<input type="checkbox"/>	30	760
<input type="checkbox"/>	36	915
<input type="checkbox"/>	42	1067
<input type="checkbox"/>	48	1220
<input type="checkbox"/>	54	1372
<input type="checkbox"/>	60	1525
<input type="checkbox"/>	72	1830
<input type="checkbox"/>	96	2440
<input type="checkbox"/>	120	3050
<input type="checkbox"/>	144	3660
<input type="checkbox"/>	Custom length:	

CANOPY FINISH	
<input type="checkbox"/>	White Paint (Standard)
<input type="checkbox"/>	Custom Specify RAL#:

MOUNTING - ROW CONFIGURATIONS



FILE NAME: S6_P_SPEC_SHEET_20180718

