

**NOTE:** The following instructions provide general guidelines for product installation. For additional information consult the applicable electrical codes or contact factory directly for support before attempting anything with uncertainty.

**WARNING:** Risk of fire and electrical shock. **DISCONNECT POWER AT ELECTRICAL PANEL** before installing or servicing this product.

### GENERAL SAFETY INSTRUCTIONS:

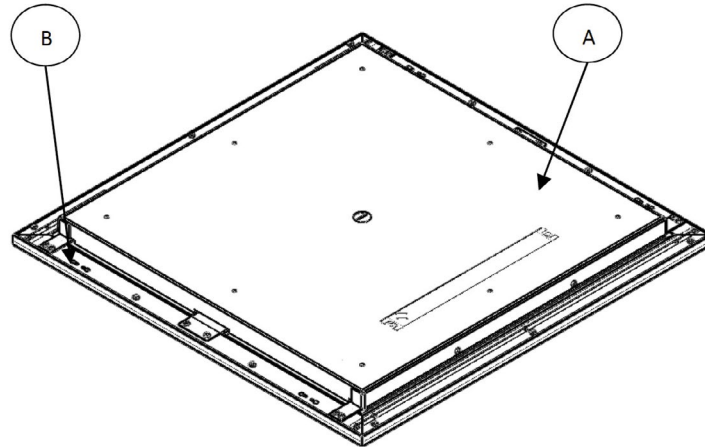
1. Read all instructions prior to installing this fixture.
2. This product must be installed in accordance with the applicable installation code by a person familiar with the construction and operation of the product and the hazards involved.
3. All wiring must be performed by a qualified electrician in accordance with national and local building and electrical codes.
4. This fixture must be suitably grounded for your protection against shock hazards and to assure proper operation.
5. Make sure that the power source conforms to the requirements of this fixture.
6. This product has accessible output terminals. Based on Canadian Electrical Code for class 2 circuits, this product requires installation in Restricted Access Area, so that no live parts are accessible to unauthorized persons.

Specifications and design subject to change without notice.

PARTS LIST: 2x2 INTEGRAL DRIVER

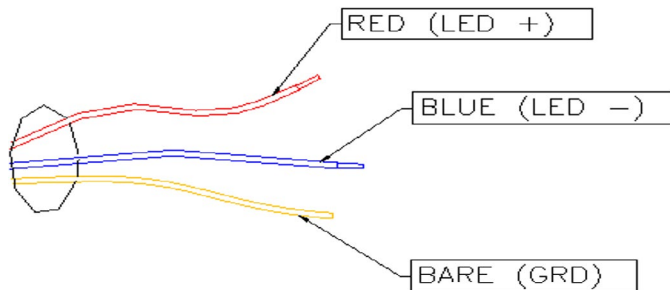
**PARTS LIST**

- A. Hanger Bracket Base
- B. Luminaire



WIRING DIAGRAMS

FIXTURE TO REMOTE / INTEGRAL DRIVER



REMOTE / INTEGRAL DRIVER TO LINE VOLTAGE.

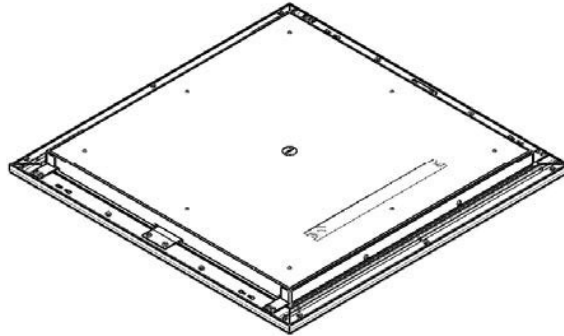
WIRE ENTRY 5 LEADS



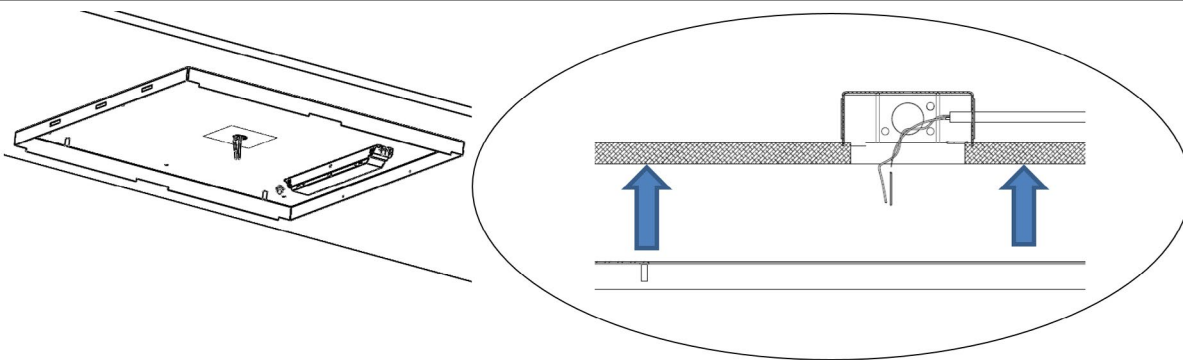
Specifications and design subject to change without notice.

**STEP-BY-STEP INSTALLATION INSTRUCTIONS**

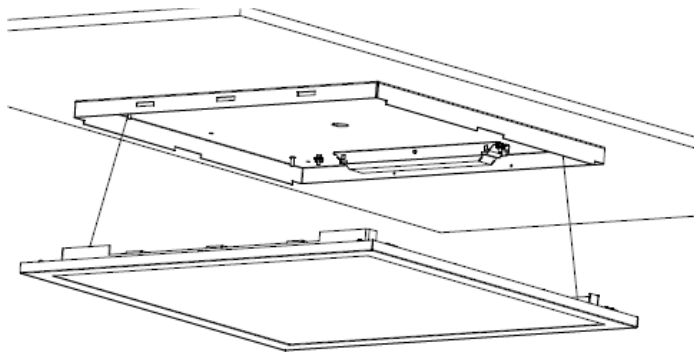
Applicable for both 1x4 and 2x2



**STEP 1.** Remove fixture and all supplied parts from packaging. DO NOT REMOVE the protective film from the front surface of the fixture.



**STEP 2.** Install hanger bracket base (A) into ceiling.

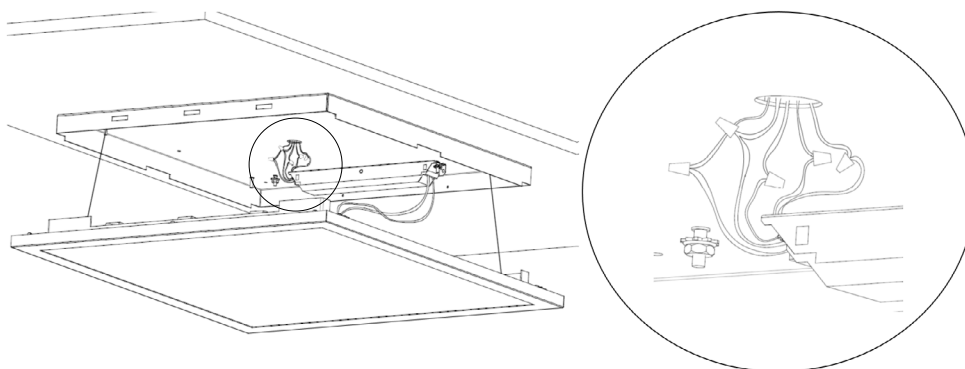


**STEP 3.** Attach safety cable from fixture to hanger bracket

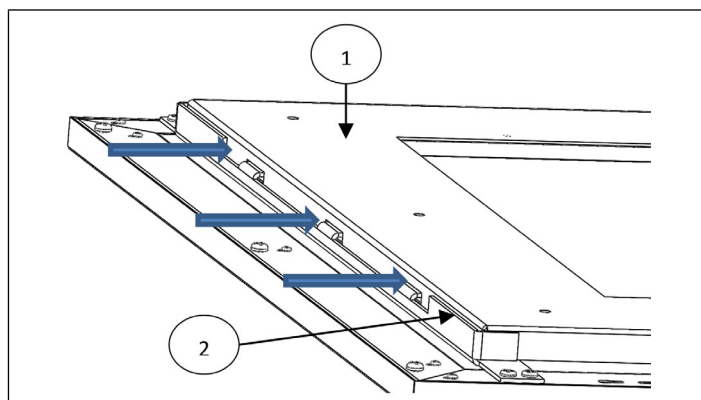
Specifications and design subject to change without notice.

## STEP-BY-STEP INSTALLATION INSTRUCTIONS

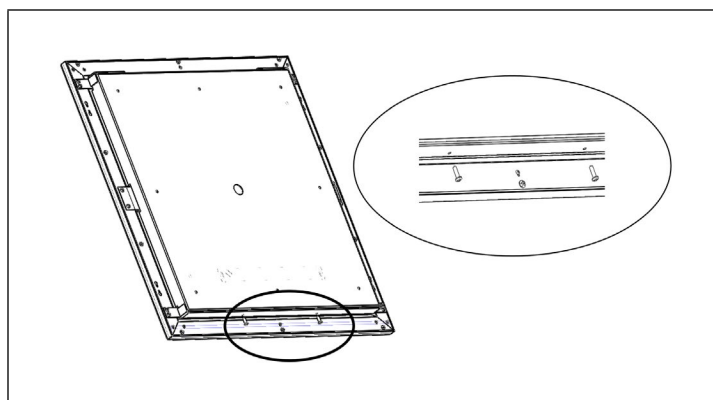
Applicable for both 1x4 and 2x2



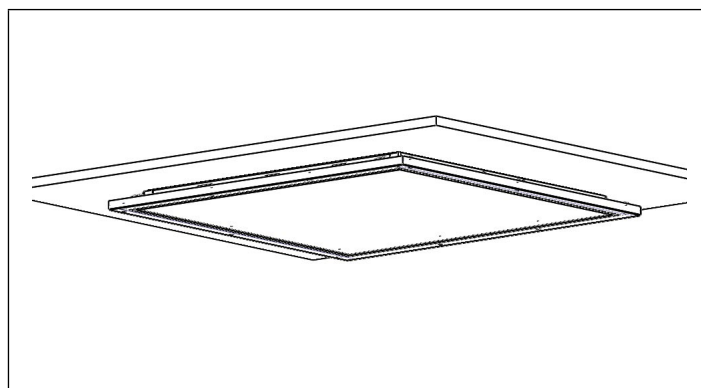
**STEP 4.** Wire integral driver to line voltage. (Refer to wiring diagram from pg.2)



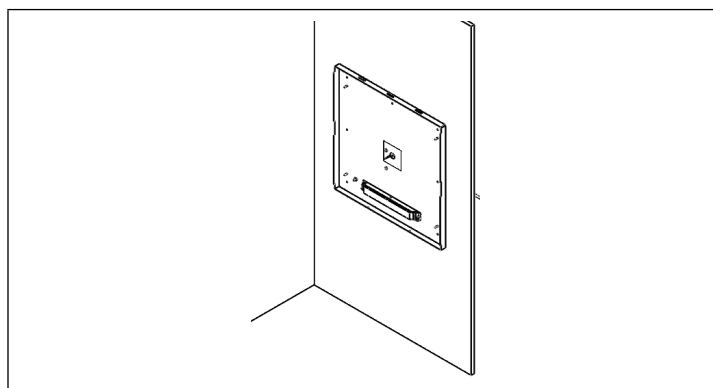
**STEP 5.** Secure the fixture to the **hanger bracket base [1]** by first inserting the tabs on the left side of the **hanger bracket [2]** into the slots of the **hanger bracket base [1]**.



**STEP 6.** Secure luminaire to hanger bracket base using the #8 1/2" screws.



**STEP 7.** Remove protective film from the front surface of the light fixture when installation is completed.

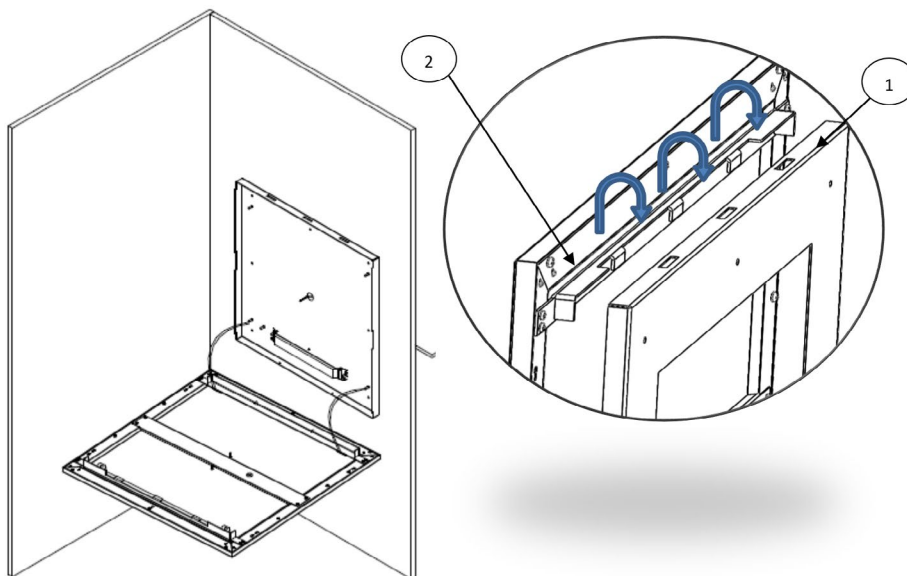


**STEP 8.** For surface wall mount, install hanger bracket base on to the wall.

Specifications and design subject to change without notice.

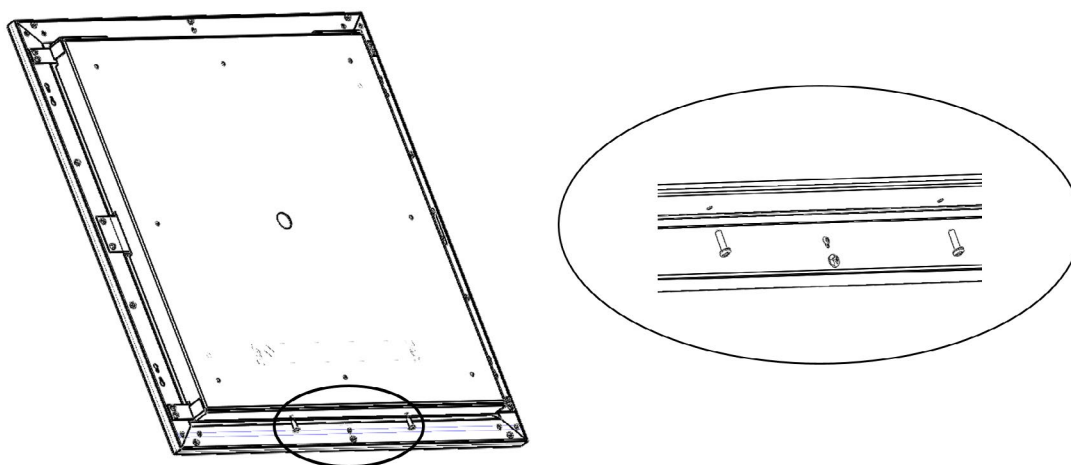
**STEP-BY-STEP INSTALLATION INSTRUCTIONS**

Applicable for both 1x4 and 2x2



**STEP 9.** Reposition and attach safety cables to bottom of hanger bracket base and connect to luminaire. Secure the fixture to the **hanger bracket base [1]** by first inserting the tabs on the left side of the **hanger bracket [2]** into the slots of the hanger

**STEP 10.** Wire line voltage to integral driver. (See Step 4.)

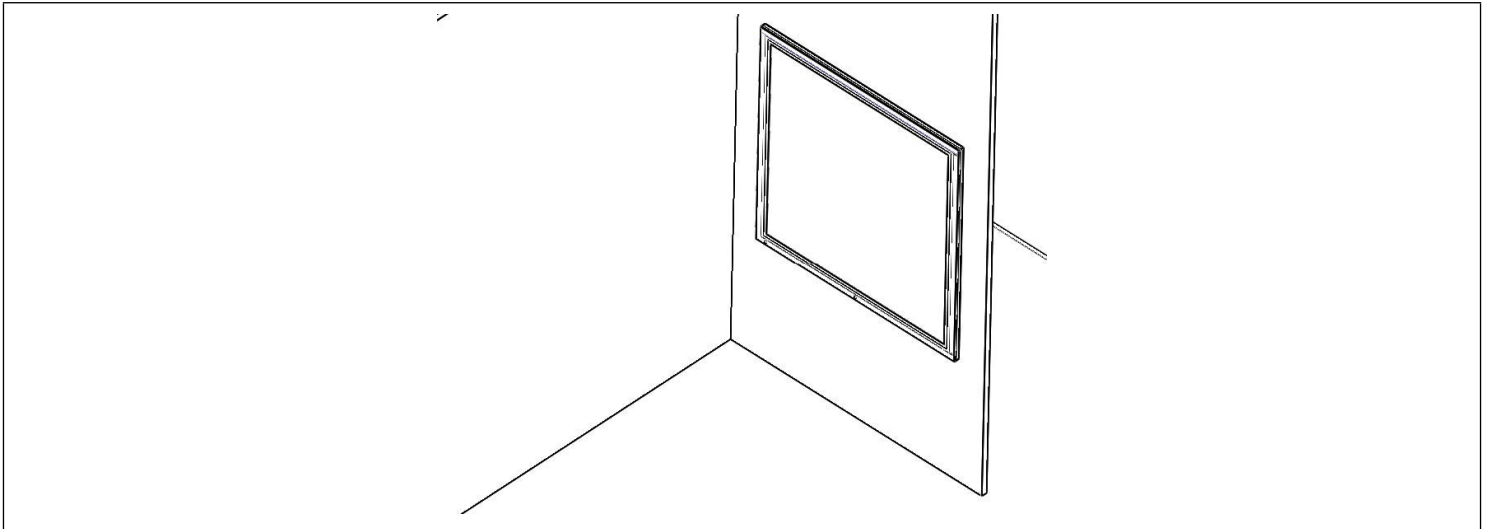


**STEP 11.** Secure luminaire to hanger bracket base using #8 1/2" screws.

Specifications and design subject to change without notice.

**STEP-BY-STEP INSTALLATION INSTRUCTIONS**

Applicable for both 1x4 and 2x2



**STEP 12.** Remove protective film from the front surface of the light fixture when installation is completed.

Specifications and design subject to change without notice.

## MAINTENANCE STEPS

### Required Tools

Plastic / Latex  
Gloves



Screwdriver



**Important:** Use clean gloves to avoid adding oil/dirt to reflector surface. Avoid scratching reflector surface by using installation tools with soft plastic rounded edges.

### To Clean the Optics:

Gently wipe down the optics with a clean, dry cloth to remove any dust and light residues. For heavier smudges, spray clean cloth with mild soap and water solution and gently wipe optics surface.

**WARNING:** Hard wiping and abrasive cloths will scratch the optics. DO NOT USE cleaning products containing alcohol or acetone which will damage the optics.

Specifications and design subject to change without notice.