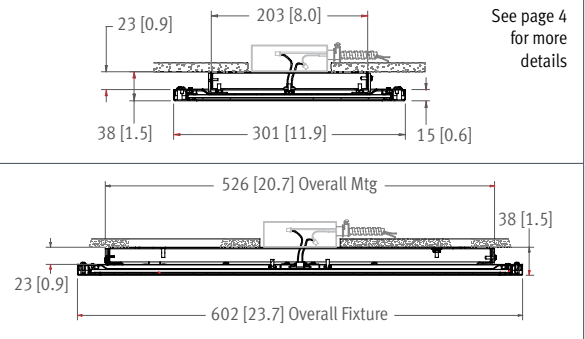


Scene SCEM

LED . Surface



| | |
|----------|--------|
| CAT #: | NOTES: |
| PREP BY: | |
| DATE: | |
| PROJECT: | |
| TYPE: | |



See page 4 for more details

ORDERING LOGIC

| SCEM | | | | AM | 1 | S | | N | | |
|-------------------|--|------------------------|------------------------|--|-----------|-----------|---|---------|--------------------------------|---------|
| Series/Model | Color Temp | Size | Optics | Finish | LL/Driver | Circuitry | Mounting | Voltage | Controls | Options |
| Color Temp | Optics | | | Light Level (LL)/Driver | | | Circuitry | | Controls | |
| 2L30K= 3000K | 2x2' | PQ = Perforated Square | CC = Circle in Circle | Fixture Lumens Light level measured at 3500K. Add 3% lumen output for 4000K. Add 6% lumen output for 5000K. Subtract 2% lumen output for 3000K. | | | 1 = 1 Circuit (Standard) | | N = None | |
| 2L35K= 3500K | | QQ = Square in Square | SD = Standard Diffuser | | | | Mounting | | Options | |
| 2L40K= 4000K | 1x4' | PS = Perforated Strip | SD = Standard Diffuser | | | | S = Surface | | RF = Medical Power Line Filter | |
| 2L50K= 5000K | Custom Graphic Must be ordered through the SCENE PHOTO GRAPHICS Spec Sheet | | | | | | Available for vertical or horizontal mounting | | N = None | |
| Size | Finish | | | | | | Voltage | | | |
| 22 = 2 x 2' | AM = Antimicrobial White Paint | | | | | | 1 = 120 V | | | |
| 14 = 1 x 4' | | | | | | | 2 = 277 V | | | |
| | | | | | | | 3 = 347 V | | | |
| | | | | | | | 4 = UNV (120 - 277V) | | | |

SPECIFICATIONS

Due to the Continuous Improvement Policy at Metalumen, we reserve the right to change our specifications without notice.

Housing: Luminaire body is constructed with 100% aluminum with welded seams and stainless steel hardware.
Optical System: The light emitted from the mid-flux LEDs is channeled inside Metalumen's AccuRay® optical plane where a precisely controlled micro dot matrix pattern directs, shapes and distributes the light throughout the material. A high performance optical reflector and diffuser further guide and extract the light with superb efficiency and

beam control. Standard optics are available. Custom graphics must be ordered through the SCENE PHOTO GRAPHICS Spec Sheet.
CRI: 83+ (3500K) (80 minimum) Consult factory for 90+ CRI.
Lumen Maintenance: At an ambient operating temperature of 25°C the LED lifetime expectancy ≥ 60 000hrs at L70.
Finish: The luminaire housing and associated parts are finished in highly reflective, matte powder coat white paint (91% reflectance) or

antimicrobial white paint. For custom finish, consult factory.
Mounting: Surface mounting brackets provided.
Driver: Metalumen offers dimming drivers as a standard on our entire LED product offering at 0-10V. Dimming range is 10%-100%. Power factor is > 90%. Class 2 rating. All drivers are remote mounted.
Options: Consult factory for Lutron LED driver options:

- LHE H-Series Hi-lume 1% EcoSystem
 - LA2 A-Series Hi-lume 1% 2-wire
 - L5E 5-series EcoSystem
- Approvals:** Certified to NRTL safety and IES Recommended testing standards. All components are UL/CSA/QPS recognized or listed, RoHS, LM79, LM80 and LM82 compliant.
Environment: Suitable for dry or damp locations.

WARRANTY

Metalumen will warrant defective luminaires for 5 years from date of purchase. Warranty is valid if luminaire is installed and used according to specification. If defective, Metalumen will send replacement boards or drivers at no cost along with detailed replacement instructions and instructions on how to return defective components to Metalumen.

LUMINAIRE WATTAGE AND OUTPUT SPECIFICATION

| 2 X 2 | Light Level | Perforated Square (PQ) | | | Square in Square (QQ) | | | Circle in Circle (CC) | | | Standard Diffuse (SD) | | |
|-------|-------------|------------------------|------------------|----------------|-----------------------|------------------|----------------|-----------------------|------------------|----------------|-----------------------|------------------|----------------|
| | | Wattage | Lumens Delivered | Efficacy (LPW) | Wattage | Lumens Delivered | Efficacy (LPW) | Wattage | Lumens Delivered | Efficacy (LPW) | Wattage | Lumens Delivered | Efficacy (LPW) |
| L4 = | | 24 | 2053 | 86 | 24 | 2042 | 85 | 24 | 2040 | 85 | 24 | 2227 | 93 |
| L5 = | | 37 | 2947 | 80 | 37 | 2816 | 76 | 37 | 2816 | 76 | 37 | 3185 | 86 |
| L6 = | | 43 | 3316 | 77 | 43 | 3251 | 76 | 43 | 3251 | 76 | 43 | 3581 | 83 |
| L7 = | | 51 | 3794 | 74 | 51 | 3852 | 76 | 51 | 3846 | 75 | 51 | 4090 | 80 |

| 1 X 4 | Light Level | Perforated Strip (PS) | | | Standard Diffuse (SD) | | |
|-------|-------------|-----------------------|------------------|----------------|-----------------------|------------------|----------------|
| | | Wattage | Lumens Delivered | Efficacy (LPW) | Wattage | Lumens Delivered | Efficacy (LPW) |
| L3 = | | 21 | 1905 | 91 | 21 | 2037 | 97 |
| L4 = | | 48 | 3727 | 78 | 48 | 4068 | 85 |
| L5 = | | 74 | 5668 | 77 | 74 | 5814 | 79 |
| L6 = | | 85 | 6469 | 76 | 85 | 6522 | 77 |

MRI COMPLIANCE INFORMATION

NON-FERROUS COMPONENTS

Due to the strong MRI magnetic force, a projectile effect of over 40mph into the tube can be generated by even small ferrous objects, potentially causing serious injury. Therefore, all MRI fixtures are carefully engineered with non-ferrous materials. Housings made from aluminum extrusion, internal parts are built from aluminum or plastics, all hardware are from SS.

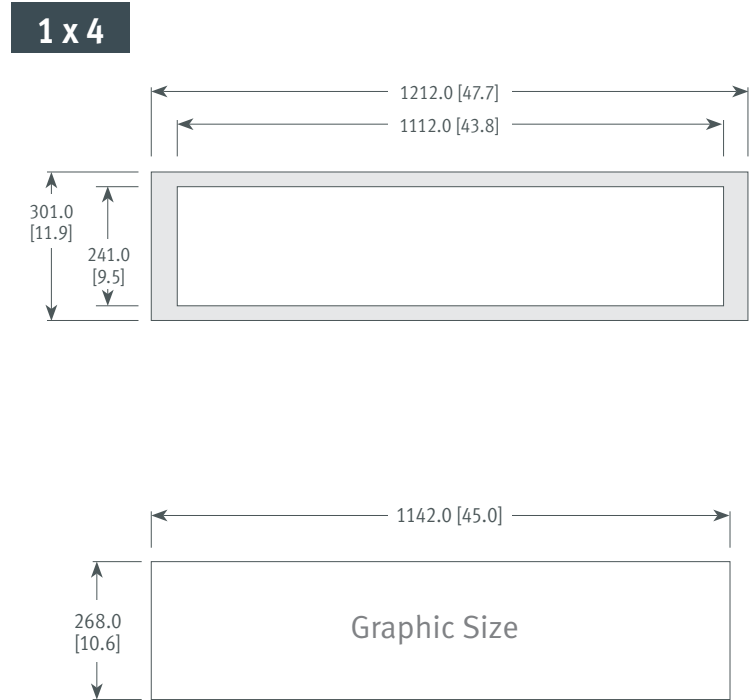
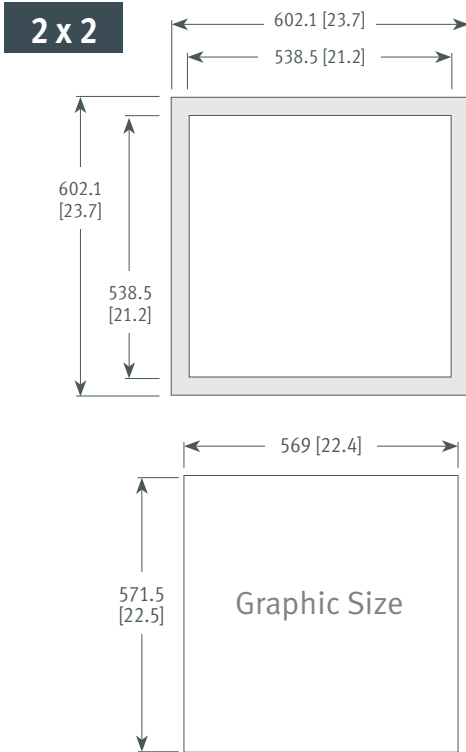
REMOTE MOUNTING

All MRI compliant luminaires are to be remote mounted due to steel construction of the fluorescent ballast or LED driver. In an LED configuration, the electricity going from the driver to the fixture is Direct Current (DC) which further reduces the chance of interference.

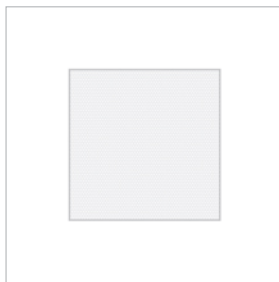
ELECTRONIC NON-INTERFERENCE

Luminaires meet the most stringent requirements for electromagnetic compatibility. MRI machines emit powerful radio frequency pulses and imaging may be compromised by electronics interference within the area. All fixtures should not interfere with, nor should they be susceptible to, these frequencies. An RF filter can be utilized to eliminate interference.

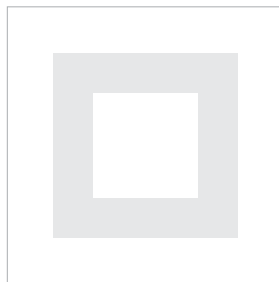
DIMENSIONS



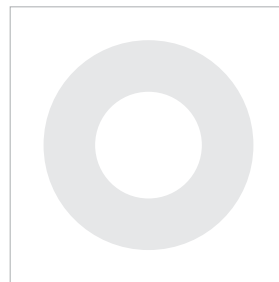
STANDARD OPTICS



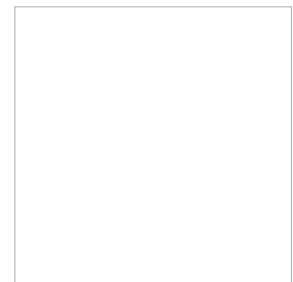
PQ - Perforated Square



QQ - Square in Square



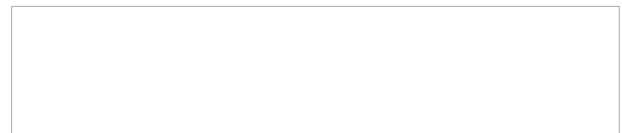
CC - Circle In Circle



SD - Standard Diffuse



PS - Perforated Strip



SD - Standard Diffuse

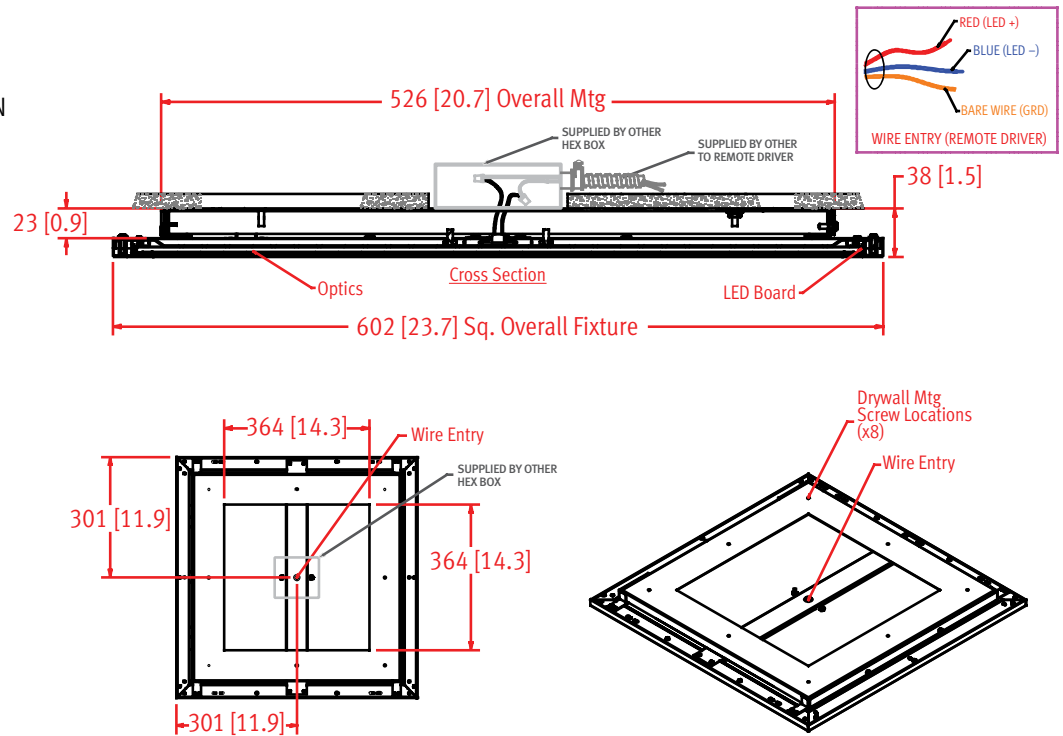
TO CLEAN THE OPTICS: Gently wipe down the optics with a clean, dry cloth to remove any dust and light residues.

For heavier smudges, spray clean cloth with mild soap and water solution and gently wipe optics surface.

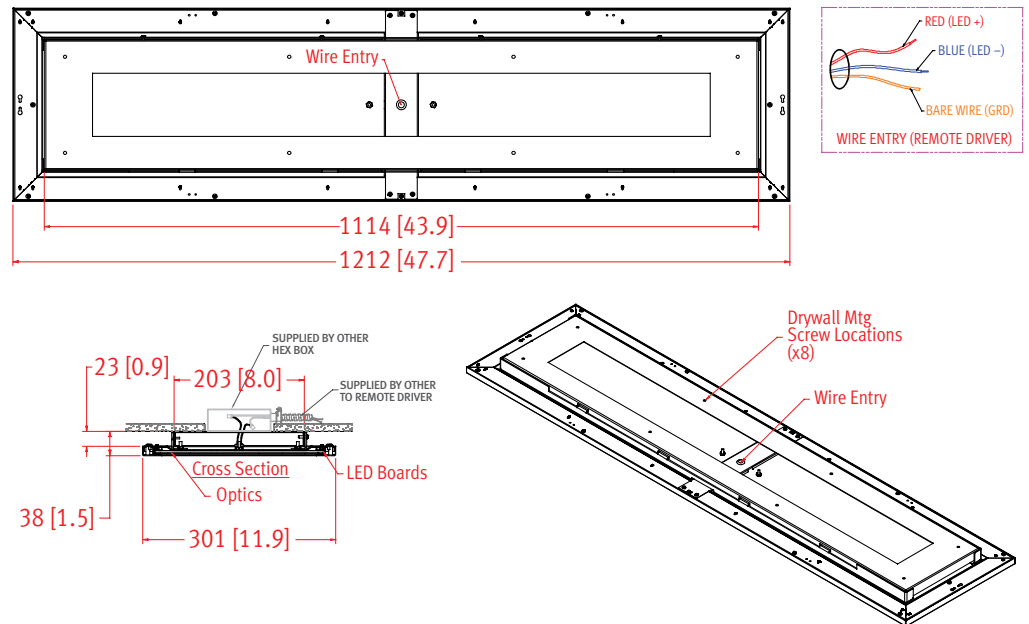
WARNING: Hard wiping and abrasive cloths will scratch the optics. DO NOT USE cleaning products containing alcohol or acetone which will damage the optics.

CROSS SECTIONS

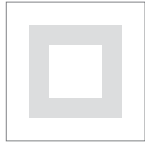
2x2
 Surface Drywall
 Remote Driver
 SCEM-2L35K-22-SD-AM-L51-S-4-N



1x4
 Surface Drywall
 Remote Driver
 SCEM-2L35K-14-SD-AM-L51-S-4-N



PHOTOMETRIC DATA - 3500K



Square in Square

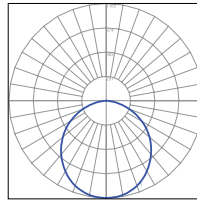
File Name: SCE-2L35K-22-QQ-L6
 Luminaire Lumens: 3251
 Total Watts: 43
 Efficacy: 76 lm/W

COEFFICIENTS OF UTILIZATION

Zonal Cavity Method | Effective Floor Cavity Reflectance = .20

| RC RW | 80 | | | | 70 | | | | 50 | | | |
|----------|-----|-----|-----|-----|-----|-----|-----|-----|-----|-----|-----|-----|
| | 70 | 50 | 30 | 10 | 70 | 50 | 30 | 10 | 50 | 30 | 10 | 10 |
| RCR | | | | | | | | | | | | |
| 0 | 119 | 119 | 119 | 119 | 116 | 116 | 116 | 116 | 111 | 111 | 111 | 111 |
| 1 | 109 | 104 | 100 | 96 | 106 | 102 | 98 | 95 | 98 | 95 | 92 | |
| 2 | 99 | 91 | 84 | 78 | 96 | 89 | 83 | 77 | 85 | 80 | 76 | |
| 3 | 90 | 80 | 72 | 65 | 88 | 78 | 71 | 65 | 75 | 69 | 63 | |
| 4 | 83 | 71 | 62 | 55 | 80 | 69 | 61 | 55 | 67 | 60 | 54 | |
| 5 | 76 | 63 | 54 | 48 | 74 | 62 | 54 | 47 | 60 | 52 | 47 | |
| 6 | 70 | 57 | 48 | 41 | 68 | 56 | 47 | 41 | 54 | 47 | 41 | |
| 7 | 65 | 52 | 43 | 37 | 63 | 51 | 42 | 36 | 49 | 42 | 36 | |
| 8 | 61 | 47 | 39 | 33 | 59 | 46 | 38 | 33 | 45 | 38 | 32 | |
| 9 | 57 | 43 | 35 | 29 | 55 | 43 | 35 | 29 | 41 | 34 | 29 | |
| 10 | 53 | 40 | 32 | 27 | 52 | 39 | 32 | 27 | 38 | 31 | 26 | |

PHOTOMETRIC CURVE



CANDELA DISTRIBUTION

| Vertical Angle | Horizontal Angle | | | | |
|----------------|------------------|------|------|------|------|
| | 0 | 22.5 | 45 | 67.5 | 90 |
| 0 | 1165 | 1165 | 1165 | 1165 | 1165 |
| 5 | 1161 | 1161 | 1161 | 1161 | 1161 |
| 10 | 1146 | 1146 | 1146 | 1146 | 1146 |
| 15 | 1120 | 1120 | 1120 | 1120 | 1120 |
| 20 | 1084 | 1084 | 1084 | 1084 | 1084 |
| 25 | 1036 | 1036 | 1036 | 1036 | 1036 |
| 30 | 977 | 977 | 977 | 977 | 977 |
| 35 | 910 | 910 | 910 | 910 | 910 |
| 40 | 838 | 838 | 838 | 838 | 838 |
| 45 | 761 | 761 | 761 | 761 | 761 |
| 50 | 679 | 679 | 679 | 679 | 679 |
| 55 | 590 | 590 | 590 | 590 | 590 |
| 60 | 499 | 499 | 499 | 499 | 499 |
| 65 | 401 | 401 | 401 | 401 | 401 |
| 70 | 302 | 302 | 302 | 302 | 302 |
| 75 | 205 | 205 | 205 | 205 | 205 |
| 80 | 114 | 114 | 114 | 114 | 114 |
| 85 | 39 | 39 | 39 | 39 | 39 |
| 90 | 0 | 0 | 0 | 0 | 0 |

ZONAL LUMEN SUMMARY

| Zone | Lumens | %Fixt |
|---------------|-------------|------------|
| 0-20 | 426 | 13.1 |
| 0-30 | 904 | 27.8 |
| 0-40 | 1473 | 45.3 |
| 0-60 | 2588 | 79.6 |
| 0-80 | 3202 | 98.5 |
| 0-90 | 3251 | 100 |
| 10-90 | 3141 | 96.6 |
| 20-40 | 1047 | 32.2 |
| 20-50 | 1634 | 50.3 |
| 40-70 | 1511 | 46.5 |
| 60-80 | 614 | 18.9 |
| 70-80 | 217 | 6.7 |
| 80-90 | 49 | 1.5 |
| 90-110 | 0 | 0 |
| 90-120 | 0 | 0 |
| 90-130 | 0 | 0 |
| 90-150 | 0 | 0 |
| 90-180 | 0 | 0 |
| 110-180 | 0 | 0 |
| 0-180 | 3251 | 100 |

LUMINANCE DATA (CD/M²)

| Vertical Angle | Horizontal Angle | | |
|----------------|------------------|------|------|
| | 0 | 45 | 90 |
| 45 | 3736 | 3736 | 3736 |
| 55 | 3571 | 3571 | 3571 |
| 65 | 3294 | 3294 | 3294 |
| 75 | 2750 | 2750 | 2750 |
| 85 | 1553 | 1553 | 1553 |



Circle in Circle

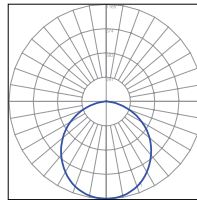
File Name: SCE-2L35K-22-CC-L6
 Luminaire Lumens: 3251
 Total Watts: 43
 Efficacy: 76 lm/W

COEFFICIENTS OF UTILIZATION

Zonal Cavity Method | Effective Floor Cavity Reflectance = .20

| RC RW | 80 | | | | 70 | | | | 50 | | | |
|----------|-----|-----|-----|-----|-----|-----|-----|-----|-----|-----|-----|-----|
| | 70 | 50 | 30 | 10 | 70 | 50 | 30 | 10 | 50 | 30 | 10 | 10 |
| RCR | | | | | | | | | | | | |
| 0 | 119 | 119 | 119 | 119 | 116 | 116 | 116 | 116 | 111 | 111 | 111 | 111 |
| 1 | 109 | 104 | 100 | 96 | 106 | 102 | 98 | 95 | 98 | 95 | 92 | |
| 2 | 99 | 91 | 84 | 78 | 96 | 89 | 83 | 77 | 85 | 80 | 76 | |
| 3 | 90 | 80 | 72 | 65 | 88 | 78 | 71 | 65 | 75 | 69 | 63 | |
| 4 | 83 | 71 | 62 | 55 | 80 | 69 | 61 | 55 | 67 | 60 | 54 | |
| 5 | 76 | 63 | 54 | 48 | 74 | 62 | 54 | 47 | 60 | 52 | 47 | |
| 6 | 70 | 57 | 48 | 41 | 68 | 56 | 47 | 41 | 54 | 47 | 41 | |
| 7 | 65 | 52 | 43 | 37 | 63 | 51 | 42 | 36 | 49 | 42 | 36 | |
| 8 | 61 | 47 | 39 | 33 | 59 | 46 | 38 | 33 | 45 | 38 | 32 | |
| 9 | 57 | 43 | 35 | 29 | 55 | 43 | 35 | 29 | 41 | 34 | 29 | |
| 10 | 53 | 40 | 32 | 27 | 52 | 39 | 32 | 27 | 38 | 31 | 26 | |

PHOTOMETRIC CURVE



CANDELA DISTRIBUTION

| Vertical Angle | Horizontal Angle | | | | |
|----------------|------------------|------|------|------|------|
| | 0 | 22.5 | 45 | 67.5 | 90 |
| 0 | 1165 | 1165 | 1165 | 1165 | 1165 |
| 5 | 1161 | 1161 | 1161 | 1161 | 1161 |
| 10 | 1146 | 1146 | 1146 | 1146 | 1146 |
| 15 | 1120 | 1120 | 1120 | 1120 | 1120 |
| 20 | 1084 | 1084 | 1084 | 1084 | 1084 |
| 25 | 1036 | 1036 | 1036 | 1036 | 1036 |
| 30 | 977 | 977 | 977 | 977 | 977 |
| 35 | 910 | 910 | 910 | 910 | 910 |
| 40 | 838 | 838 | 838 | 838 | 838 |
| 45 | 761 | 761 | 761 | 761 | 761 |
| 50 | 679 | 679 | 679 | 679 | 679 |
| 55 | 590 | 590 | 590 | 590 | 590 |
| 60 | 499 | 499 | 499 | 499 | 499 |
| 65 | 401 | 401 | 401 | 401 | 401 |
| 70 | 302 | 302 | 302 | 302 | 302 |
| 75 | 205 | 205 | 205 | 205 | 205 |
| 80 | 114 | 114 | 114 | 114 | 114 |
| 85 | 39 | 39 | 39 | 39 | 39 |
| 90 | 0 | 0 | 0 | 0 | 0 |

ZONAL LUMEN SUMMARY

| Zone | Lumens | %Fixt |
|---------------|-------------|------------|
| 0-20 | 426 | 13.1 |
| 0-30 | 904 | 27.8 |
| 0-40 | 1473 | 45.3 |
| 0-60 | 2588 | 79.6 |
| 0-80 | 3202 | 98.5 |
| 0-90 | 3251 | 100 |
| 10-90 | 3141 | 96.6 |
| 20-40 | 1047 | 32.2 |
| 20-50 | 1634 | 50.3 |
| 40-70 | 1511 | 46.5 |
| 60-80 | 614 | 18.9 |
| 70-80 | 217 | 6.7 |
| 80-90 | 49 | 1.5 |
| 90-110 | 0 | 0 |
| 90-120 | 0 | 0 |
| 90-130 | 0 | 0 |
| 90-150 | 0 | 0 |
| 90-180 | 0 | 0 |
| 110-180 | 0 | 0 |
| 0-180 | 3251 | 100 |

LUMINANCE DATA (CD/M²)

| Vertical Angle | Horizontal Angle | | |
|----------------|------------------|------|------|
| | 0 | 45 | 90 |
| 45 | 3736 | 3736 | 3736 |
| 55 | 3571 | 3571 | 3571 |
| 65 | 3294 | 3294 | 3294 |
| 75 | 2750 | 2750 | 2750 |
| 85 | 1553 | 1553 | 1553 |



Perforated Square

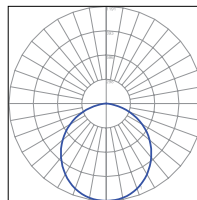
File Name: SCE-2L35K-22-PQ-L6
 Luminaire Lumens: 3316
 Total Watts: 43
 Efficacy: 77 lm/W

COEFFICIENTS OF UTILIZATION

Zonal Cavity Method | Effective Floor Cavity Reflectance = .20

| RC RW | 80 | | | | 70 | | | | 50 | | | |
|----------|-----|-----|-----|-----|-----|-----|-----|-----|-----|-----|-----|-----|
| | 70 | 50 | 30 | 10 | 70 | 50 | 30 | 10 | 50 | 30 | 10 | 10 |
| RCR | | | | | | | | | | | | |
| 0 | 119 | 119 | 119 | 119 | 116 | 116 | 116 | 116 | 111 | 111 | 111 | 111 |
| 1 | 109 | 104 | 100 | 96 | 106 | 102 | 98 | 95 | 98 | 95 | 92 | |
| 2 | 99 | 91 | 84 | 79 | 97 | 89 | 83 | 78 | 86 | 80 | 76 | |
| 3 | 90 | 80 | 72 | 65 | 88 | 78 | 71 | 65 | 75 | 69 | 64 | |
| 4 | 83 | 71 | 62 | 55 | 80 | 70 | 61 | 55 | 67 | 60 | 54 | |
| 5 | 76 | 63 | 54 | 48 | 74 | 62 | 54 | 47 | 60 | 53 | 47 | |
| 6 | 70 | 57 | 48 | 42 | 68 | 56 | 48 | 41 | 54 | 47 | 41 | |
| 7 | 65 | 52 | 43 | 37 | 63 | 51 | 43 | 37 | 49 | 42 | 36 | |
| 8 | 61 | 47 | 39 | 33 | 59 | 46 | 38 | 33 | 45 | 38 | 32 | |
| 9 | 57 | 43 | 35 | 29 | 55 | 43 | 35 | 29 | 42 | 34 | 29 | |
| 10 | 53 | 40 | 32 | 27 | 52 | 39 | 32 | 27 | 38 | 31 | 27 | |

PHOTOMETRIC CURVE



CANDELA DISTRIBUTION

| Vertical Angle | Horizontal Angle | | | | |
|----------------|------------------|------|------|------|------|
| | 0 | 22.5 | 45 | 67.5 | 90 |
| 0 | 1191 | 1191 | 1191 | 1191 | 1191 |
| 5 | 1186 | 1186 | 1186 | 1186 | 1186 |
| 10 | 1172 | 1172 | 1172 | 1172 | 1172 |
| 15 | 1146 | 1146 | 1146 | 1146 | 1146 |
| 20 | 1108 | 1108 | 1108 | 1108 | 1108 |
| 25 | 1060 | 1060 | 1060 | 1060 | 1060 |
| 30 | 1001 | 1001 | 1001 | 1001 | 1001 |
| 35 | 933 | 933 | 933 | 933 | 933 |
| 40 | 859 | 859 | 859 | 859 | 859 |
| 45 | 781 | 781 | 781 | 781 | 781 |
| 50 | 697 | 697 | 697 | 697 | 697 |
| 55 | 607 | 607 | 607 | 607 | 607 |
| 60 | 512 | 512 | 512 | 512 | 512 |
| 65 | 411 | 411 | 411 | 411 | 411 |
| 70 | 307 | 307 | 307 | 307 | 307 |
| 75 | 204 | 204 | 204 | 204 | 204 |
| 80 | 106 | 106 | 106 | 106 | 106 |
| 85 | 30 | 30 | 30 | 30 | 30 |
| 90 | 0 | 0 | 0 | 0 | 0 |

ZONAL LUMEN SUMMARY

| Zone | Lumens | %Fixt |
|---------------|-------------|------------|
| 0-20 | 436 | 13.2 |
| 0-30 | 924 | 27.9 |
| 0-40 | 1508 | 45.5 |
| 0-60 | 2652 | 80 |
| 0-80 | 3274 | 98.7 |
| 0-90 | 3316 | 100 |
| 10-90 | 3203 | 96.6 |
| 20-40 | 1072 | 32.3 |
| 20-50 | 1674 | 50.5 |
| 40-70 | 1550 | 46.8 |
| 60-80 | 622 | 18.8 |
| 70-80 | 216 | 6.5 |
| 80-90 | 42 | 1.3 |
| 90-110 | 0 | 0 |
| 90-120 | 0 | 0 |
| 90-130 | 0 | 0 |
| 90-150 | 0 | 0 |
| 90-180 | 0 | 0 |
| 110-180 | 0 | 0 |
| 0-180 | 3316 | 100 |

LUMINANCE DATA (CD/M²)

| Vertical Angle | Horizontal Angle | | |
|----------------|------------------|------|------|
| | 0 | 45 | 90 |
| 45 | 3834 | 3834 | 3834 |
| 55 | 3674 | 3674 | 3674 |
| 65 | 3376 | 3376 | 3376 |

PHOTOMETRIC DATA - 3500K



Standard Diffuse

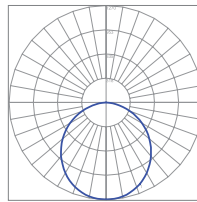
File Name: SCE-2L35K-22-SD-L6
Luminaire Lumens: 3581
Total Watts: 43
Efficacy: 83 lm/W

COEFFICIENTS OF UTILIZATION

Zonal Cavity Method | Effective Floor Cavity Reflectance = .20

| RC RW | 80 | | | | 70 | | | | 50 | | | |
|----------|-----|-----|-----|-----|-----|-----|-----|-----|-----|-----|-----|-----|
| | 70 | 50 | 30 | 10 | 70 | 50 | 30 | 10 | 50 | 30 | 10 | 0 |
| RCR | | | | | | | | | | | | |
| 0 | 119 | 119 | 119 | 119 | 116 | 116 | 116 | 116 | 111 | 111 | 111 | 111 |
| 1 | 109 | 104 | 100 | 96 | 106 | 102 | 98 | 94 | 97 | 94 | 91 | 87 |
| 2 | 99 | 91 | 84 | 78 | 96 | 89 | 82 | 77 | 85 | 80 | 75 | 70 |
| 3 | 90 | 80 | 71 | 65 | 88 | 78 | 70 | 64 | 75 | 68 | 63 | 58 |
| 4 | 82 | 70 | 62 | 55 | 80 | 69 | 61 | 54 | 67 | 59 | 54 | 49 |
| 5 | 76 | 63 | 54 | 47 | 74 | 62 | 53 | 47 | 60 | 52 | 46 | 41 |
| 6 | 70 | 57 | 48 | 41 | 68 | 56 | 47 | 41 | 54 | 46 | 41 | 36 |
| 7 | 65 | 51 | 43 | 36 | 63 | 51 | 42 | 36 | 49 | 41 | 36 | 31 |
| 8 | 60 | 47 | 38 | 32 | 59 | 46 | 38 | 32 | 45 | 37 | 32 | 27 |
| 9 | 56 | 43 | 35 | 29 | 55 | 42 | 34 | 29 | 41 | 34 | 29 | 24 |
| 10 | 53 | 40 | 32 | 26 | 52 | 39 | 32 | 26 | 38 | 31 | 26 | 21 |

PHOTOMETRIC CURVE



LUMINANCE DATA (CD/M²)

| Vertical Angle | Horizontal Angle | | |
|----------------|------------------|------|------|
| | 0 | 45 | 90 |
| 45 | 4039 | 4053 | 4068 |
| 55 | 3872 | 3890 | 3908 |
| 65 | 3590 | 3606 | 3639 |
| 75 | 3050 | 3090 | 3117 |
| 85 | 1969 | 1969 | 2009 |

CANDELA DISTRIBUTION

| Vertical Angle | Horizontal Angle | | | | |
|----------------|------------------|------|------|------|------|
| | 0 | 22.5 | 45 | 67.5 | 90 |
| 0 | 1270 | 1270 | 1270 | 1270 | 1270 |
| 5 | 1265 | 1264 | 1264 | 1265 | 1264 |
| 10 | 1250 | 1250 | 1249 | 1250 | 1250 |
| 15 | 1221 | 1221 | 1221 | 1222 | 1222 |
| 20 | 1180 | 1180 | 1181 | 1182 | 1182 |
| 25 | 1128 | 1128 | 1130 | 1131 | 1131 |
| 30 | 1066 | 1066 | 1068 | 1070 | 1070 |
| 35 | 994 | 993 | 996 | 999 | 999 |
| 40 | 916 | 917 | 919 | 922 | 922 |
| 45 | 832 | 832 | 835 | 838 | 838 |
| 50 | 742 | 743 | 746 | 748 | 749 |
| 55 | 647 | 647 | 650 | 652 | 653 |
| 60 | 547 | 547 | 550 | 552 | 553 |
| 65 | 442 | 442 | 444 | 448 | 448 |
| 70 | 336 | 335 | 337 | 341 | 341 |
| 75 | 230 | 230 | 233 | 235 | 235 |
| 80 | 133 | 132 | 134 | 137 | 136 |
| 85 | 50 | 49 | 50 | 51 | 51 |
| 90 | 0 | 0 | 0 | 0 | 0 |

ZONAL LUMEN SUMMARY

| Zone | Lumens | %Fixt |
|---------------|-------------|------------|
| 0-20 | 465 | 13 |
| 0-30 | 985 | 27.5 |
| 0-40 | 1609 | 44.9 |
| 0-60 | 2833 | 79.1 |
| 0-80 | 3520 | 98.3 |
| 0-90 | 3581 | 100 |
| 10-90 | 3460 | 96.6 |
| 20-40 | 1144 | 31.9 |
| 20-50 | 1788 | 49.9 |
| 40-70 | 1664 | 46.5 |
| 60-80 | 686 | 19.2 |
| 70-80 | 247 | 6.9 |
| 80-90 | 61 | 1.7 |
| 90-110 | 0 | 0 |
| 90-120 | 0 | 0 |
| 90-130 | 0 | 0 |
| 90-150 | 0 | 0 |
| 90-180 | 0 | 0 |
| 110-180 | 0 | 0 |
| 0-180 | 3581 | 100 |



Perforated Strip

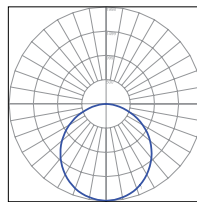
File Name: SCE-2L35K-14-PS-L5
Luminaire Lumens: 5668
Total Watts: 74
Efficacy: 77 lm/W

COEFFICIENTS OF UTILIZATION

Zonal Cavity Method | Effective Floor Cavity Reflectance = .20

| RC RW | 80 | | | | 70 | | | | 50 | | | |
|----------|-----|-----|-----|-----|-----|-----|-----|-----|-----|-----|-----|-----|
| | 70 | 50 | 30 | 10 | 70 | 50 | 30 | 10 | 50 | 30 | 10 | 0 |
| RCR | | | | | | | | | | | | |
| 0 | 119 | 119 | 119 | 119 | 116 | 116 | 116 | 116 | 111 | 111 | 111 | 111 |
| 1 | 109 | 104 | 100 | 96 | 106 | 102 | 98 | 94 | 97 | 94 | 91 | 87 |
| 2 | 99 | 91 | 84 | 78 | 96 | 89 | 82 | 77 | 85 | 80 | 75 | 70 |
| 3 | 90 | 79 | 71 | 65 | 88 | 78 | 70 | 64 | 75 | 68 | 63 | 58 |
| 4 | 82 | 70 | 62 | 55 | 80 | 69 | 61 | 54 | 67 | 59 | 54 | 49 |
| 5 | 76 | 63 | 54 | 47 | 74 | 62 | 53 | 47 | 60 | 52 | 46 | 41 |
| 6 | 70 | 57 | 48 | 41 | 68 | 56 | 47 | 41 | 54 | 46 | 41 | 36 |
| 7 | 65 | 51 | 42 | 36 | 63 | 50 | 42 | 36 | 49 | 41 | 36 | 31 |
| 8 | 60 | 47 | 38 | 32 | 59 | 46 | 38 | 32 | 45 | 37 | 32 | 27 |
| 9 | 56 | 43 | 35 | 29 | 55 | 42 | 34 | 29 | 41 | 34 | 29 | 24 |
| 10 | 53 | 40 | 32 | 26 | 52 | 39 | 31 | 26 | 38 | 31 | 26 | 21 |

PHOTOMETRIC CURVE



LUMINANCE DATA (CD/M²)

| Vertical Angle | Horizontal Angle | | |
|----------------|------------------|------|------|
| | 0 | 45 | 90 |
| 45 | 6999 | 6999 | 6999 |
| 55 | 6743 | 6743 | 6743 |
| 65 | 6274 | 6274 | 6274 |
| 75 | 5303 | 5303 | 5303 |
| 85 | 3209 | 3209 | 3209 |

CANDELA DISTRIBUTION

| Vertical Angle | Horizontal Angle | | | | |
|----------------|------------------|------|------|------|------|
| | 0 | 22.5 | 45 | 67.5 | 90 |
| 0 | 1998 | 1998 | 1998 | 1998 | 1998 |
| 5 | 1985 | 1985 | 1985 | 1985 | 1985 |
| 10 | 1957 | 1957 | 1957 | 1957 | 1957 |
| 15 | 1915 | 1915 | 1915 | 1915 | 1915 |
| 20 | 1856 | 1856 | 1856 | 1856 | 1856 |
| 25 | 1776 | 1776 | 1776 | 1776 | 1776 |
| 30 | 1684 | 1684 | 1684 | 1684 | 1684 |
| 35 | 1575 | 1575 | 1575 | 1575 | 1575 |
| 40 | 1456 | 1456 | 1456 | 1456 | 1456 |
| 45 | 1327 | 1327 | 1327 | 1327 | 1327 |
| 50 | 1187 | 1187 | 1187 | 1187 | 1187 |
| 55 | 1037 | 1037 | 1037 | 1037 | 1037 |
| 60 | 877 | 877 | 877 | 877 | 877 |
| 65 | 711 | 711 | 711 | 711 | 711 |
| 70 | 538 | 538 | 538 | 538 | 538 |
| 75 | 368 | 368 | 368 | 368 | 368 |
| 80 | 210 | 210 | 210 | 210 | 210 |
| 85 | 75 | 75 | 75 | 75 | 75 |
| 90 | 0 | 0 | 0 | 0 | 0 |

ZONAL LUMEN SUMMARY

| Zone | Lumens | %Fixt |
|---------------|-------------|------------|
| 0-20 | 729 | 12.9 |
| 0-30 | 1548 | 27.3 |
| 0-40 | 2533 | 44.7 |
| 0-60 | 4482 | 79.1 |
| 0-80 | 5575 | 98.4 |
| 0-90 | 5668 | 100 |
| 10-90 | 5479 | 96.7 |
| 20-40 | 1804 | 31.8 |
| 20-50 | 2827 | 49.9 |
| 40-70 | 2651 | 46.8 |
| 60-80 | 1093 | 19.3 |
| 70-80 | 390 | 6.9 |
| 80-90 | 93 | 1.6 |
| 90-110 | 0 | 0 |
| 90-120 | 0 | 0 |
| 90-130 | 0 | 0 |
| 90-150 | 0 | 0 |
| 90-180 | 0 | 0 |
| 110-180 | 0 | 0 |
| 0-180 | 5668 | 100 |



Standard Diffuse

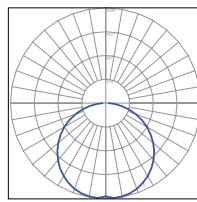
File Name: SCE-2L35K-14-SD-L5
Luminaire Lumens: 5814
Total Watts: 74
Efficacy: 79 lm/W

COEFFICIENTS OF UTILIZATION

Zonal Cavity Method | Effective Floor Cavity Reflectance = .20

| RC RW | 80 | | | | 70 | | | | 50 | | | |
|----------|-----|-----|-----|-----|-----|-----|-----|-----|-----|-----|-----|-----|
| | 70 | 50 | 30 | 10 | 70 | 50 | 30 | 10 | 50 | 30 | 10 | 0 |
| RCR | | | | | | | | | | | | |
| 0 | 119 | 119 | 119 | 119 | 116 | 116 | 116 | 116 | 111 | 111 | 111 | 111 |
| 1 | 108 | 103 | 99 | 94 | 105 | 101 | 97 | 93 | 96 | 93 | 90 | 86 |
| 2 | 98 | 89 | 82 | 76 | 95 | 87 | 81 | 75 | 84 | 78 | 74 | 69 |
| 3 | 89 | 78 | 70 | 63 | 87 | 77 | 69 | 62 | 73 | 67 | 61 | 56 |
| 4 | 81 | 69 | 60 | 53 | 79 | 68 | 59 | 53 | 65 | 58 | 52 | 47 |
| 5 | 75 | 61 | 52 | 45 | 73 | 60 | 52 | 45 | 58 | 50 | 45 | 40 |
| 6 | 69 | 55 | 46 | 39 | 67 | 54 | 46 | 39 | 52 | 45 | 39 | 34 |
| 7 | 64 | 50 | 41 | 35 | 62 | 49 | 41 | 35 | 48 | 40 | 34 | 29 |
| 8 | 59 | 46 | 37 | 31 | 58 | 45 | 37 | 31 | 43 | 36 | 31 | 26 |
| 9 | 55 | 42 | 33 | 28 | 54 | 41 | 33 | 28 | 40 | 33 | 27 | 22 |
| 10 | 52 | 38 | 30 | 25 | 51 | 38 | 30 | 25 | 37 | 30 | 25 | 20 |

PHOTOMETRIC CURVE



LUMINANCE DATA (CD/M²)

| Vertical Angle | Horizontal Angle | | |
|----------------|------------------|------|------|
| | 0 | 45 | 90 |
| 45 | 5180 | 5121 | 4912 |
| 55 | 5142 | 5039 | 4731 |
| 65 | 5084 | 4880 | 4392 |
| 75 | 5005 | 4562 | 3705 |
| 85 | 5614 | 4289 | 2132 |

CANDELA DISTRIBUTION

| Vertical Angle | Horizontal Angle | | | |
|----------------|------------------|------|------|------|
| | 0 | 30 | 60 | 90 |
| 0 | 1852 | 1852 | 1852 | 1852 |
| 5 | 1894 | 1832 | 1836 | 1886 |
| 10 | 1884 | 1826 | 1826 | 1865 |
| 15 | 1856 | 1806 | 1803 | 1829 |
| 20 | 1812 | 1771 | 1766 | 1776 |
| 25 | 1751 | 1721 | 1715 | 1708 |
| 30 | 1674 | 1655 | 1647 | 1624 |
| 35 | 1583 | 1573 | 1562 | 1527 |
| 40 | 1479 | 1473 | 1458 | 1416 |
| 45 | 1362 | 1355 | 1339 | 1292 |
| 50 | 1235 | 1226 | 1207 | 1156 |
| 55 | 1097 | 1085 | 1065 | 1009 |
| 60 | 953 | 936 | 915 | 853 |
| 65 | 799 | 780 | 754 | 690 |
| 70 | 641 | 619 | 588 | 522 |
| 75 | 482 | 456 | 422 | 357 |
| 80 | 326 | 301 | 262 | 201 |
| 85 | 182 | 158 | 121 | 69 |
| 90 | 61 | 43 | 14 | 1 |

ZONAL LUMEN SUMMARY

| Zone | Lumens | %Fixt |
|-------------|-------------|------------|
| 0-20 | 690 | 11.9 |
| 0-30 | 1483 | 25.5 |
| 0-40 | 2461 | 42.3 |
| 0-60 | 4449 | 76.5 |
| 0-80 | 5658 | 97.3 |
| 0-90 | 5814 | 100 |
| 10-90 | 5638 | 97 |
| 20-40 | 1771 | 30.5 |
| 20-50 | 2805 | 48.2 |
| 40-70 | 2739 | 47.1 |
| 60-80 | 1209 | 20.8 |
| 70-80 | 458 | 7.9 |
| 80-90 | 156 | 2. |