

NOTE: The following instructions provide general guidelines for product installation. For additional information consult the applicable electrical codes or contact factory directly for support before attempting anything with uncertainty.

CAUTION: Do not assemble luminaire runs on floor.

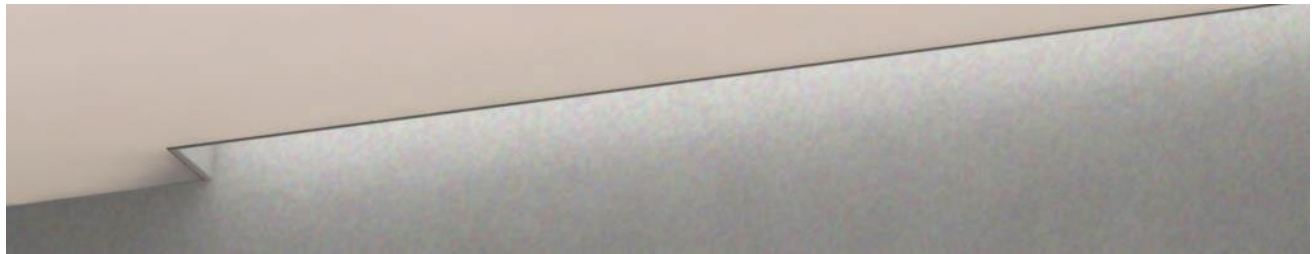
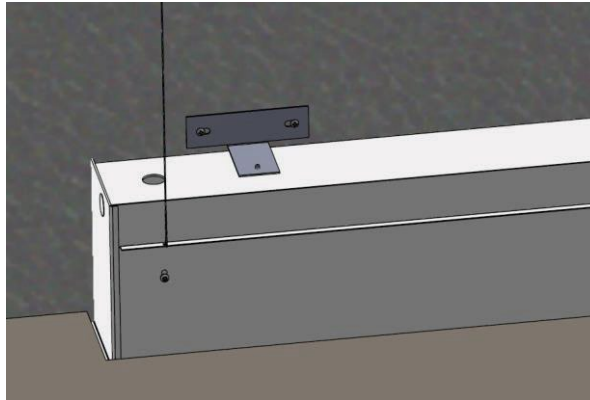
WARNING: Risk of fire and electrical shock. **DISCONNECT POWER AT ELECTRICAL PANEL** before installing or servicing this product.

GENERAL SAFETY INSTRUCTIONS:

1. Read all instructions prior to installing this fixture.
2. This product must be installed in accordance with the applicable installation code by a person familiar with the construction and operation of the product and the hazards involved.
3. All wiring must be performed by a qualified electrician in accordance with national and local building and electrical codes.
4. This fixture must be suitably grounded for your protection against shock hazards and to assure proper operation.
5. Make sure that the power source conforms to the requirements of this fixture.
6. This product has accessible output terminals. Based on Canadian Electrical Code for class 2 circuits, this product requires installation in Restricted Access Area, so that no live parts are accessible to unauthorized persons.

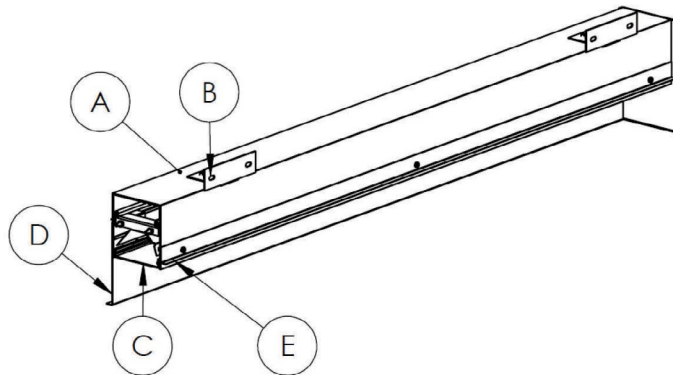
Specifications and design subject to change without notice.

IMAGES OF INSTALLED FIXTURE



PARTS LIST

- A. Luminaire Body
- B. Wall Mounting Bracket
- C. Lens
- D. Fascia
- E. Wall Side Bracket



Specifications and design subject to change without notice.

REQUIRED TOOLS

DRILL	#8 PHILLIPS BIT	#8 PHILLIPS SCREWDRIVER	WRENCH
			

Important: Use clean gloves to avoid adding oil/dirt to optics surface. Avoid scratching optics by using installation tools with soft plastic rounded edges.

WIRING DIAGRAM

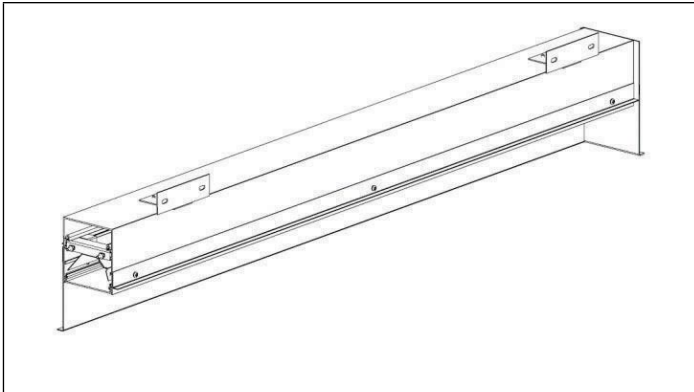
INTEGRAL DRIVER TO LINE VOLTAGE

WIRE ENTRY 5 LEADS

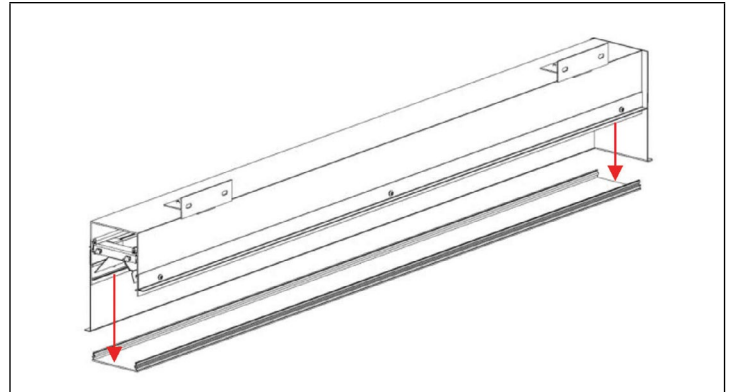


Specifications and design subject to change without notice.

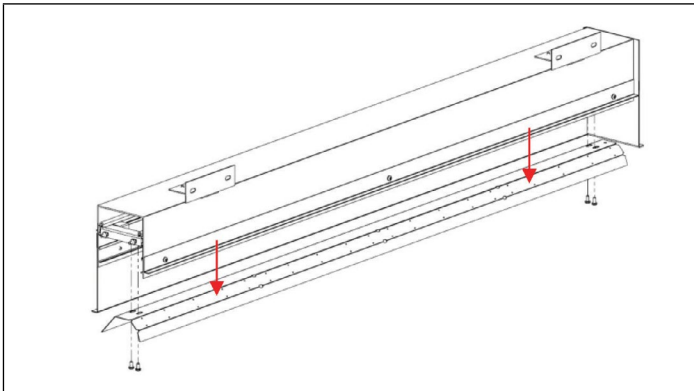
STEP-BY-STEP INSTRUCTIONS



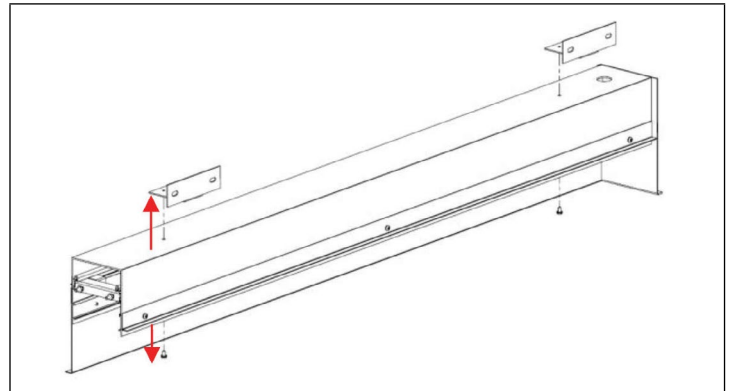
STEP 1. Remove luminaire from packaging.



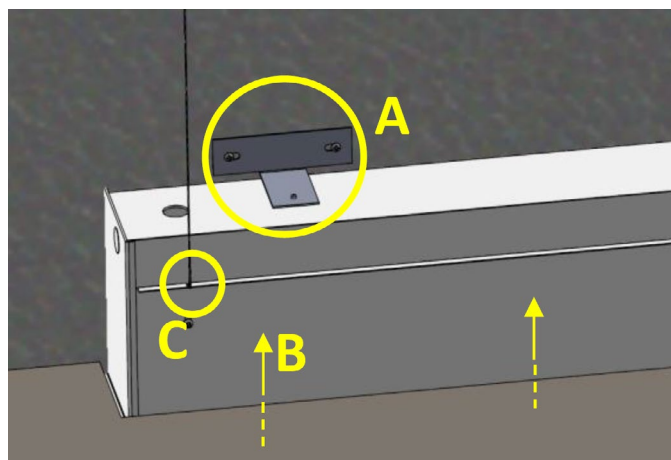
STEP 2. Remove the lens by gently pressing into the middle of the lens near the endcap and prying up the exposed edge.



STEP 3. Unscrew fasteners to remove reflector assembly



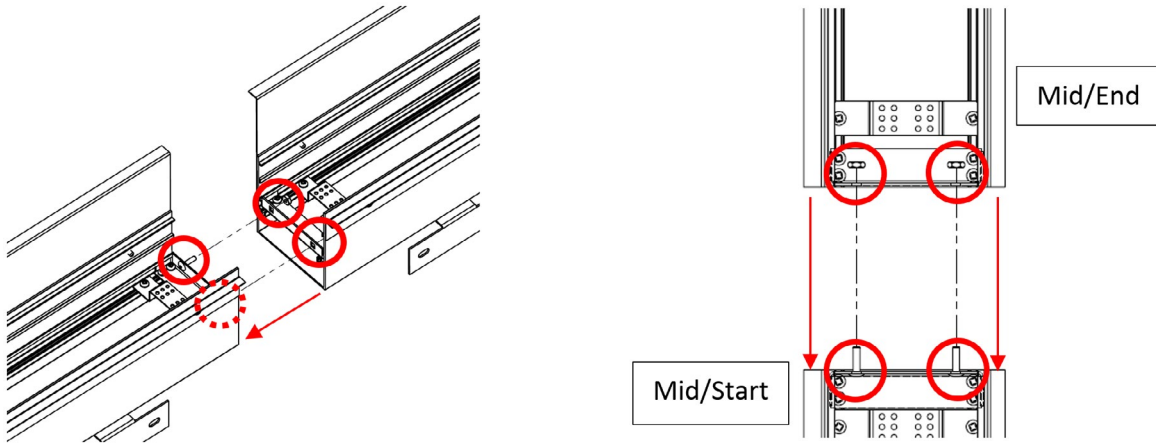
STEP 4. Unscrew fasteners from inside of luminaire body to free wall mounting brackets.



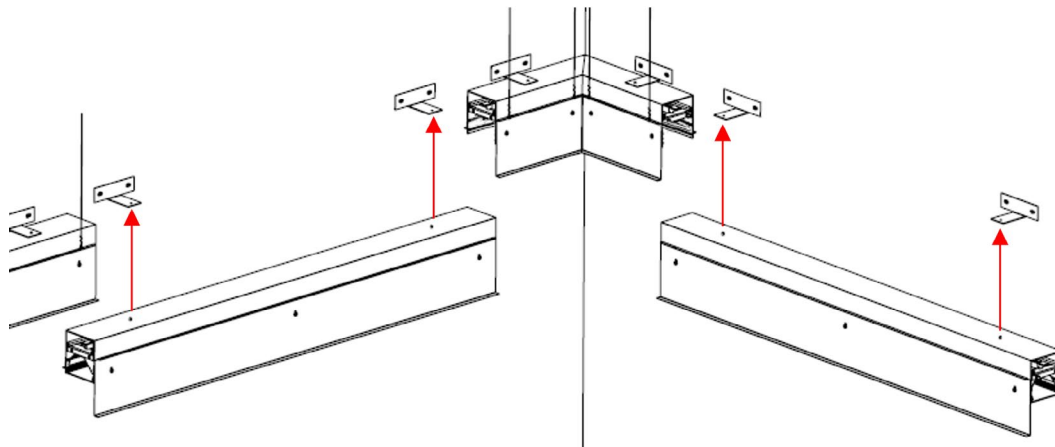
STEP 5. Install Wall Mounting Brackets above ceiling (A). Lift luminaire up into ceiling and reattach to Wall Mounting Bracket (B) by fastening them from the inside of the luminaire body. Secure suspension cables to holes on Fascia (C).

Specifications and design subject to change without notice.

STEP-BY-STEP INSTRUCTIONS



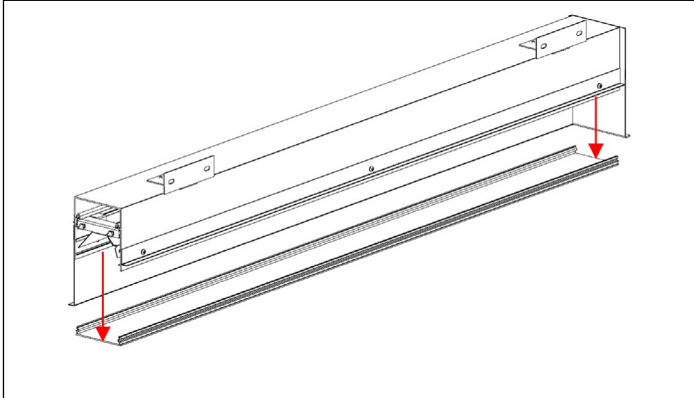
STEP 6. For continuous runs, with the reflector and lens removed, attach the joiner brackets of adjacent luminaires using the two screws circled. Connect wires between luminaires as per the wiring diagram.



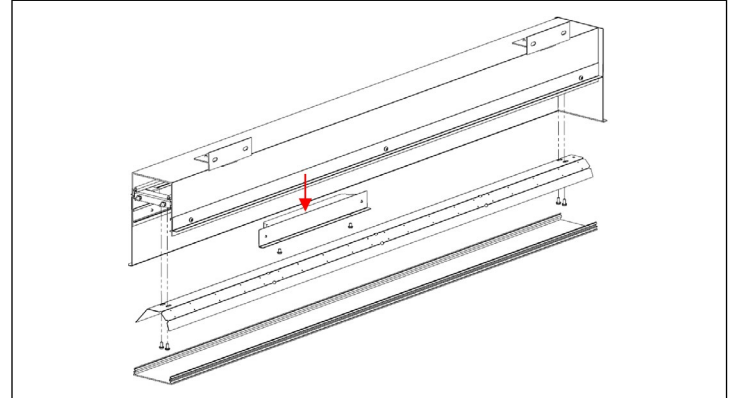
STEP 7. If using corners, remove lens, reflectors and wall brackets, then install them into ceiling as per step 5. It is recommended to install corners before adjacent luminaires. Join corner units with adjacent luminaire as per step 6. Reinstall lens and reflectors.

Specifications and design subject to change without notice.

MAINTENANCE



For LED board maintenance, remove the lens by gently pressing into the middle of the lens near the endcap and prying up the exposed edge.



For driver maintenance, continue by removing the reflector assembly. Remove driver mounting plate assembly, and service driver as required.