

NOTE: The following instructions provide general guidelines for product installation. For additional information consult the applicable electrical codes or contact factory directly for support before attempting anything with uncertainty.

CAUTION: Do not assemble luminaire runs on floor.

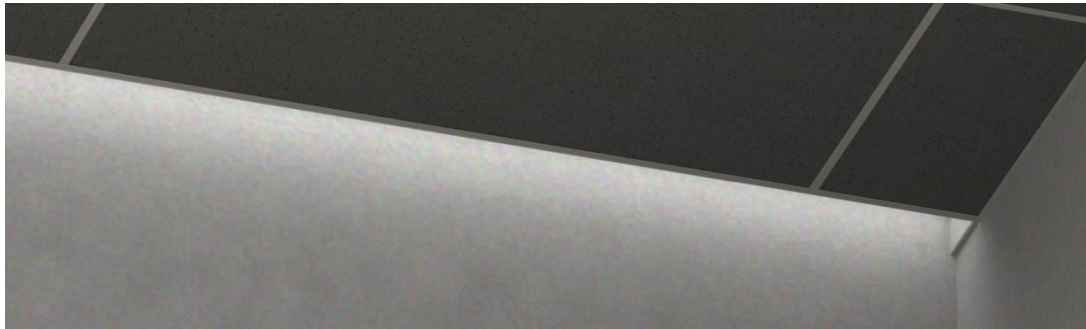
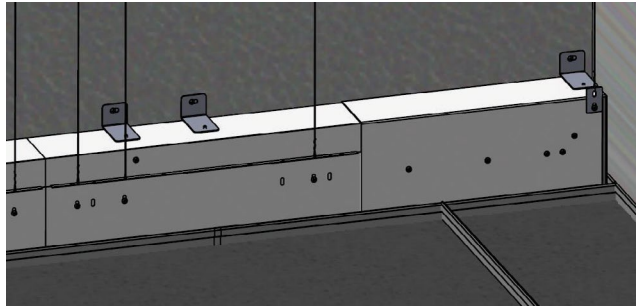
WARNING: Risk of fire and electrical shock. **DISCONNECT POWER AT ELECTRICAL PANEL** before installing or servicing this product.

GENERAL SAFETY INSTRUCTIONS:

1. Read all instructions prior to installing this luminaire.
2. This product must be installed in accordance with the applicable installation code by a person familiar with the construction and operation of the product and the hazards involved.
3. All wiring must be performed by a qualified electrician in accordance with national and local building and electrical codes.
4. This luminaire must be suitably grounded for your protection against shock hazards and to assure proper operation.
5. Make sure that the power source conforms to the requirements of this luminaire.
6. This product has accessible output terminals. Based on Canadian Electrical Code for class 2 circuits, this product requires installation in Restricted Access Area, so that no live parts are accessible to unauthorized persons.

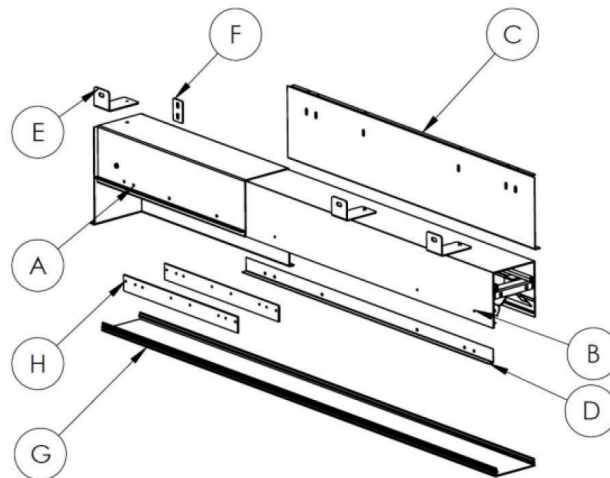
Specifications and design subject to change without notice.

IMAGES OF INSTALLED FIXTURE









PARTS LIST

- A. Luminaire (Telescopic) Enclosure
- B. Luminaire (Fixed) Enclosure
- C. Fascia
- D. Wall Spacer
- E. Wall Mounting Bracket
- F. Telescopic Suspension Hanger
- G. Lens
- H. Spacer Plate



Specifications and design subject to change without notice.

Required Tools

| DRILL | #8 PHILLIPS BIT | #8 PHILLIPS SCREWDRIVER | WRENCH | MITER SAW (ALUMINUM BLADE) | MEASURING TAPE |
|--|---|---|---|---|---|
|  |  |  |  |  |  |

Important: Use clean gloves to avoid adding oil/dirt to optics surface. Avoid scratching optics by using installation tools with soft plastic rounded edges.

WIRING DIAGRAM

INTEGRAL DRIVER TO LINE VOLTAGE

WIRE ENTRY 5 LEADS

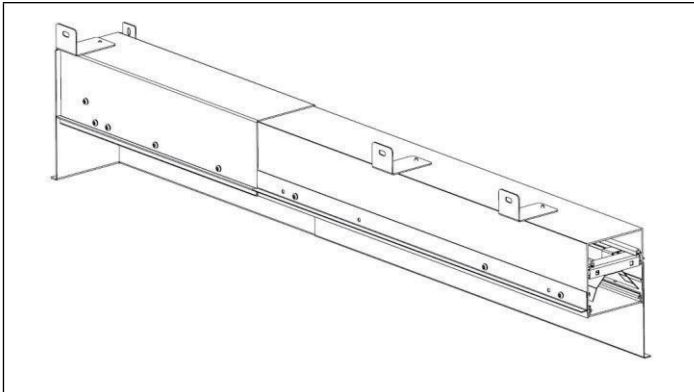


T-BAR CENTERS SPACING

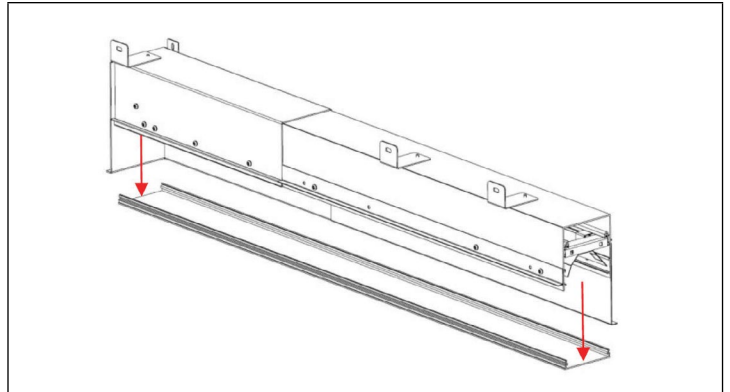
| FIXTURE | T-BAR LENGTH | T-BAR WIDTH |
|--|--------------|-----------------|
| Telescopic | Variable | 101.6 mm (4.0") |
| FIXTURE FITS STANDARD T-BAR (9/16" & 15/16") | | |

Specifications and design subject to change without notice.

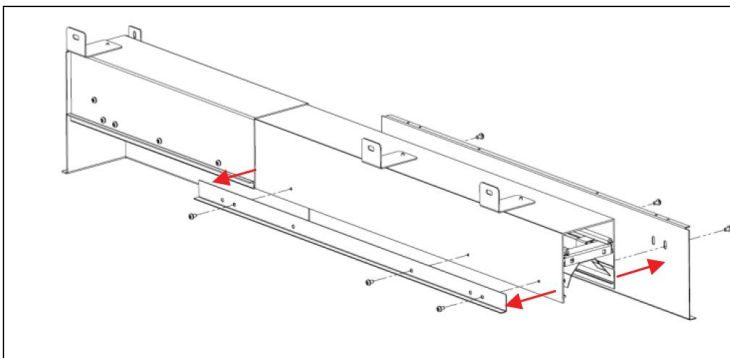
STEP-BY-STEP INSTRUCTIONS



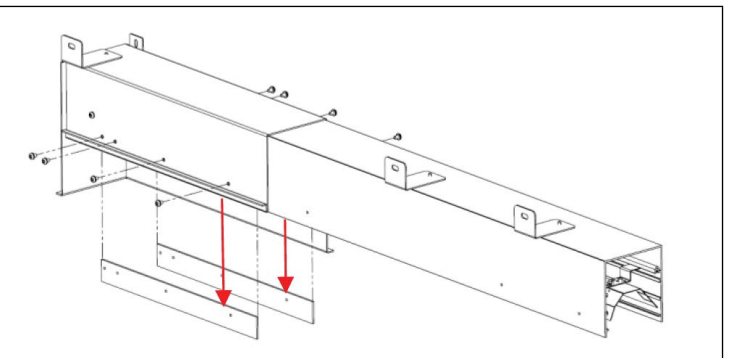
STEP 1. Remove pre-assembled luminaire from packaging.



STEP 2. Remove the lens by gently pressing into the middle of the lens near the endcap and prying up the exposed edge.



STEP 3. Unscrew fasteners to remove Fascia, Wall Spacer, and Spacer Plates.

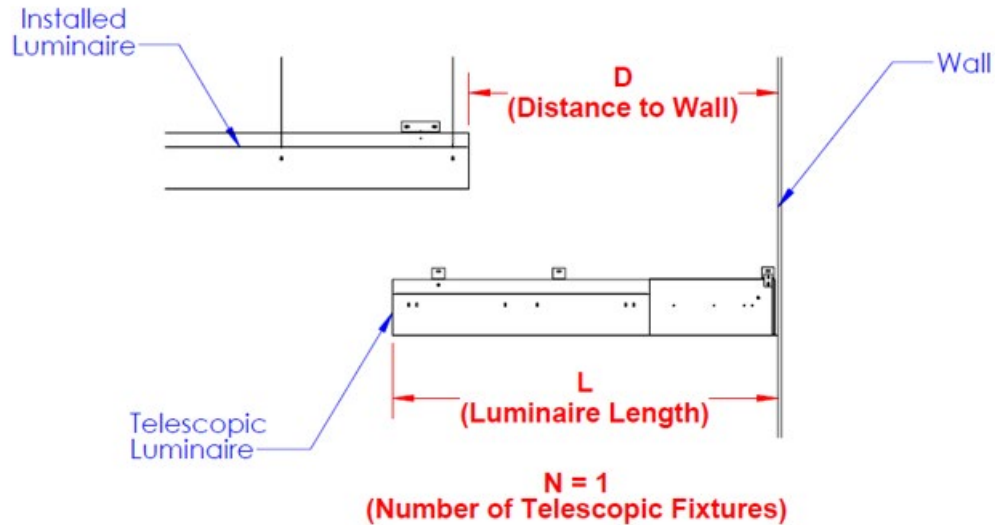


STEP 4. Unscrew fasteners and remove reflector assembly.

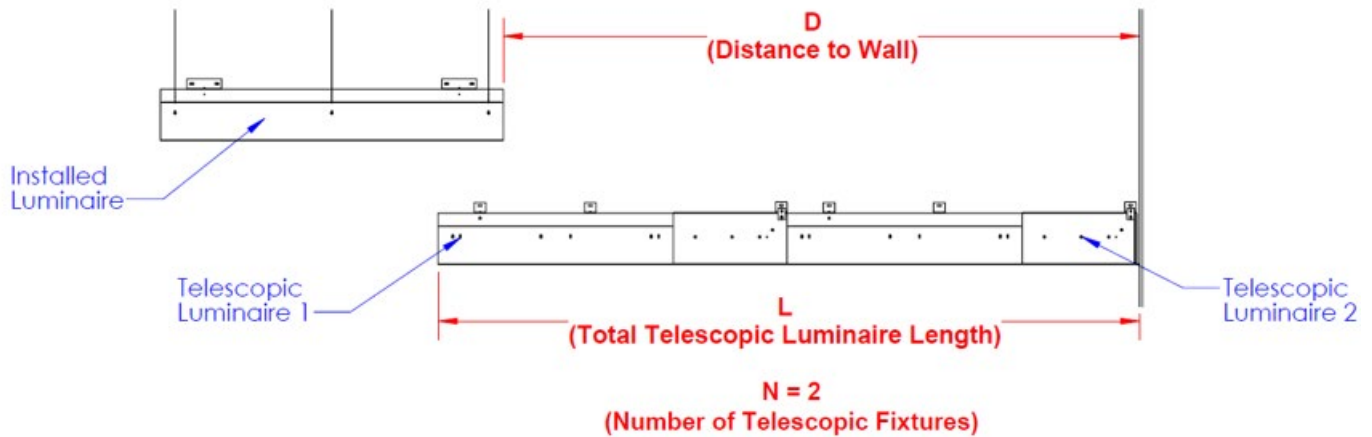
Specifications and design subject to change without notice.

STEP-BY-STEP INSTRUCTIONS

SINGLE TELESCOPIC (N=1)



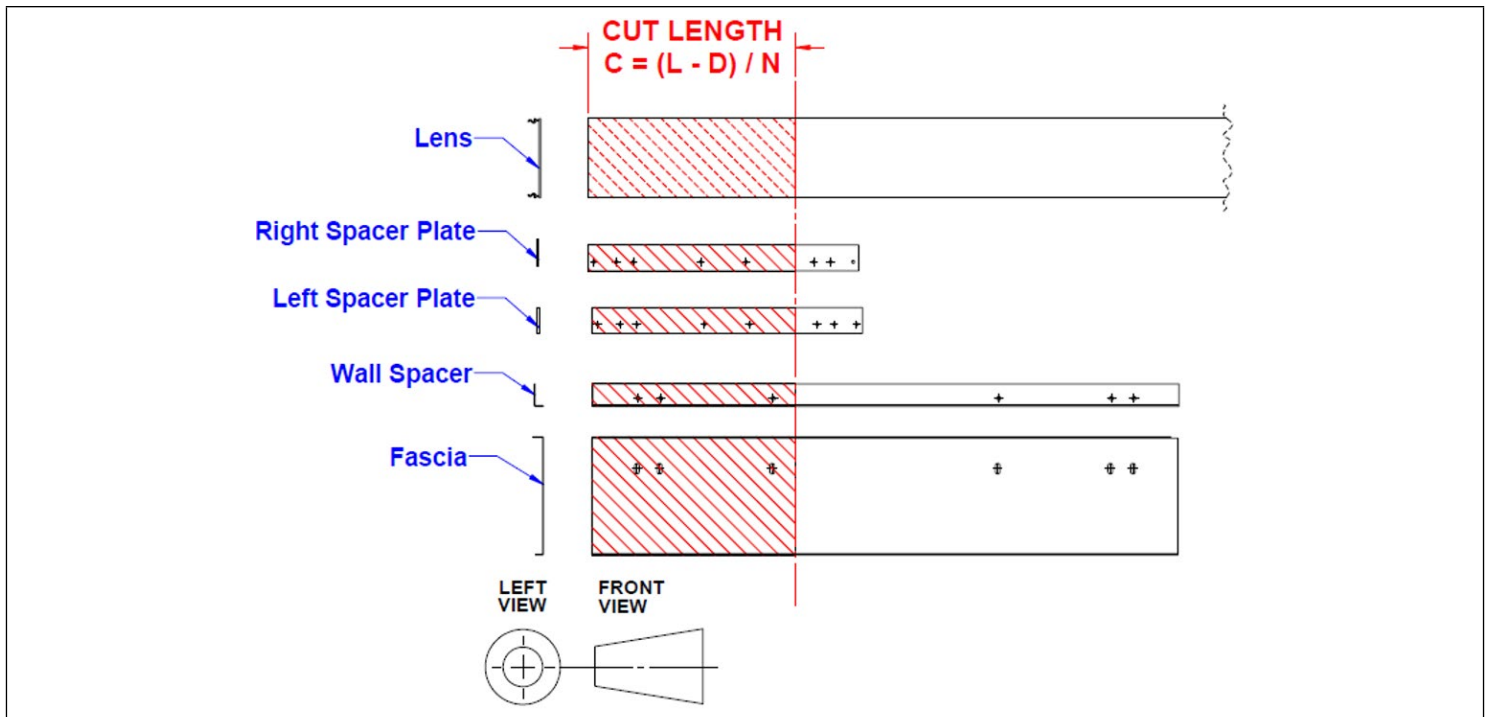
DUAL TELESCOPIC (N=2)



STEP 5. Measure the Telescopic Luminaire Length, including the length of any flanges if applicable (L). Then measure the distance from the Installed Luminaire to the Wall or next fixture (D). For arrangements requiring a single telescopic luminaire, N=1. For arrangements requiring dual telescopic luminaires, N=2.

Specifications and design subject to change without notice.

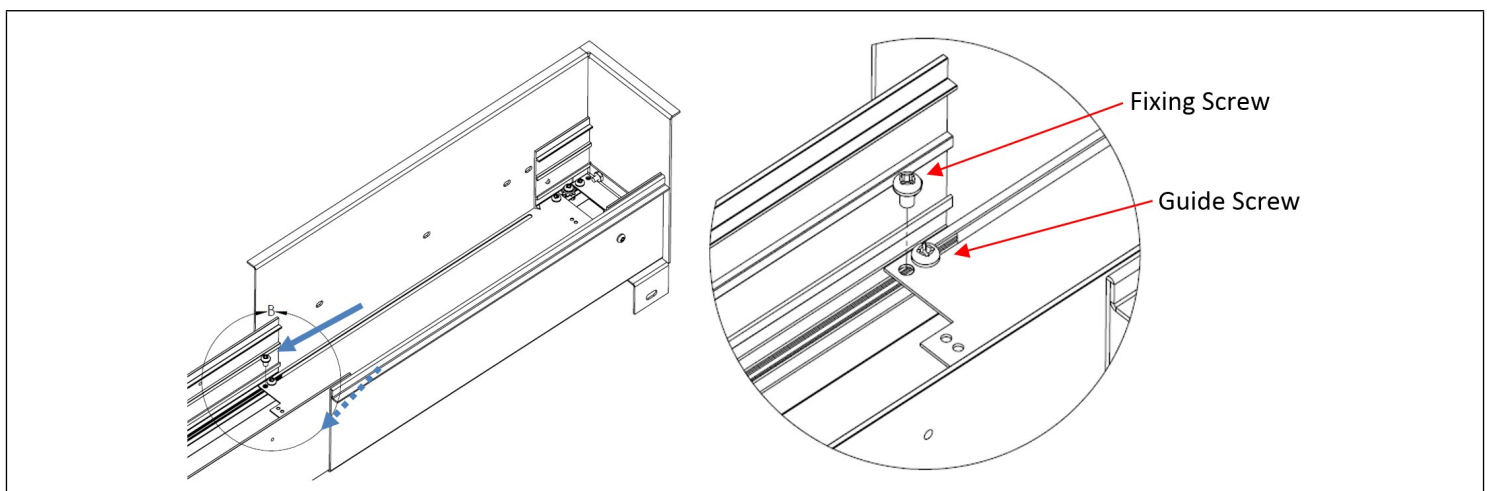
STEP-BY-STEP INSTRUCTIONS



STEP 6. Cut pieces to cut lengths $C = (L - D) / N$.

Example: if a single ($N=1$) fully extended telescopic luminaire was 1218.6mm (L) and the distance from an installed luminaire to the wall was 1000mm (D), then the cut length would be $(1218.6 - 1000) / 1 = 218.6$ mm (C).

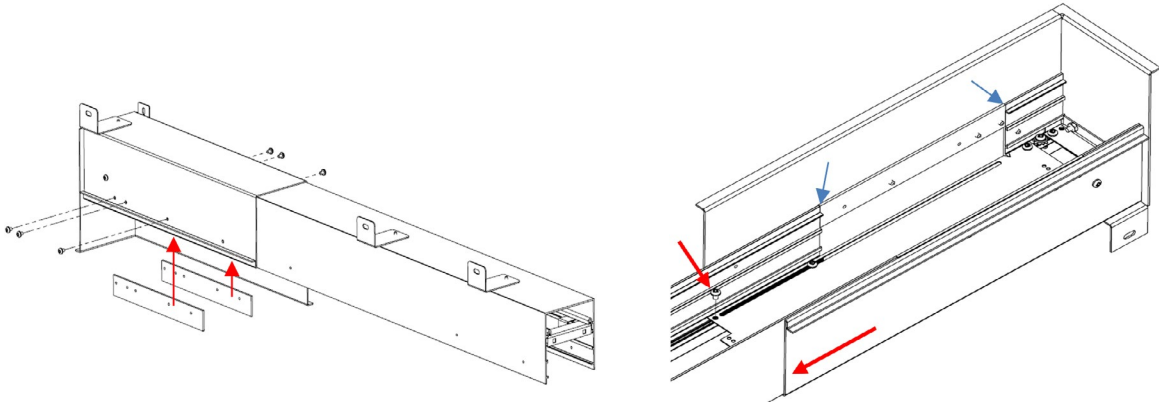
NOTE: Ensure correct orientation of Fascia and Wall Spacer before cutting. Refer to Front and Left views.



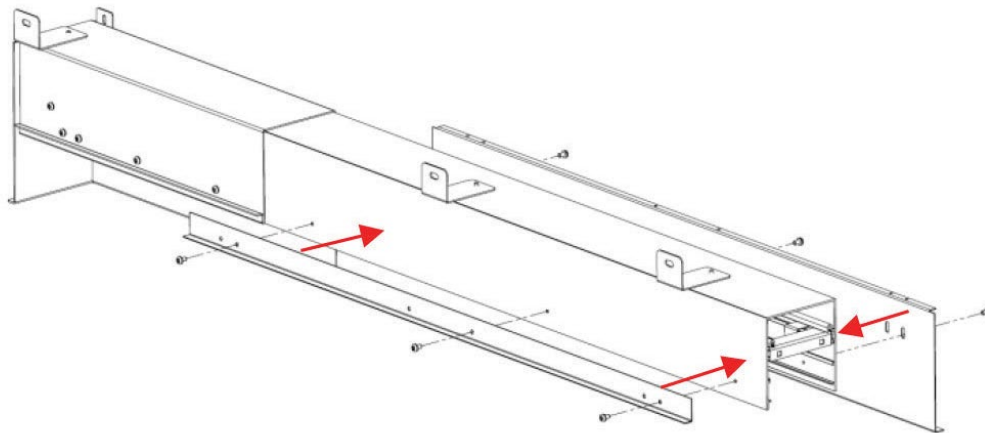
STEP 7. Remove indicated Fixing Screws on both sides of luminaire body. Ensure the Guide Screws are loose, but do not remove them.

Specifications and design subject to change without notice.

STEP-BY-STEP INSTRUCTIONS



STEP 8. Install newly-cut Spacer Plates. Slide the telescopic portion over the body until gap between Spacer Plates and body is closed. Reinsert and tighten the Fixing Screws. Tighten Guide Screws.
 Note: Keeping the body and telescopic portion aligned while sliding will allow for smooth adjustment.

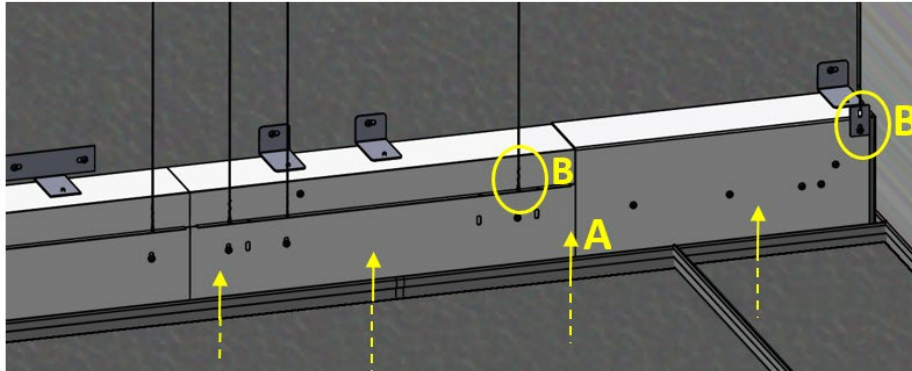


STEP 9. Reinstall Fascia and Wall Spacer.

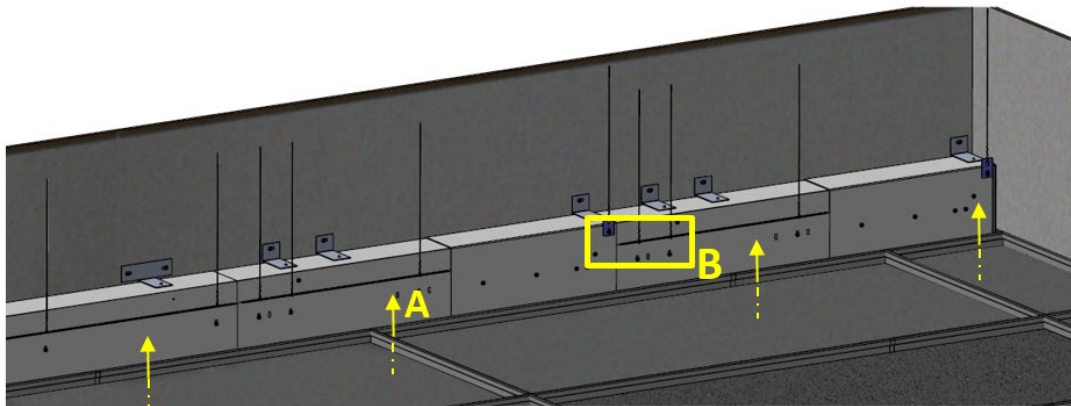
Specifications and design subject to change without notice.

STEP-BY-STEP INSTRUCTIONS

Fixed Length to Single Telescopic Run



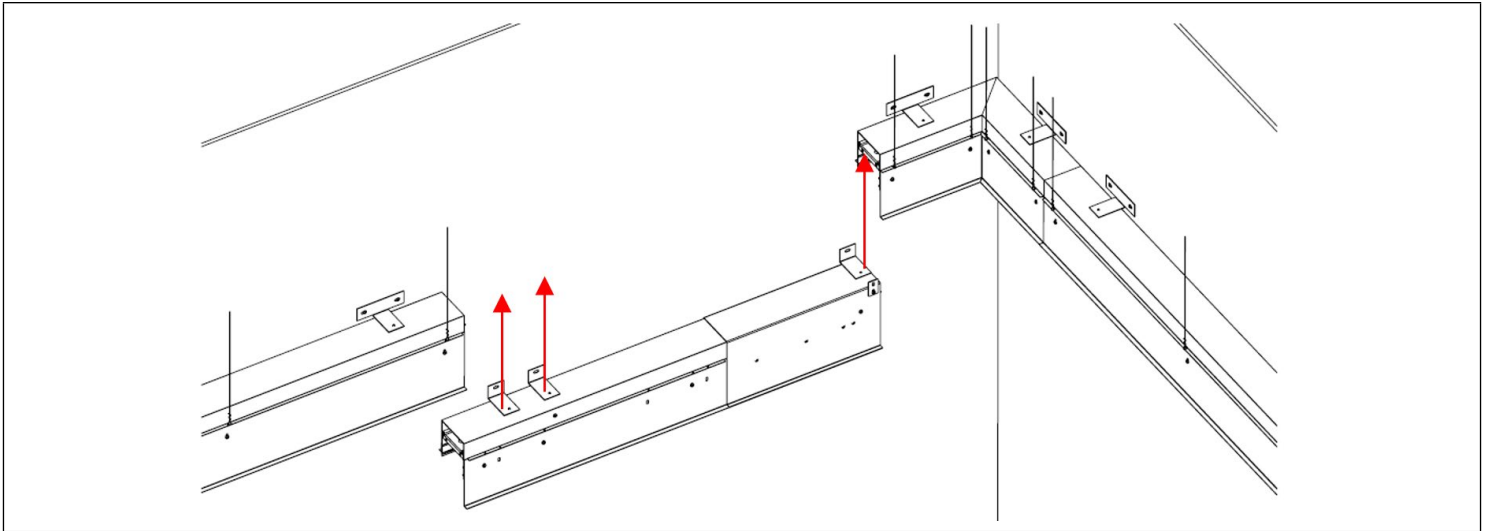
Fixed Length to Dual Telescopic Run



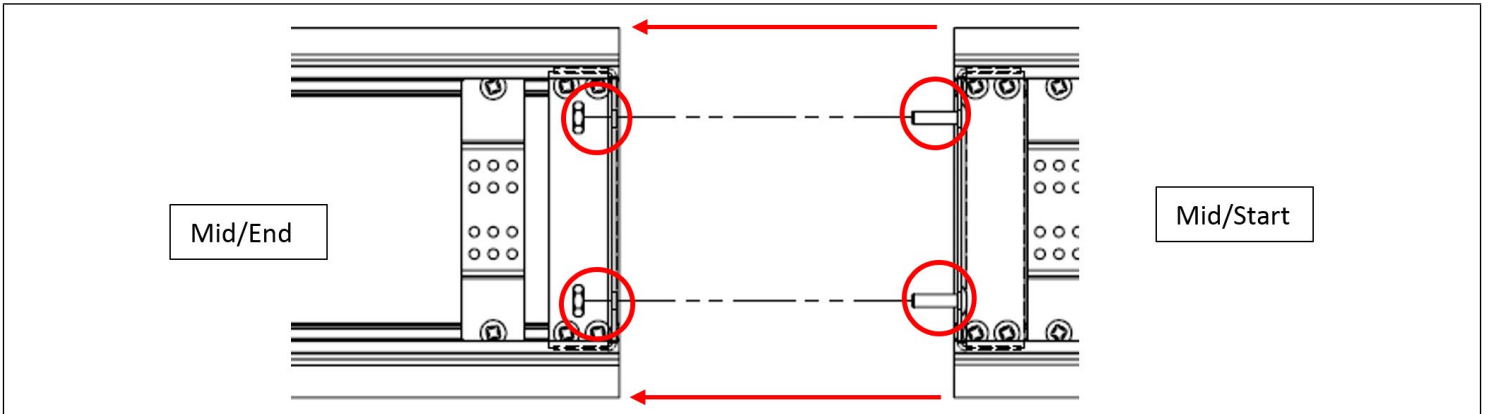
STEP 10. Lift luminaire up into ceiling and fasten to wall (A). Secure suspension cables to holes on Fascia and Telescopic Suspension Hanger (B). Mounting Bracket (B) by fastening them from the inside of the luminaire body. Secure suspension cables to holes on Fascia and Telescopic Suspension Hanger (C).

Specifications and design subject to change without notice.

STEP-BY-STEP INSTRUCTIONS

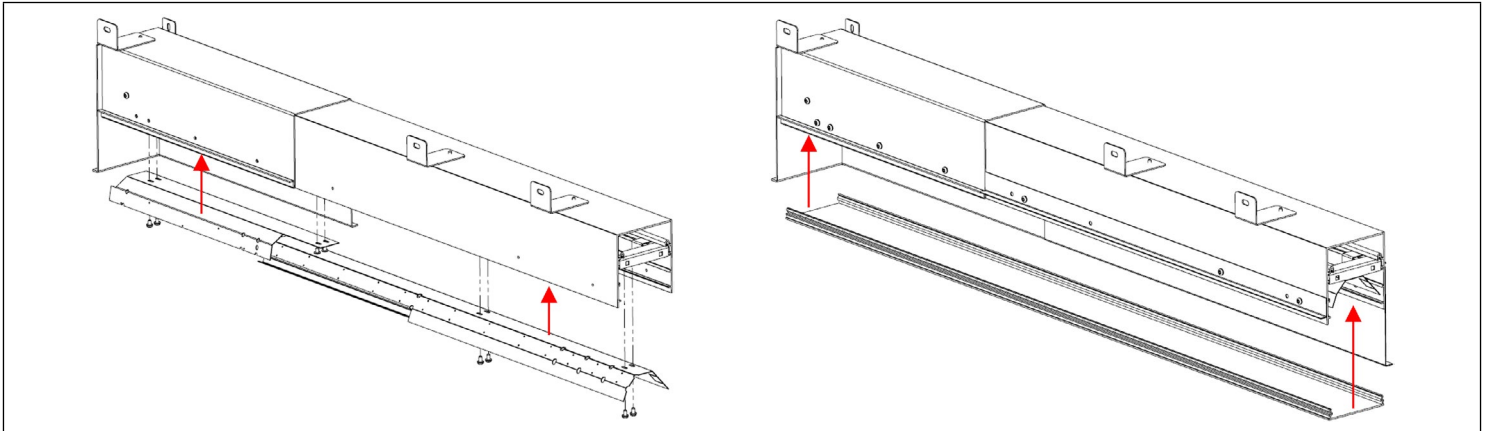


STEP 11. If corners are used, it is recommended that corner units be installed before any telescopic luminaires. Ensure the reflector and lens is removed from the corner unit. Install the telescopic luminaire as per step 10.



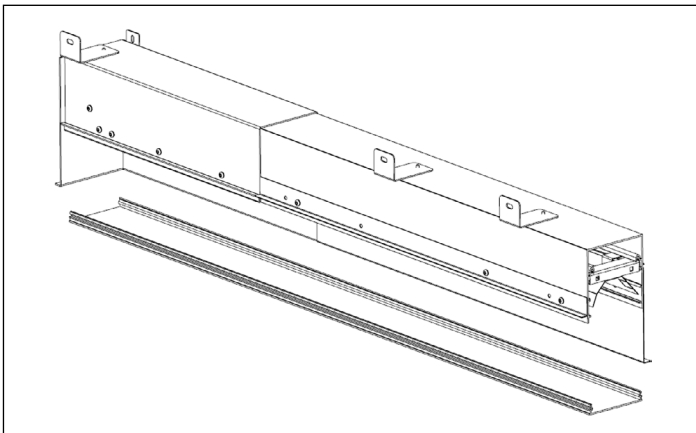
STEP 12. For continuous runs, remove the nut from the screw on the installed fixture and secure the joiner brackets of each luminaire by fastening screws through holes circled. Connect wires as described in the wiring diagram.

STEP-BY-STEP INSTRUCTIONS

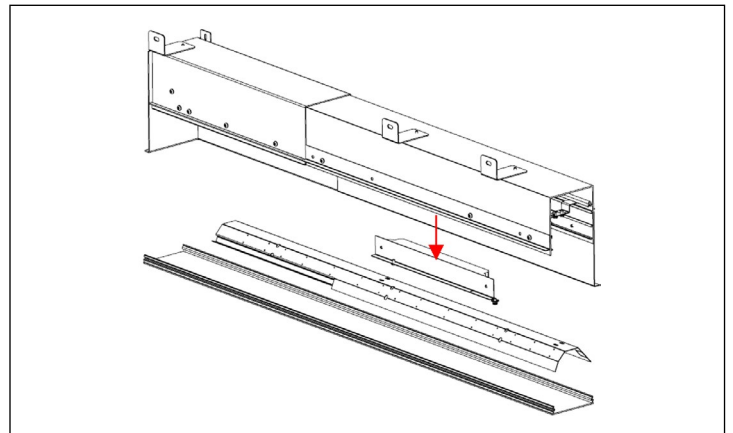


STEP 13. Once installation is complete, secure the reflector and lens back to the luminaire.

MAINTENANCE



For LED board maintenance, remove the lens by gently pressing into the middle of the lens near the endcap and prying up the exposed edge.



For driver maintenance, continue by removing the reflector assembly. Remove driver mounting plate assembly and service driver as required.

Specifications and design subject to change without notice.