

NOTE: The following instructions provide general guidelines for product installation. For additional information consult the applicable electrical codes or contact factory directly for support before attempting anything with uncertainty.

CAUTION: Do not assemble luminaire runs on floor.

WARNING: Risk of fire and electrical shock. **DISCONNECT POWER AT ELECTRICAL PANEL** before installing or servicing this product.

GENERAL SAFETY INSTRUCTIONS:

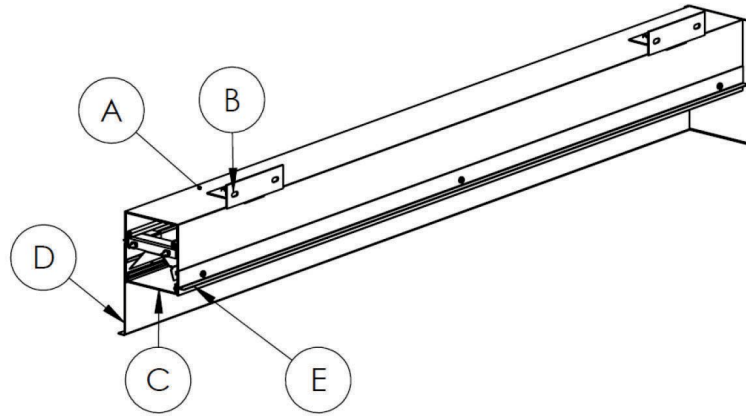
1. Read all instructions prior to installing this luminaire.
2. This product must be installed in accordance with the applicable installation code by a person familiar with the construction and operation of the product and the hazards involved.
3. All wiring must be performed by a qualified electrician in accordance with national and local building and electrical codes.
4. This luminaire must be suitably grounded for your protection against shock hazards and to assure proper operation.
5. Make sure that the power source conforms to the requirements of this luminaire.
6. This product has accessible output terminals. Based on Canadian Electrical Code for class 2 circuits, this product requires installation in Restricted Access Area, so that no live parts are accessible to unauthorized persons.

Specifications and design subject to change without notice.

PARTS LIST

MAIN PARTS LIST

- A. Luminaire Body
- B. Wall Mounting Bracket
- C. Lens
- D. Fascia
- E. Wall Side Bracket



WIRING DIAGRAM

WIRE ENTRY 5 LEADS

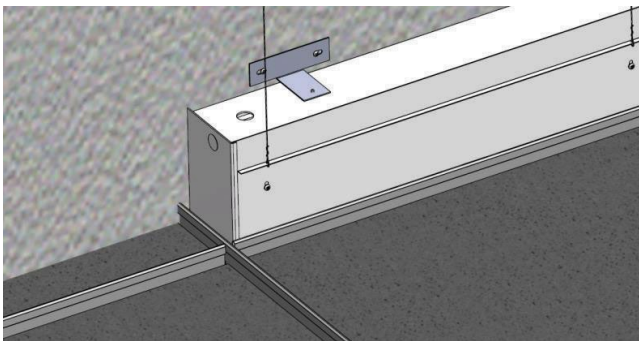


INTEGRAL DRIVER TO LINE VOLTAGE

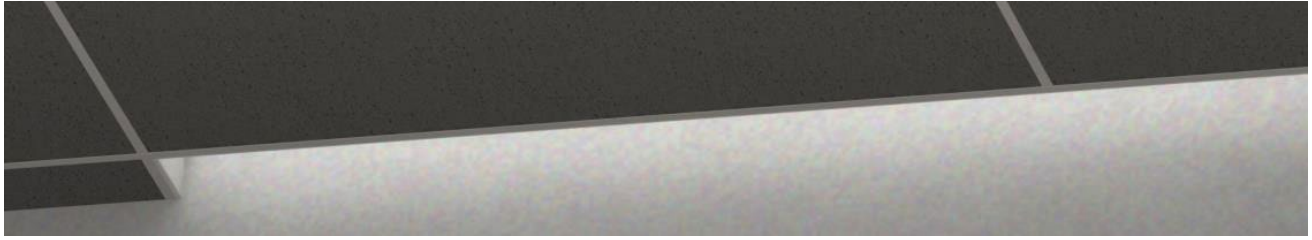
T-BAR CENTERS SPACING

FIXTURE	T-BAR LENGTH	T-BAR WIDTH
4'	1219.2 mm (48.0")	101.6 mm (4.0")
8'	2438.4 mm (96.0")	101.6 mm (4.0")
12'	3657.6mm (144.0")	101.6 mm (4.0")

FIXTURE FITS STANDARD T-BAR (9/16" & 15/16")



Specifications and design subject to change without notice.

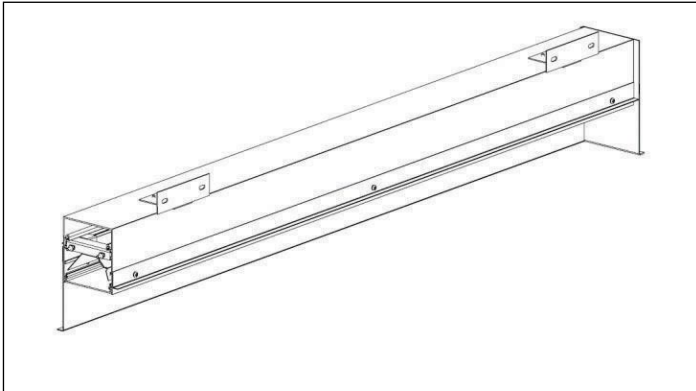


Required Tools

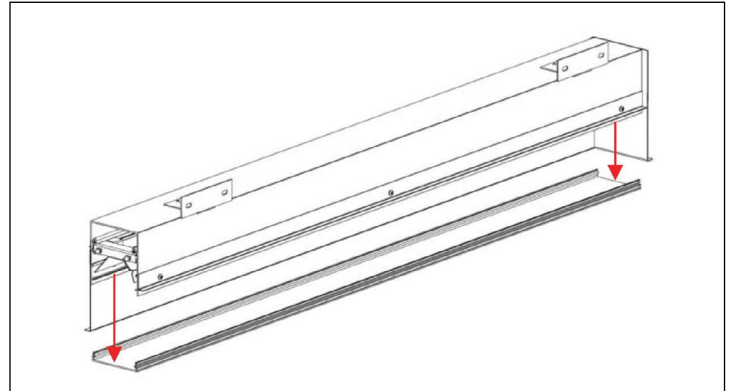
DRILL	#8 PHILLIPS BIT	#8 PHILLIPS SCREWDRIVER	WRENCH
			
<p>Important: Use clean gloves to avoid adding oil/dirt to optics surface. Avoid scratching optics by using installation tools with soft plastic rounded edges.</p>			

Specifications and design subject to change without notice.

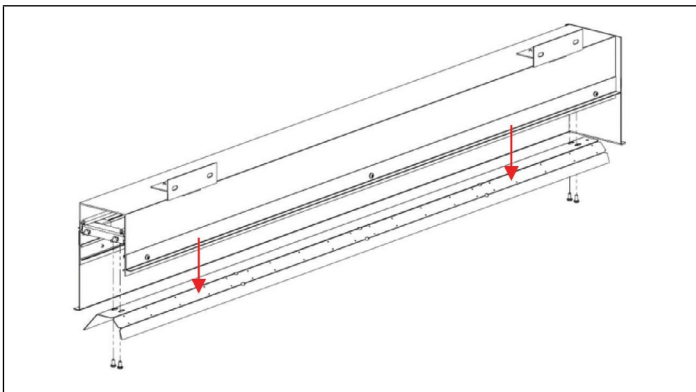
STEP-BY-STEP INSTALLATION INSTRUCTIONS



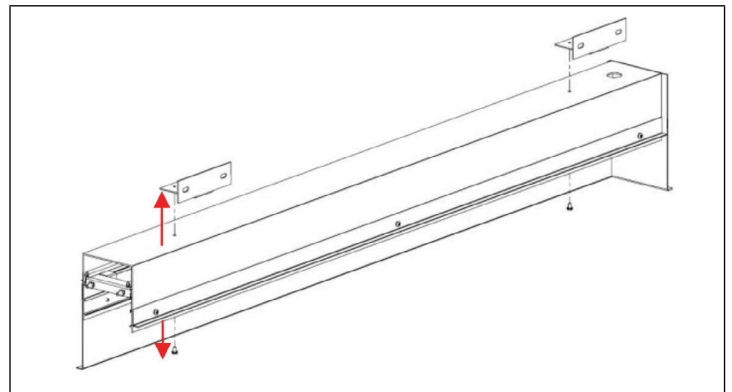
STEP 1. Remove luminaire from packaging.



STEP 2. Remove the lens by gently pressing into the middle of the lens near the endcap and prying up the exposed edge.



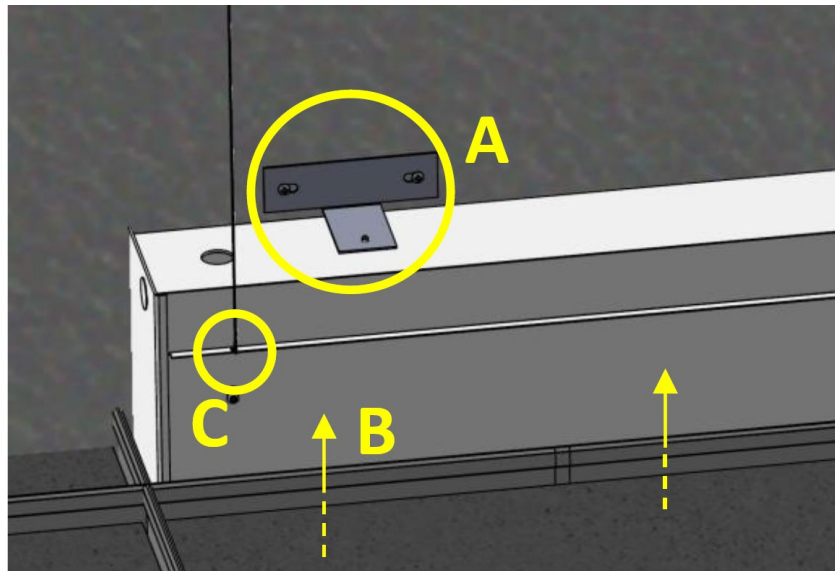
STEP 3. Unscrew fasteners to remove reflector assembly



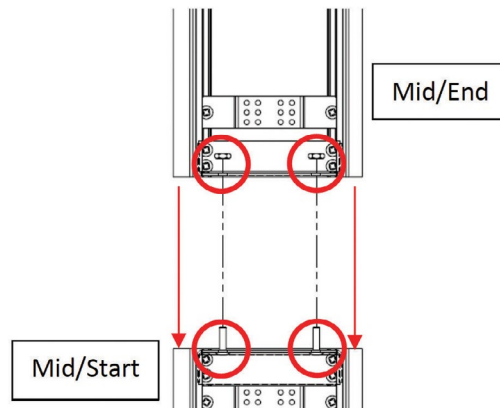
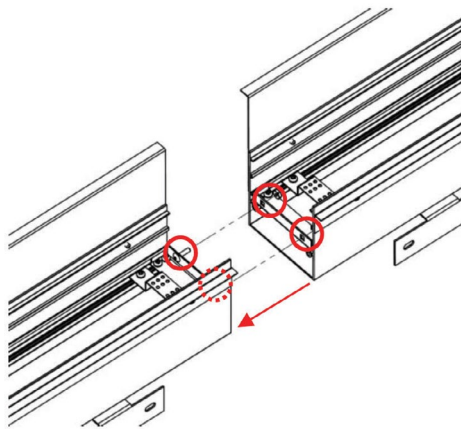
STEP 4. Unscrew fasteners from inside of Luminaire Body to free Wall Mounting Brackets.

Specifications and design subject to change without notice.

STEP-BY-STEP INSTALLATION INSTRUCTIONS



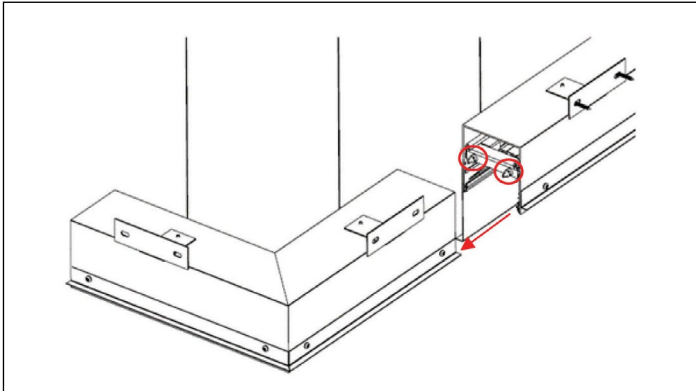
STEP 5. Install wall mounting brackets above ceiling (A). Lift luminaire up into ceiling and reattach to wall mounting bracket (B) by fastening them from the inside of the luminaire body. Secure suspension cables to holes on fascia (C).



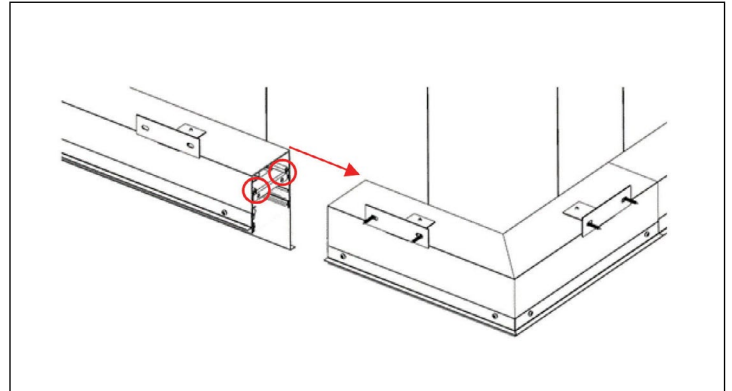
STEP 6. For continuous runs, with the reflector and lens removed, attach the joiner brackets of each unit using the two screws circled. Connect wires between luminaires as per the wiring diagram.

Specifications and design subject to change without notice.

STEP-BY-STEP INSTALLATION INSTRUCTIONS

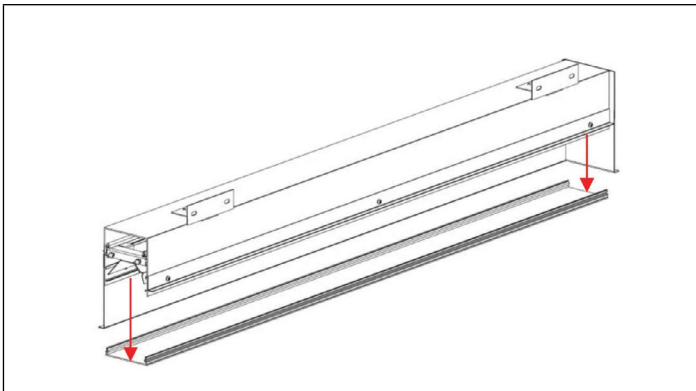


STEP 7. For corners, remove the lens and reflector pairs from the corner unit. Attach the corner to the preceding unit joiner bracket using the 2 screws shown. Connect wires between the luminaires as per the wiring diagram. Secure to ceiling as per step 5.

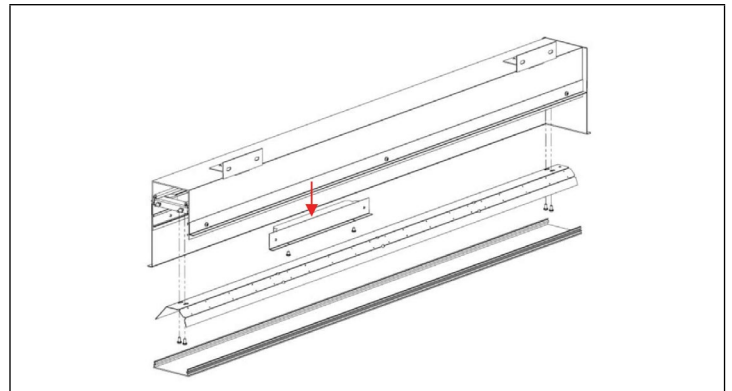


STEP 8. Attach the next mid/end unit to the corner unit as per step 6. Connect wires between luminaires as per the wiring diagram. Reinstall the reflector and lens in the corner.

MAINTENANCE STEPS



For LED board maintenance, remove the lens by gently pressing into the middle of the lens near the endcap and prying up the exposed edge.



For driver maintenance, continue by removing the reflector assembly. Remove driver mounting plate assembly, and service driver as required.

Specifications and design subject to change without notice.