

NOTE: The following instructions provide general guidelines for product installation. For additional information consult the applicable electrical codes or contact factory directly for support before attempting anything with uncertainty.

CAUTION: Do not assemble luminaire runs on floor.

WARNING: Risk of fire and electrical shock. **DISCONNECT POWER AT ELECTRICAL PANEL** before installing or servicing this product.

GENERAL SAFETY INSTRUCTIONS:

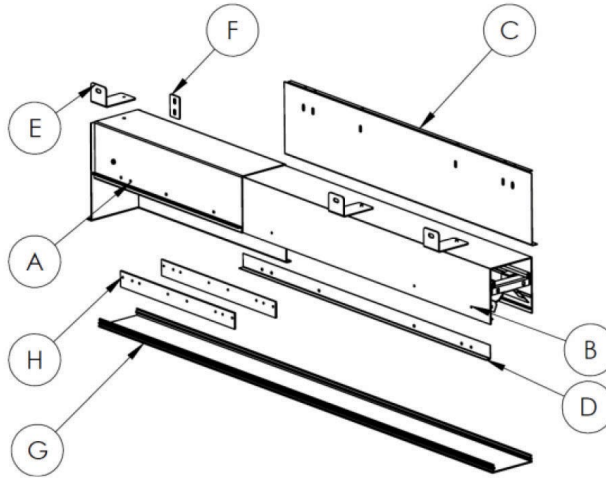
1. Read all instructions prior to installing this luminaire.
2. This product must be installed in accordance with the applicable installation code by a person familiar with the construction and operation of the product and the hazards involved.
3. All wiring must be performed by a qualified electrician in accordance with national and local building and electrical codes.
4. This luminaire must be suitably grounded for your protection against shock hazards and to assure proper operation.
5. Make sure that the power source conforms to the requirements of this luminaire.
6. This product has accessible output terminals. Based on Canadian Electrical Code for class 2 circuits, this product requires installation in Restricted Access Area, so that no live parts are accessible to unauthorized persons.

Specifications and design subject to change without notice.

PARTS LIST

MAIN PARTS LIST

- A. Luminaire (Telescopic) Enclosure
- B. Luminaire (Fixed) Enclosure
- C. Fascia
- D. Wall Spacer
- E. Wall Mounting Bracket
- F. Telescopic Suspension Hanger
- G. Lens
- H. Spacer Plate



WIRING DIAGRAM

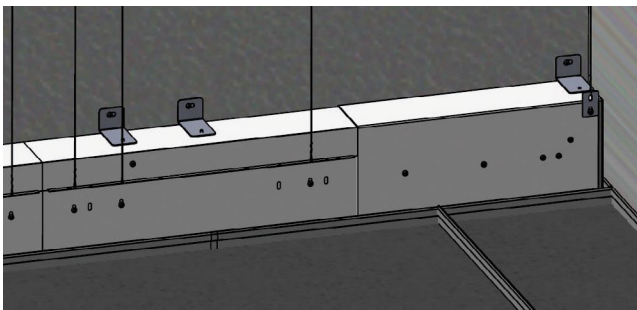
WIRE ENTRY 5 LEADS



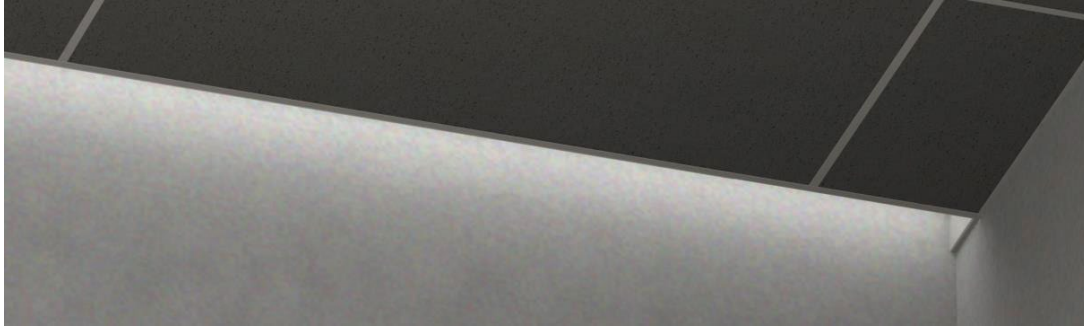
INTEGRAL DRIVER TO LINE VOLTAGE

T-BAR CENTERS SPACING







FIXTURE	T-BAR LENGTH	T-BAR WIDTH
Telescopic	Variable	101.6 mm (4.0")
FIXTURE FITS STANDARD T-BAR (9/16" & 15/16")		



Specifications and design subject to change without notice.



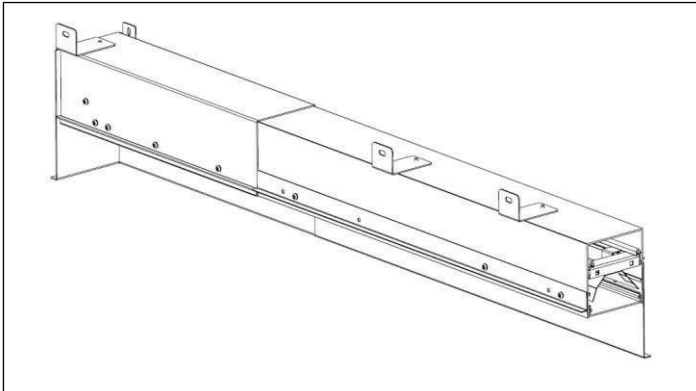
Required Tools

DRILL	#8 PHILLIPS BIT	#8 PHILLIPS SCREWDRIVER	WRENCH	MITER SAW (ALUMINUM BLADE)	MEASURING TAPE
					

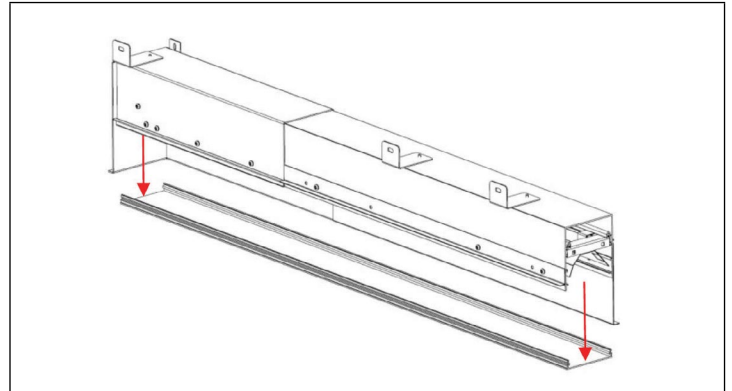
Important: Use clean gloves to avoid adding oil/dirt to optics surface. Avoid scratching optics by using installation tools with soft plastic rounded edges.

Specifications and design subject to change without notice.

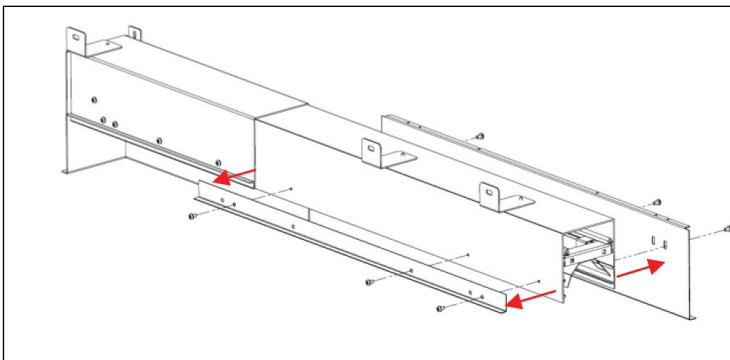
STEP-BY-STEP INSTALLATION INSTRUCTIONS



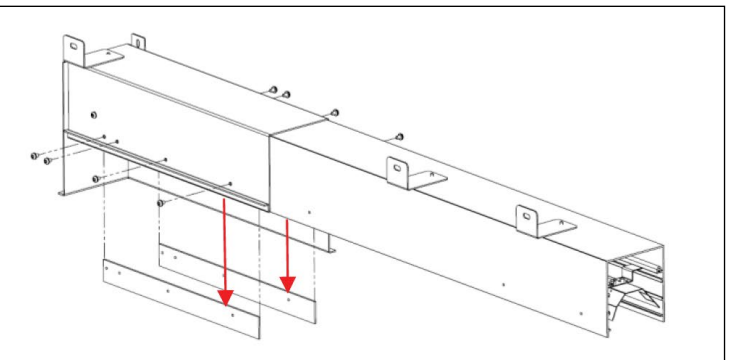
STEP 1. Remove pre-assembled luminaire from packaging.



STEP 2. Remove the lens by gently pressing into the middle of the lens near the endcap and prying up the exposed edge.



STEP 3. Unscrew fasteners to remove Fascia, Wall Spacer, and Spacer Plates.

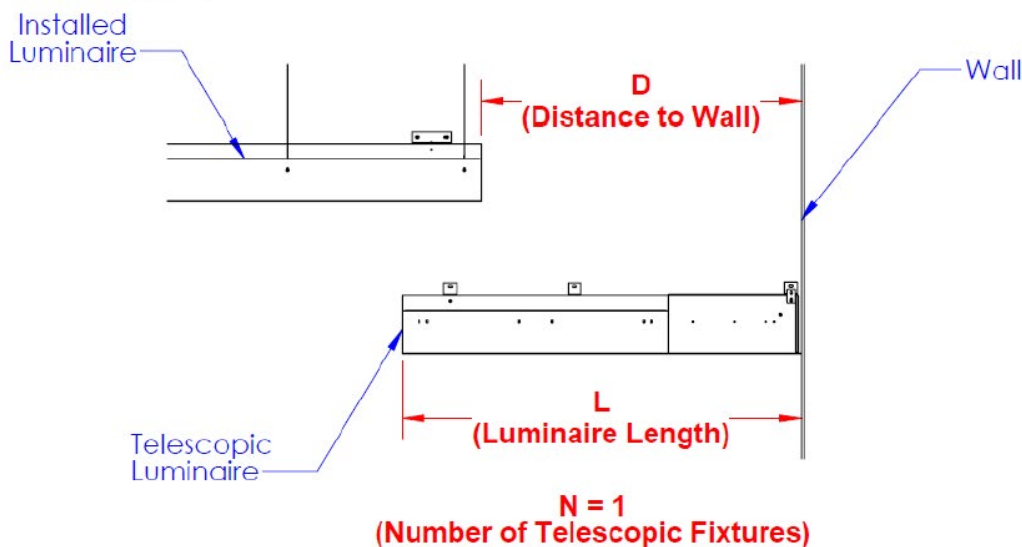


STEP 4. Unscrew fasteners and remove reflector assembly.

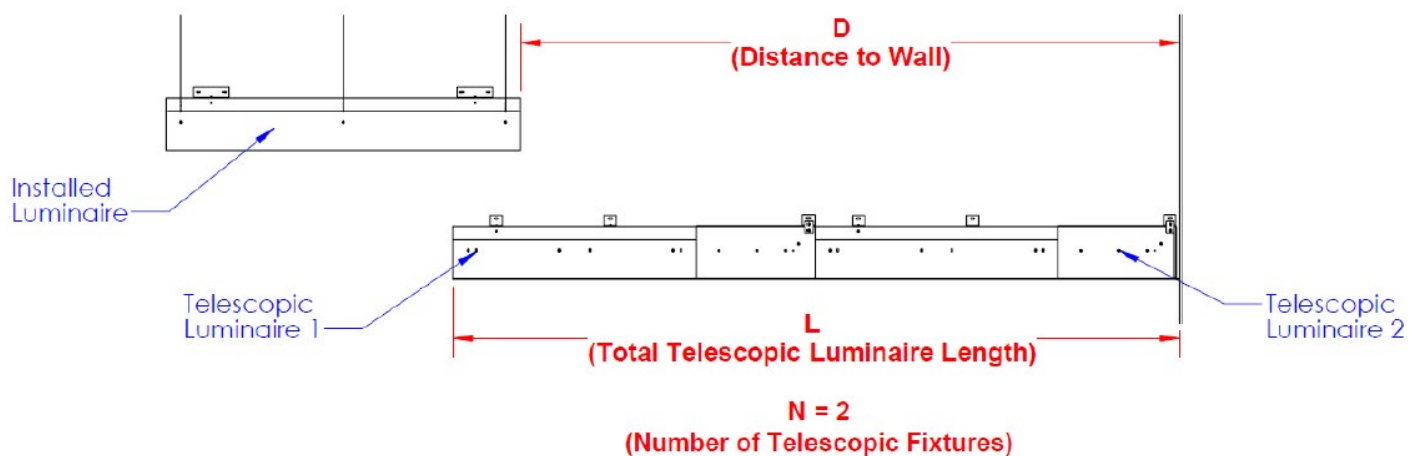
Specifications and design subject to change without notice.

STEP-BY-STEP INSTALLATION INSTRUCTIONS

SINGLE TELESCOPIC (N=1)



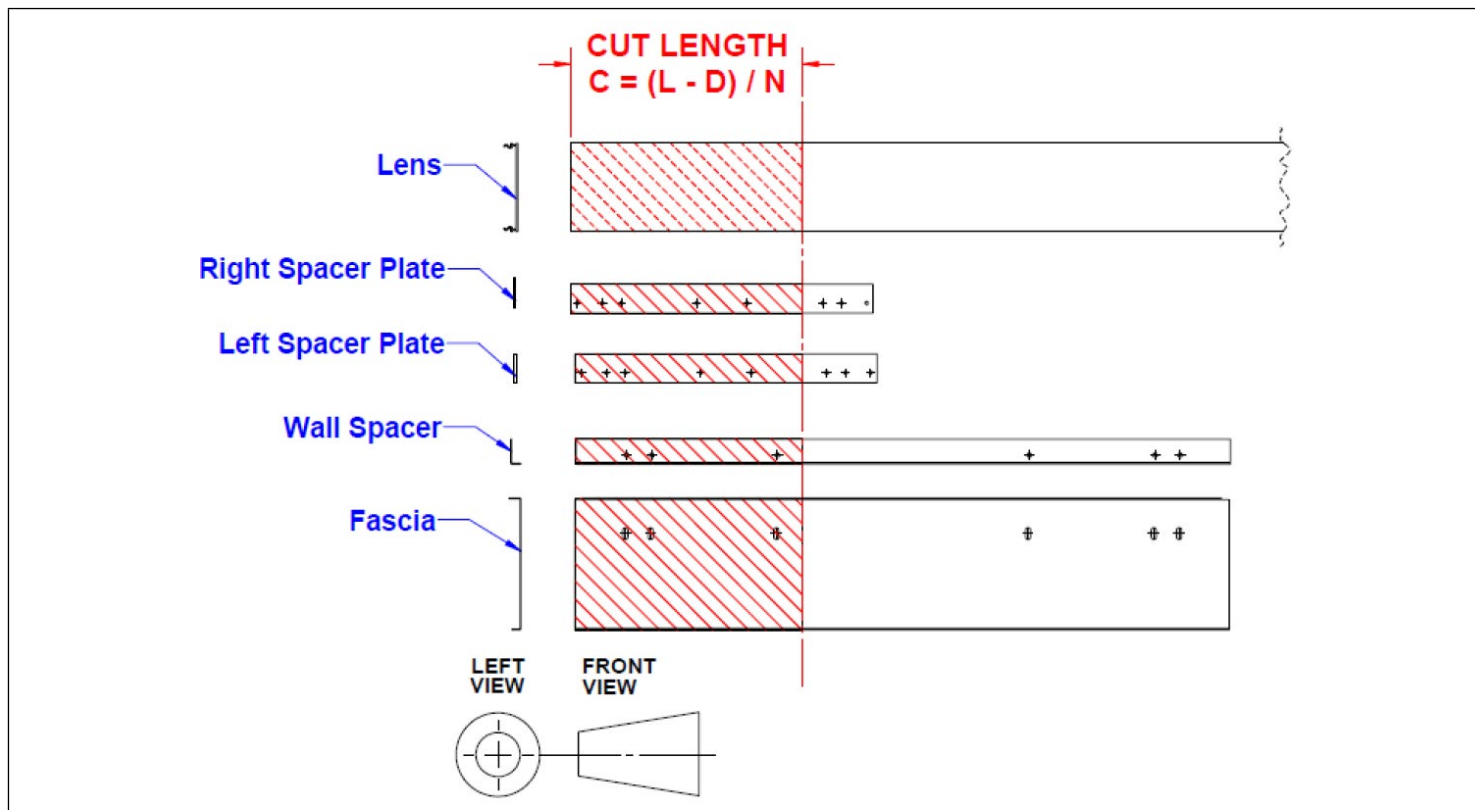
DUAL TELESCOPIC (N=2)



STEP 5. Measure the Telescopic Luminaire Length, including the length of any flanges if applicable (L). Then measure the distance from the Installed Luminaire to the Wall or next fixture (D). For arrangements requiring a single telescopic luminaire, N=1. For arrangements requiring dual telescopic luminaires, N=2.

Specifications and design subject to change without notice.

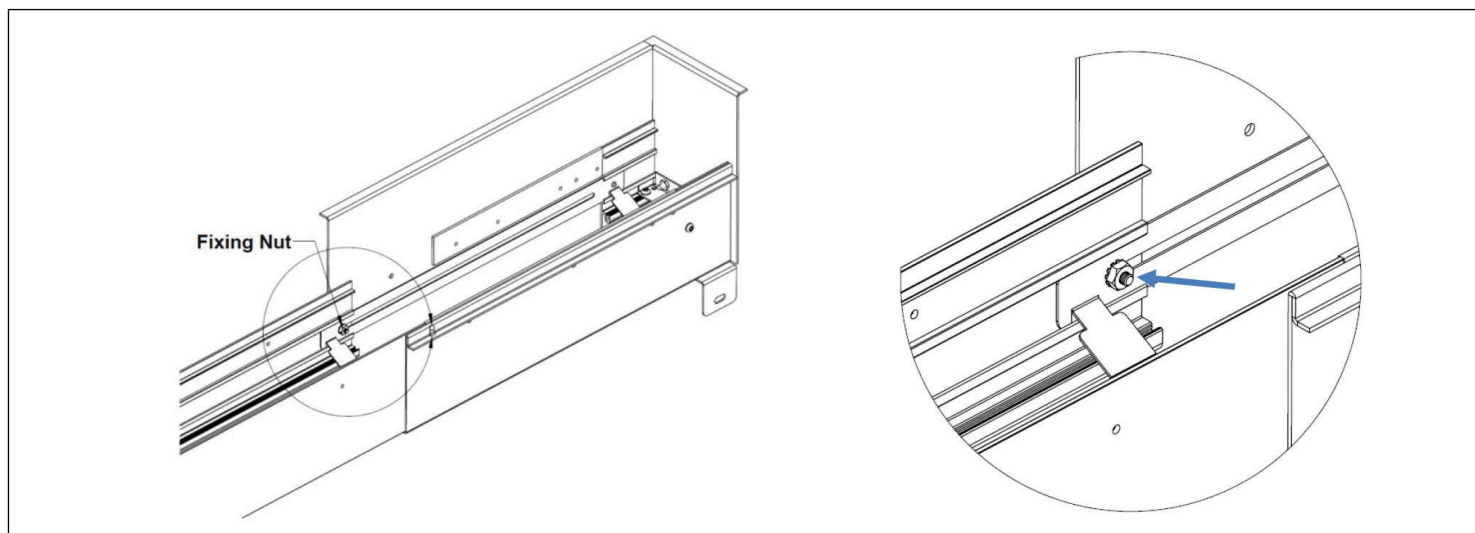
STEP-BY-STEP INSTALLATION INSTRUCTIONS



STEP 6. Cut pieces to cut lengths $C = (L - D) / N$.

Example: if a single ($N=1$) fully extended telescopic luminaire was 1218.6mm (L) and the distance from an installed luminaire to the wall was 1000mm (D), then the cut length would be $(1218.6 - 1000) / 1 = 218.6$ mm (C).

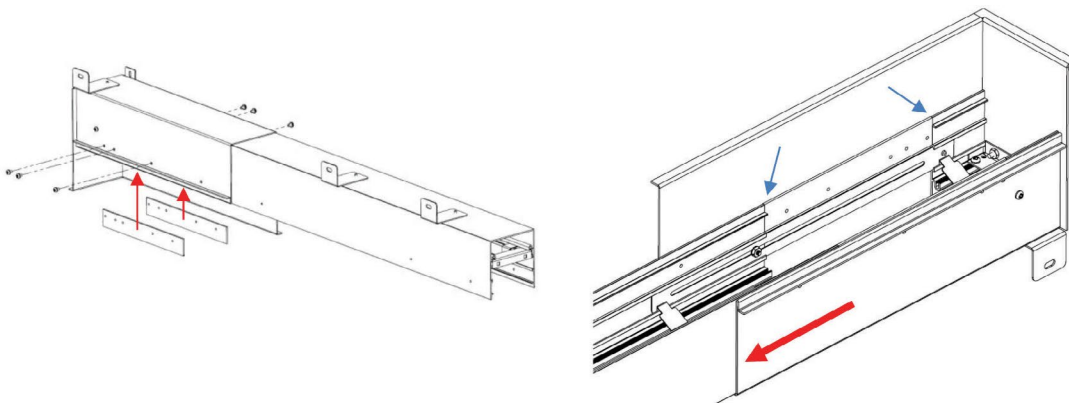
NOTE: Ensure correct orientation of Fascia and Wall Spacer before cutting. Refer to Front and Left views.



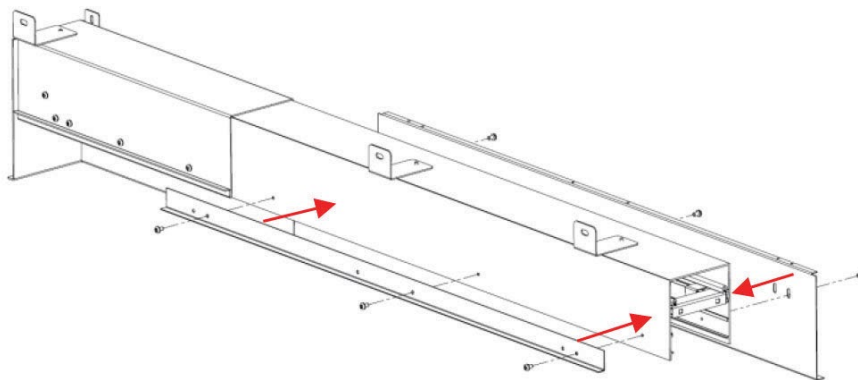
STEP 7. Loosen (but do not remove) Fixing Nut on both sides of luminaire body.

Specifications and design subject to change without notice.

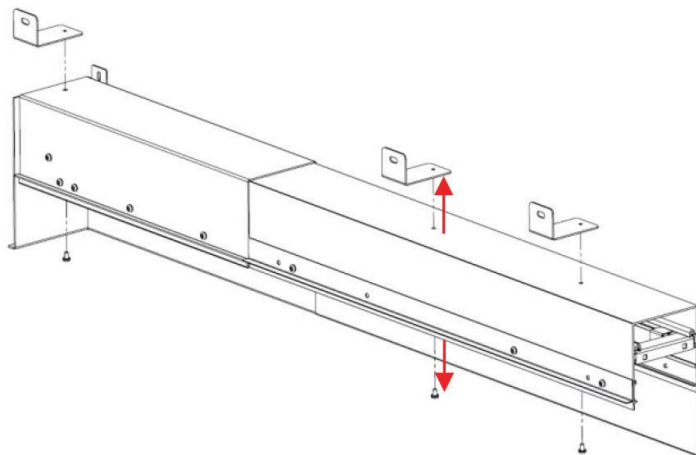
STEP-BY-STEP INSTALLATION INSTRUCTIONS



STEP 8. Install newly-cut Spacer Plates. Slide the telescopic portion over the body until gap between Spacer Plates and body is closed. Tighten the fixing nuts.



STEP 9. Reinstall Fascia and Wall Spacer.

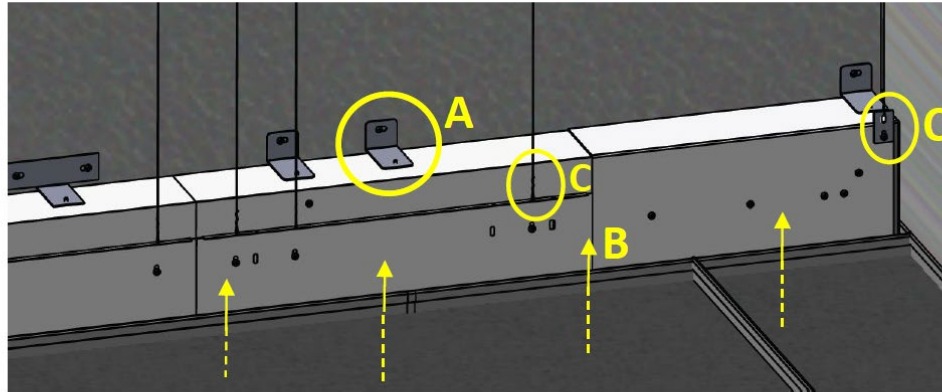


STEP 10. Unscrew fasteners from inside of luminaire body to free Wall Mounting Brackets.

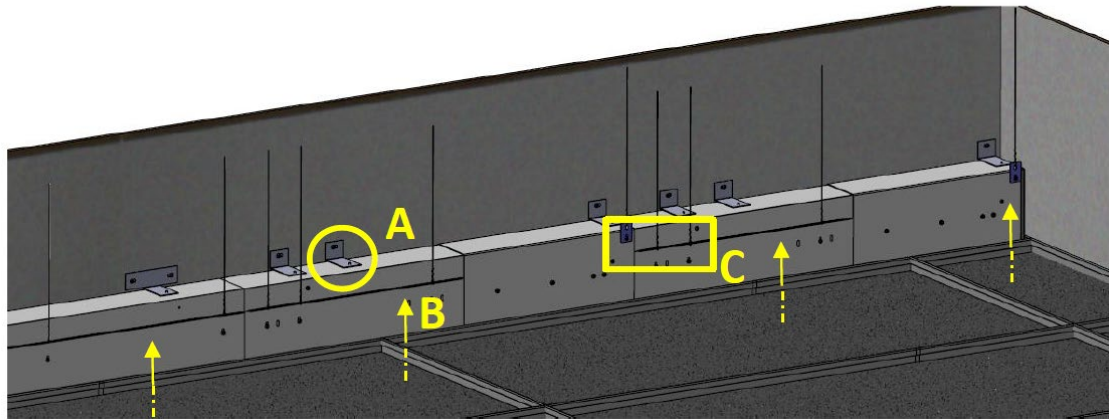
Specifications and design subject to change without notice.

STEP-BY-STEP INSTALLATION INSTRUCTIONS

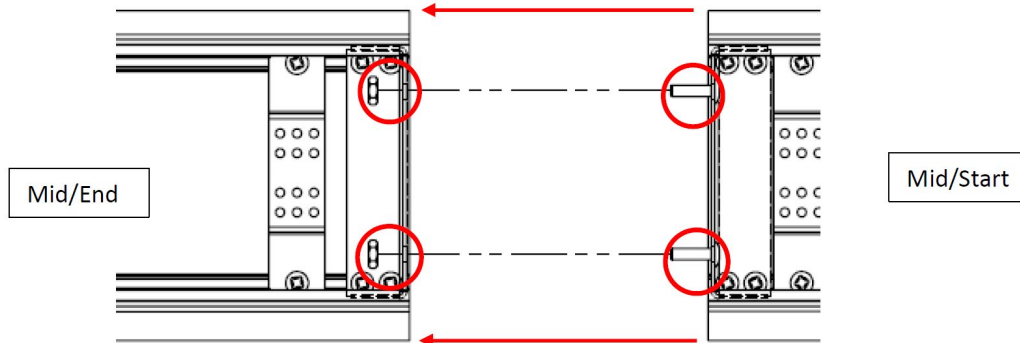
Fixed Length to Single Telescopic Run



Fixed Length to Dual Telescopic Run



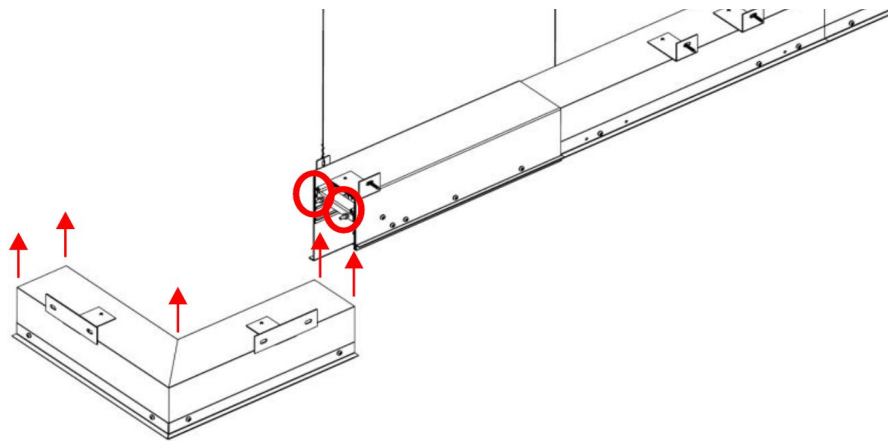
STEP 11. Install Wall Mounting Brackets above ceiling (A). Lift luminaire up into ceiling and reattach to Wall Mounting Bracket (B) by fastening them from the inside of the luminaire body. Secure suspension cables to holes on Fascia and Telescopic Suspension Hanger (C).



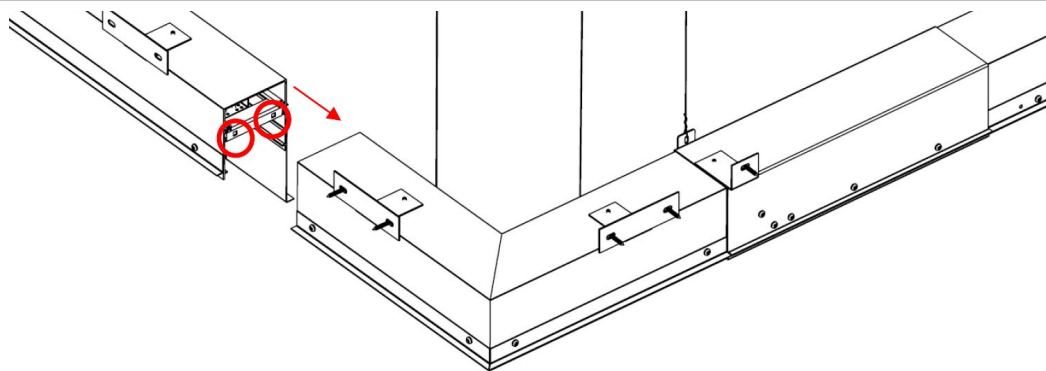
STEP 12. For continuous runs, remove the nut from the screw on the installed fixture and secure the joiner brackets of each luminaire by fastening screws through holes circled. Connect wires as described in the wiring diagram.

Specifications and design subject to change without notice.

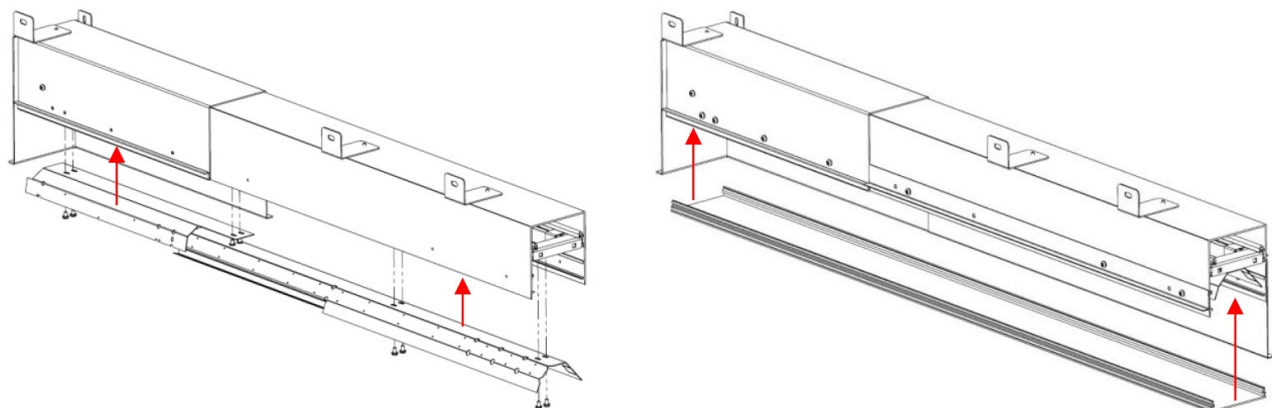
STEP-BY-STEP INSTALLATION INSTRUCTIONS



STEP 13 For corners, remove the lens and reflector pairs from the corner unit. Attach the corner to the preceding unit joiner bracket using the 2 screws circled, Connect wires between the luminaires as per the wiring diagram. Secure to ceiling as per step 11.



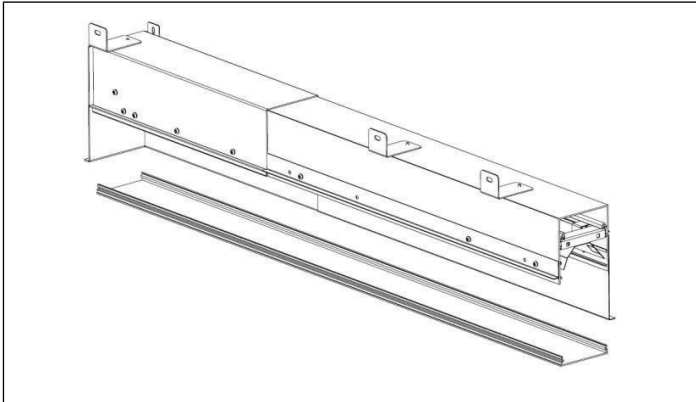
STEP 14. Attach the next mid/end unit to the corner unit as per step 12. Connect wires between luminaires as per the wiring diagram. Reinstall the reflector and lens in the corner.



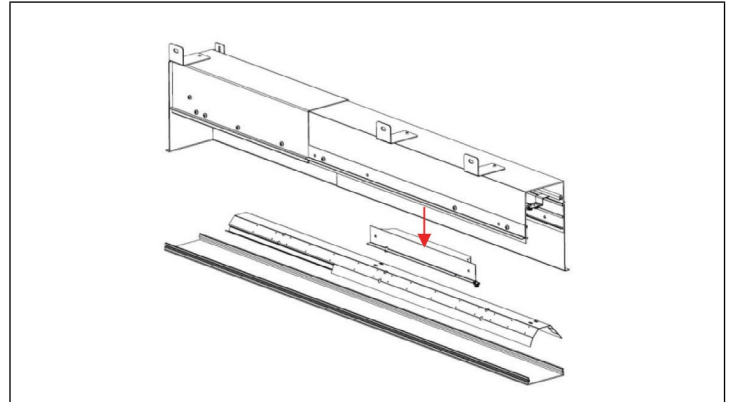
STEP 15. Once installation is complete, secure the reflector and lens back to the luminaire.

Specifications and design subject to change without notice.

MAINTENANCE STEPS



For LED board maintenance, remove the lens by gently pressing into the middle of the lens near the endcap and prying up the exposed edge.



For driver maintenance, continue by removing the reflector assembly. Remove driver mounting plate assembly and service driver as required.

Specifications and design subject to change without notice.