

NOTES:

1. Installation should be completed by an individual familiar with the construction and operation of the luminaire.
2. Installation of luminaire must be in accordance with nation and local building and electrical codes.
3. Carefully read and follow all warnings and instructions before installing or servicing the luminaire.
4. The following instructions provide general guidelines for product installation. For additional information consult the applicable electrical codes or contact factory directly for support before attempting anything with uncertainty.
5. Instructions do not cover all details and all possible product configurations.
6. Do not restrict luminaire ventilation.
7. Ensure LED luminaire is not covered with material that will prevent convection or conduction cooling.
8. Do not exceed luminaire's maximum ambient temperature.
9. Ensure LED luminaire has the correct polarity before installation.
10. These products have maximum rated output voltage that exceeds the voltage limits that cannot be accessible based on voltage restrictions for Class 2 circuits in Canadian Electrical Code. This output complies with the definition of Class 2 per Canadian Electrical Code. This product complies with this requirement since the installation instruction requires installation in restricted access area.
11. Do not mount the luminaire to ceiling if convenience outlet option is provided.
12. Do not use the luminaire housing as junction box cover unless the housing width is wider than the junction box.

WARNINGS:

Electric shock

- Disconnect or turn off power before installing or servicing luminaire.
- All electrical wiring to be completed by a qualified licensed electrician in accordance with local and National/Canadian Electrical Code.
- Ensure supply voltage corresponds with the correct ballast/driver voltage.
- Avoid exposing wiring to metal edges and sharp objects.
- Ensure that the luminaire is properly grounded to prevent electric hazards.

Fire

- Keep flammable and combustible materials away from the light source and/or lens.
- Use correctly rated supply conductors as indicated by product labeling.

Burn

- Allow luminaire to cool before handling luminaire.

Personal Injury

- Wear safety glasses and gloves when handling the luminaire to avoid physical injury.
- Avoid direct eye contact with light source.

Specifications and design subject to change without notice.

PARTS LIST

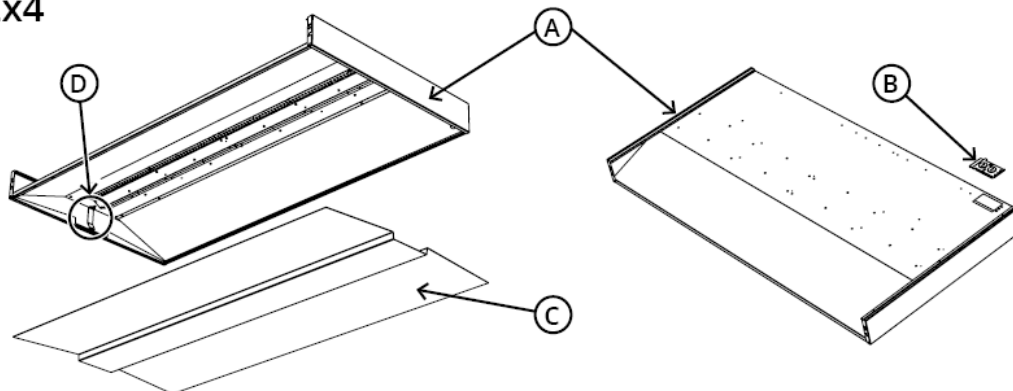
MAIN PARTS

- A. Luminaire enclosure
- B. Access Plate
- C. Diffuser / Lens
- D. Lens Retaining Clip

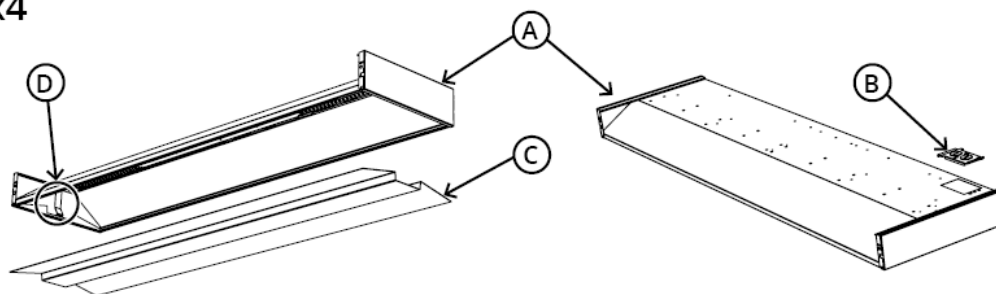
BOTTOM VIEW

TOP VIEW

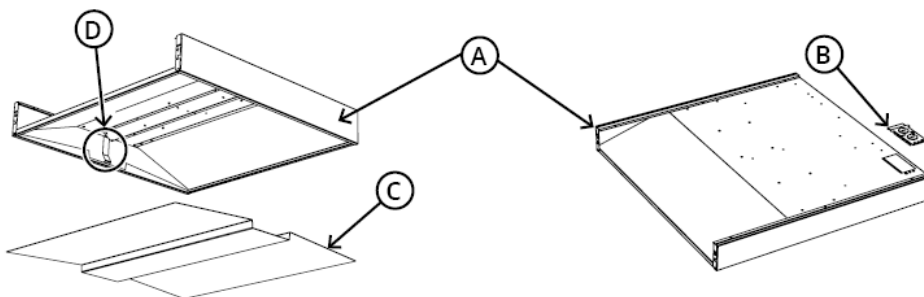
2x4



1x4



2x2



REQUIRED TOOLS

- Flat screwdriver
- Phillips screwdriver

WIRING

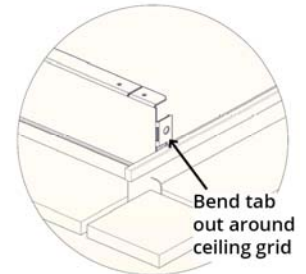
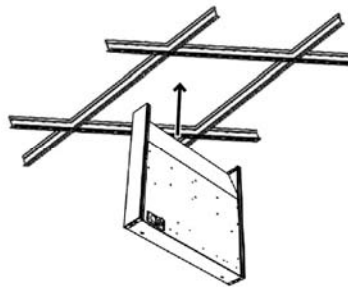
All electrical wiring is to be completed by a qualified licensed electrician in accordance with local and National/Canadian Electrical Code.

Specifications and design subject to change without notice.

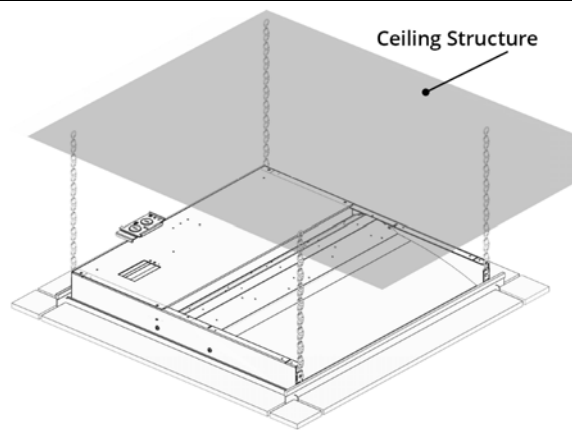
STEP-BY-STEP INSTRUCTIONS

STEP 1.

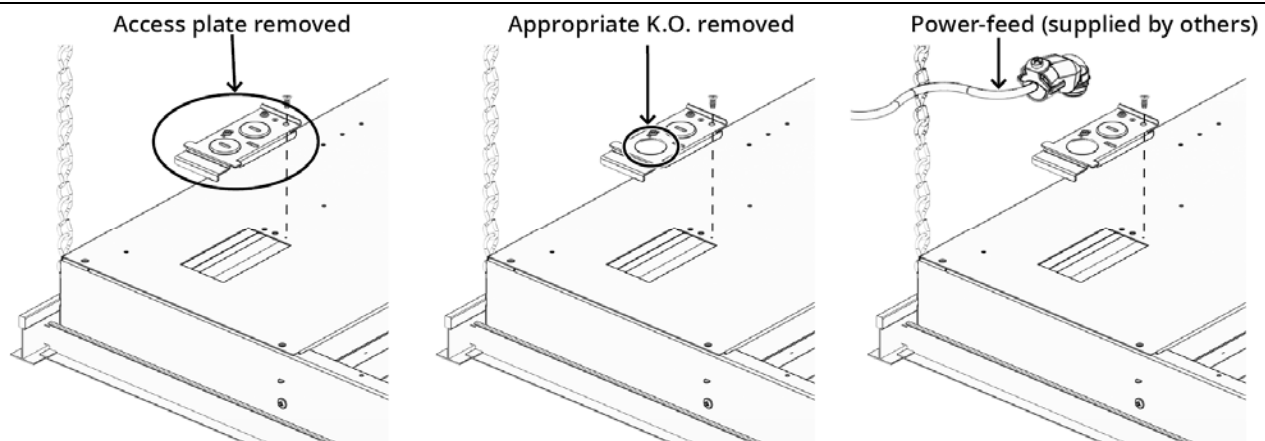
Remove fixture and all supplied parts from packaging. Fixture is shipped with T-bar brackets installed.



STEP 2. Lay luminaire into the T-bar ceiling grid and bend out corner tabs.



STEP 3. Secure luminaire with grid wire/chains (supplied by others) to the structure above per local and/or national building codes.

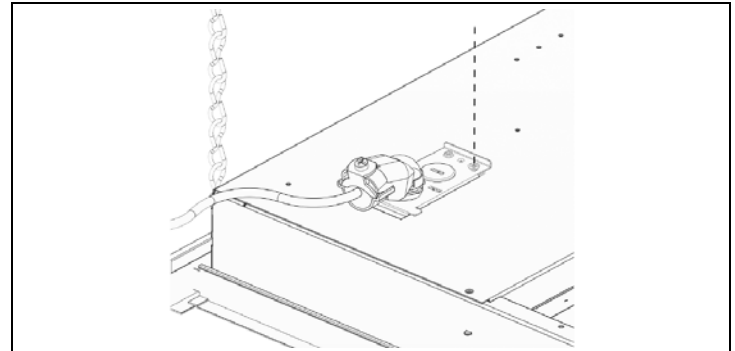


STEP 4. Remove access plate and appropriate K.O.'s to prepare for attachment of electrical power feed cable connectors (supplied by others).

Specifications and design subject to change without notice.

STEP 5.

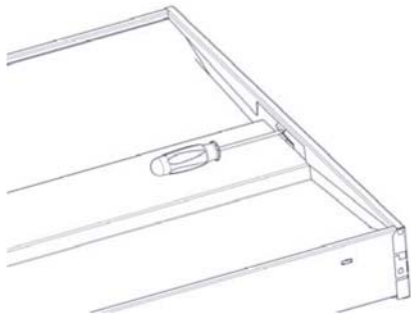
Make the necessary wiring connections and ground connections per local and national electrical building codes.



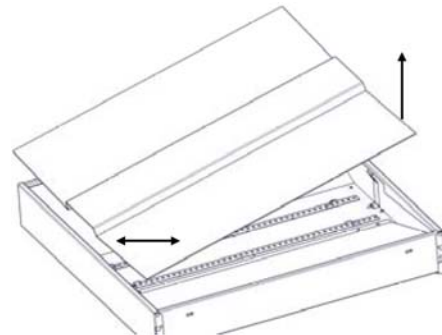
STEP 6. Reattach access plate to luminaire and secure access plate screw.

STEP 7. Install lamps and lens, where provided.

LENS REMOVAL

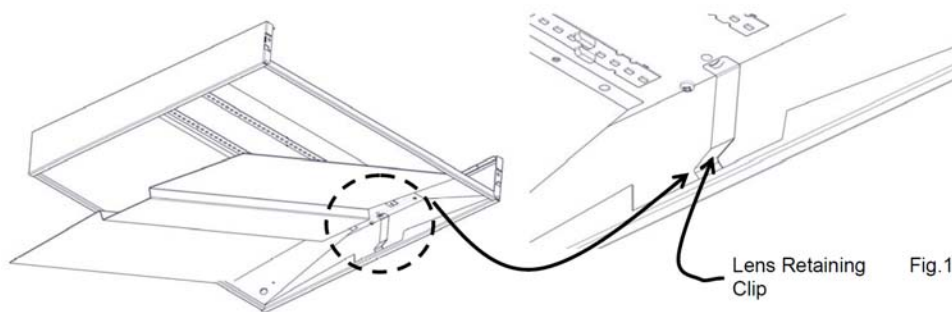


STEP 1. With flat screwdriver press gently retaining clip to release lens from frame.



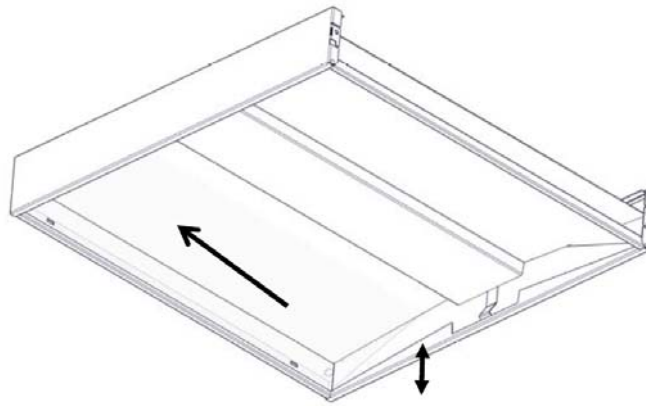
STEP 2. Carefully remove lens from luminaire by first sliding then lifting away from frame and place on clean surface top.

LENS INSTALLATION



STEP 1. Tilt lens and insert **above retaining clip** (Fig.1) and to one end of fixture.

Specifications and design subject to change without notice.



STEP 2. While holding lens in place on one end, raise the other end so that it clears the side flanges and gently drop lens to sit on interior flanges. Retaining clip may need to be re-pressed to allow lens to seat properly.

MAINTENANCE

REQUIRED TOOLS:

- Plastic/latex gloves
- Clean, dry, lint-free cloth

Important: Use clean gloves to avoid adding oil/dirt to reflector surface. Avoid scratching reflector surface by using installation tools with soft plastic rounded edges.

To clean the lens:

Gently wipe down the lens with a clean, dry cloth to remove any dust and light residues. For heavier smudges, use a clean, damp, lint-free cloth to wipe lens.

WARNING:

Hard wiping and abrasive cloths will scratch the optics. DO NOT USE cleaning products containing alcohol or acetone which will damage the optics.