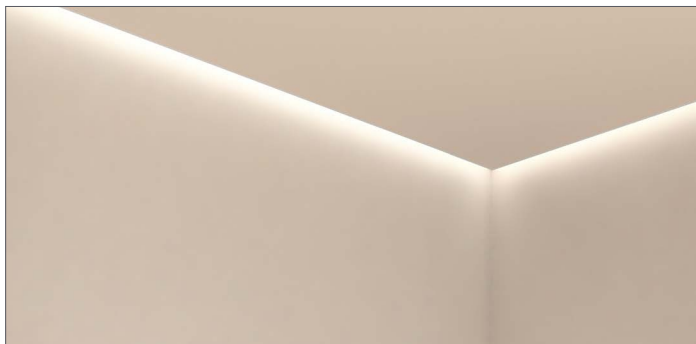


RAIL 4 RP4D TELESCOPIC

LED . RECESSED PERIMETER . DIRECT



| | |
|---------------------|--------------------|
| PART #: | |
| PREP BY: | DATE: |
| PROJECT: | |
| NOTES: | |
| APPROVAL SIGNATURE: | DATE (DD/MM/YYYY): |

PERFORMANCE SUMMARY @ 3500K

| | | Meta Blanc | Meta Blanc w/ Asymmetric Reflector |
|------------------|--------|--------------|------------------------------------|
| | | L3 | L3 |
| Lumens per foot | 80 CRI | 596 | 583 |
| | 90 CRI | 522 | 510 |
| Wattage per foot | | 6.1 | 6.1 |
| Efficacy | 80 CRI | 99 | 96 |
| | 90 CRI | 86 | 84 |
| L70 Estimate (h) | | ≥ 60,000 hrs | |

See page 2 for the complete Light Level Performance chart.

FEATURES

- Available in both flush and 3" regressed
- 0-10V standard dimming
- Continuous runs and 90 degree corners available

- Each specified run includes a telescopic section that adds up to 12 inches.



ORDERING LOGIC

Example Part Number: RP4D-1L35K-8-MB-W-L31-D-1-D-90

| 1 | 2 | 3 | 4 | 5 | 6 | 7 | 8 | 9 | 10 | 11 |
|--|---|--|---|---|--------------------------------------|---|---|--|----|----|
| RP4D | | | | | | | | | | |
| 1. SERIES RP4D | 2. COLOR TEMP 1L30K 3000K 1L35K 3500K 1L40K 4000K | 3. LENGTH** XX Total Length (in ft) Minimum length of 2 ft. - None (leave space empty) | 4. PATTERN¹ GA Square GAxB Rectangle UAxBxC U-Shape LAxB L-Shape C Custom Pattern* - None (leave space empty) | 5. OPTICS MB Meta Blanc MBA Meta Blanc w/ Asymmetric Reflector | | 6. FINISH W White C Custom Finish Specify RAL: | | 7. LIGHT LEVEL / DRIVER L1 Select Driver below. L2 See Light Level Performance chart on p2. L3 L4 | | |
| 90 CRI is available under OPTIONS | | Each specified run includes a telescopic section. | Standard Patterns - drawing of pattern configuration is required on page 3. Square: A=5 ft min. Rectangle: A=5 ft min, B=5 ft min. U-Shape: A=4 ft min, B=5 ft min, C=4 ft min. L-Shape: A=4 ft min, B=4 ft min. Select corner: <input type="checkbox"/> Outside 90° <input type="checkbox"/> Inside 90° | | Meta Blanc: Opal diffuse lens | | | | | |
| 8. CIRCUITRY 1 1 Circuit EM Emergency / Night Light* B Emergency Battery Pack* | | 9. MOUNTING T Recessed T-Bar Flush T3 Recessed T-Bar Regressed 3" D Recessed Drywall Flange Flush D3 Recessed Drywall Flange Regressed 3" K Drywall Spackle Flange K3 Drywall Spackle Flange Regressed 3" | | 10. VOLTAGE 1 120V 2 277V 3 347V 4 UNV (120 - 277V) | | 11. OPTIONS 90 90 CRI, High R9 P Plenum SL Standard Lengths Only (No Telescopic Sections) - None (leave space empty) | | | | |

*Consult factory. |**Certain lengths may include up to 2 telescopic sections. | ¹ Pattern record drawings will be sent out upon order.

Select Driver:

- Factory option 0-10V (Standard)
- Factory option 1% dimming
- LHE Lutron H-Series Hi-lume 1% EcoSystem LED Driver*
- LAE Lutron A-Series Hi-lume 1% EcoSystem LED Driver*
- LA3 Lutron A-Series Hi-lume 1% 3-wire LED Driver*
- LA2 Lutron A-Series Hi-lume 1% 2-wire LED Driver*
- L5E Lutron 5-Series EcoSystem LED Driver*

Light Level Performance

3500K, 80 CRI, 0-10V Dimming (Standard)

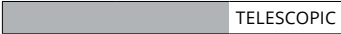
| Optics | MB | | | MBA | | |
|-----------|-----------------|------------------|----------------|-----------------|------------------|----------------|
| | Lumens per foot | Wattage per foot | Efficacy (LPW) | Lumens per foot | Wattage per foot | Efficacy (LPW) |
| L1 | 350 | 3.5 | 100 | 343 | 3.5 | 98 |
| L2 | 439 | 4.4 | 99 | 429 | 4.4 | 97 |
| L3 | 596 | 6.1 | 99 | 583 | 6.1 | 96 |
| L4 | 1106 | 12.5 | 89 | 1081 | 12.5 | 87 |

Lumen Adjustment Factor

| Color Temp | 80 CRI | 90 CRI |
|------------|--------|--------|
| 3000K | 0.984 | 0.873 |
| 3500K | 1.000 | 0.875 |
| 4000K | 1.032 | 0.879 |


TELESCOPIC SECTION LENGTHS

← 2 ft → X 12" →

TL2+1  TELESCOPIC


Min 2ft nom. Max 3ft nom. Telescopic section can be adjusted from 0 to 12". Only one end can be extended.

← 3 ft → X 12" →

TL3+1  TELESCOPIC

Min 3ft nom. Max 4ft nom. Telescopic section can be adjusted from 0 to 12". Only one end can be extended.

← 4 ft → X 12" →


TL4+1  TELESCOPIC

Min 4ft nom. Max 5ft nom. Telescopic section can be adjusted from 0 to 12". Only one end can be extended.

STANDARD SECTION LENGTHS

Standard 2', 3', 4', 5', 8', 10', 12' and inside/outside corners can be combined to make continuous rows or patterns.

← 2 ft →

2 ft 

← 3 ft →

3 ft 

← 4 ft →

4 ft 

← 5 ft →

5 ft 

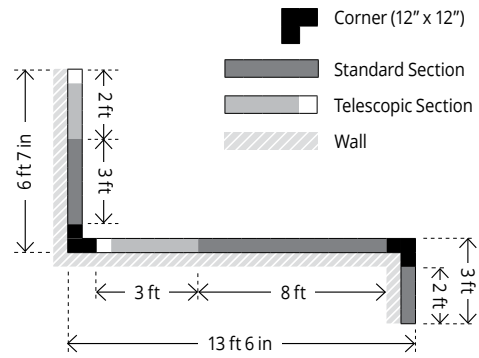
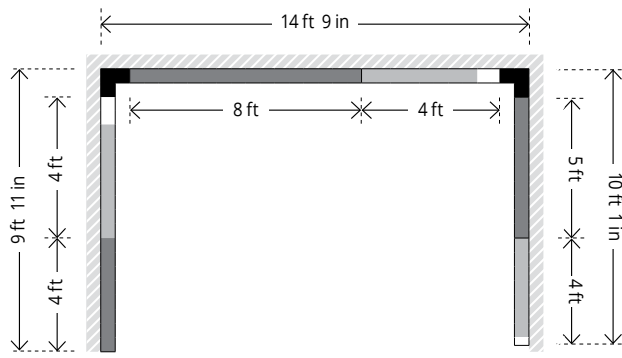
← 8 ft →

8 ft 

← 12 ft →

12 ft 

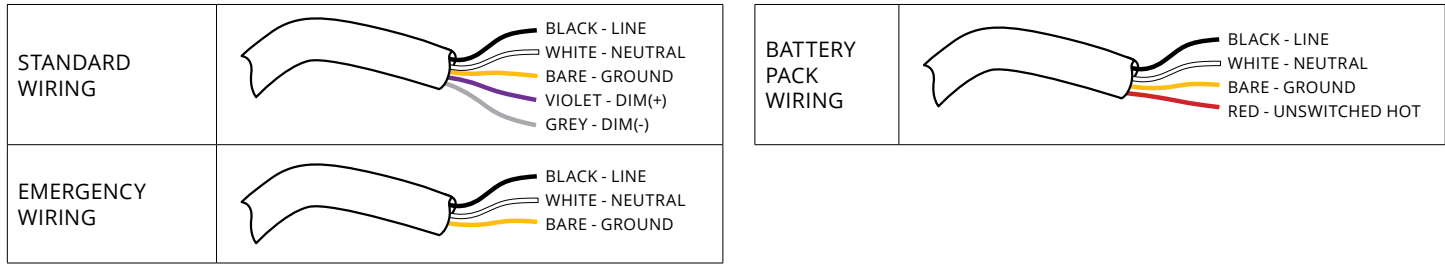
PATTERN CONFIGURATION EXAMPLES



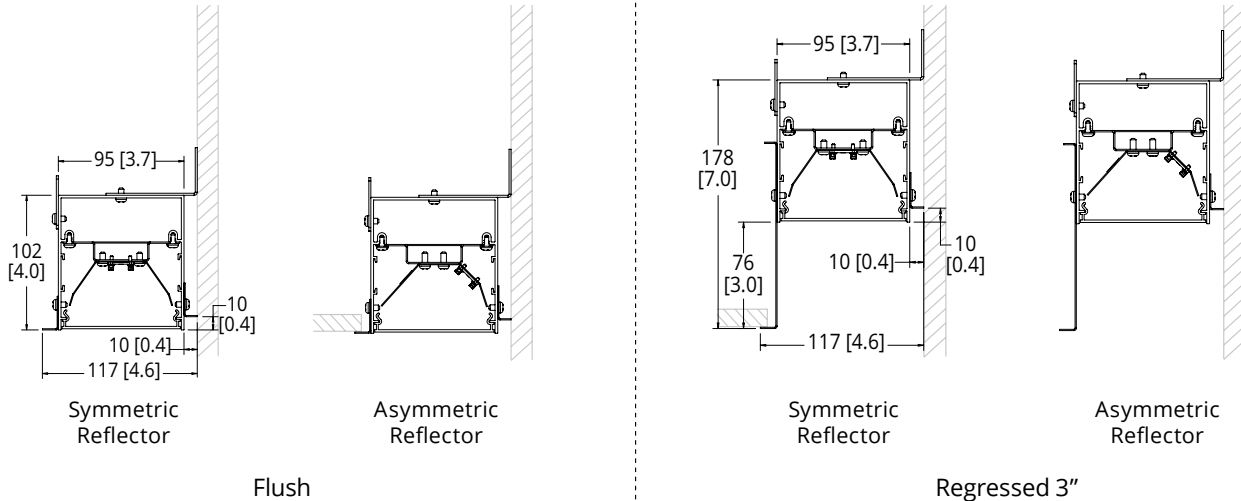
PATTERNS - A pattern configuration drawing is required in the grid below.



WIRING



CROSS SECTIONS



NOTE: Wall must be finished at least 6" above the ceiling height before flush fixture is mounted.

NOTE: Wall must be finished at least 9" above the ceiling height before regressed fixture is mounted.

SPECIFICATIONS

Due to the Continuous Improvement Policy at Metalumen, we reserve the right to change our specifications without notice.

Housing: Rigid extruded aluminum body, 2.0mm (0.08") nominal wall thickness. 95mm (3.7") wide x 102mm (4.0") high, not including height of Fascia (add up to 4"). End caps, reflectors: Formed steel. Telescopic portions can be quickly and easily cut to length in the field.
Optical System: Optical System MetalLED mid flux LED technology transmits to an internal high performance, side-kicking reflector

that then passes through our Meta Blanc acrylic diffuser for smooth distribution. This creates a continuum of smooth consistent light.
CRI: Minimum 80 CRI. 90 CRI is available as an option for superior colour rendering capability.
Lumen Maintenance: Minimum 50,000h with TM-21 lumen maintenance of 85% @ 24°C ambient temperature (calculated based on IESNA LM-80-08 LED test data).

L70: ≥ 60,000hrs.
Finish: Standard white finish. For custom finish, contact factory.
Weight: See RP4D Weights chart below.
Mounting: Suitable for 9/16" and 15/16" T-Bar.
Electrical: Fixtures are all factory pre-wired for easy connection and installation. Integral driver configuration is factory pre-wired and includes wire quick connectors.
Drivers: OSRAM OTI 50 and 85W

drivers. Metalumen offers dimming drivers as a standard on our entire LED product offering at 0-10V. Dimming is 10%-100% range. Power factor is > 90% with a Class 2 rating.
Approvals: UL listed. Plenum - CCEA approved.
Environment: Suitable for dry locations.

| RP4D WEIGHTS for 4' ALONE SECTIONS | Meta Blanc w/ Symmetric Reflector | | Meta Blanc w/ Asymmetric Reflector | |
|--|-----------------------------------|--------------------|------------------------------------|--|
| | Flush | 5.30 kg [11.7 lbs] | 5.27 kg [11.6 lbs] | |
| | 3" Regressed | 6.55 kg [14.4 lbs] | 6.52 kg [14.3 lbs] | |

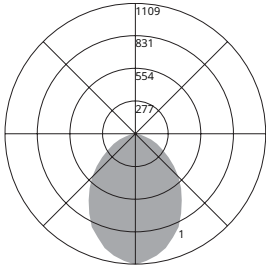
WARRANTY

Metalumen will warrant defective luminaires for 5 years from date of purchase. Warranty is valid if luminaire is installed and used according to specification. If defective, Metalumen will send replacement boards or drivers at no cost along with detailed replacement instructions and instructions on how to return defective components to Metalumen.

PHOTOMETRIC DATA - 3500K, 80 CRI

Optics: **Meta Blanc**
 IES File: **RP4D-1L35K-4-MB-L3**
 Lumens: **596/ft** Wattage: **6.1/ft**
 Efficacy: **99**

PHOTOMETRIC CURVE
 100% Down



ZONAL LUMEN SUMMARY

| Zone | Lumens | %Fixt |
|---------|--------|-------|
| 0-20 | 385 | 16.2 |
| 0-30 | 794 | 33.3 |
| 0-40 | 1250 | 52.4 |
| 0-60 | 2021 | 84.8 |
| 0-80 | 2358 | 98.9 |
| 0-90 | 2385 | 100 |
| 10-90 | 2282 | 95.7 |
| 20-40 | 865 | 36.3 |
| 20-50 | 1293 | 54.2 |
| 40-70 | 998 | 41.8 |
| 60-80 | 336 | 14.1 |
| 70-80 | 110 | 4.6 |
| 80-90 | 27 | 1.1 |
| 90-110 | 0 | 0 |
| 90-120 | 0 | 0 |
| 90-130 | 0 | 0 |
| 90-150 | 0 | 0 |
| 90-180 | 0 | 0 |
| 110-180 | 0 | 0 |
| 0-180 | 2385 | 100 |

COEFFICIENTS OF UTILIZATION

Zonal Cavity Method | Effective Floor Cavity Reflectance = .20

| RC | 80 | | | | 70 | | | | 50 | | | |
|-----|-----|-----|-----|-----|-----|-----|-----|-----|-----|-----|-----|-----|
| | RW | 70 | 50 | 30 | 10 | 70 | 50 | 30 | 10 | 50 | 30 | 10 |
| RCR | 0 | 119 | 119 | 119 | 119 | 116 | 116 | 116 | 116 | 111 | 111 | 111 |
| 1 | 110 | 106 | 102 | 98 | 107 | 103 | 100 | 97 | 99 | 96 | 94 | |
| 2 | 101 | 93 | 87 | 82 | 98 | 91 | 86 | 81 | 88 | 83 | 79 | |
| 3 | 93 | 83 | 75 | 69 | 90 | 81 | 74 | 69 | 78 | 72 | 67 | |
| 4 | 85 | 74 | 66 | 60 | 83 | 73 | 65 | 59 | 70 | 64 | 58 | |
| 5 | 79 | 67 | 58 | 52 | 77 | 66 | 58 | 52 | 63 | 56 | 51 | |
| 6 | 73 | 60 | 52 | 46 | 71 | 59 | 51 | 46 | 58 | 51 | 45 | |
| 7 | 68 | 55 | 47 | 41 | 66 | 54 | 46 | 41 | 53 | 46 | 40 | |
| 8 | 63 | 50 | 42 | 37 | 62 | 50 | 42 | 37 | 49 | 41 | 36 | |
| 9 | 59 | 47 | 39 | 33 | 58 | 46 | 38 | 33 | 45 | 38 | 33 | |
| 10 | 56 | 43 | 35 | 30 | 55 | 43 | 35 | 30 | 42 | 35 | 30 | |

LUMINANCE DATA (CD/M²)

| Vertical Angle | Horizontal Angle | | |
|----------------|------------------|------|------|
| | 0 | 45 | 90 |
| 45 | 3031 | 3697 | 6600 |
| 55 | 2032 | 2640 | 5558 |
| 65 | 1243 | 1663 | 4329 |
| 75 | 573 | 817 | 2902 |
| 85 | 129 | 191 | 1182 |

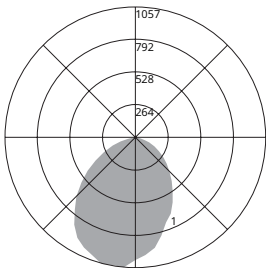
CANDELA DISTRIBUTION

| Vertical Angle | Horizontal Angle | | | | |
|----------------|------------------|------|------|------|------|
| | 0 | 22.5 | 45 | 67.5 | 90 |
| 0 | 1109 | 1109 | 1109 | 1109 | 1109 |
| 5 | 1080 | 1064 | 1081 | 1077 | 1104 |
| 10 | 1048 | 1047 | 1046 | 1064 | 1054 |
| 15 | 1001 | 996 | 1008 | 1000 | 1018 |
| 20 | 933 | 950 | 951 | 962 | 958 |
| 25 | 871 | 875 | 893 | 899 | 910 |
| 30 | 778 | 798 | 812 | 829 | 843 |
| 35 | 689 | 708 | 732 | 753 | 763 |
| 40 | 604 | 621 | 642 | 669 | 686 |
| 45 | 520 | 529 | 556 | 584 | 595 |
| 50 | 427 | 438 | 464 | 492 | 505 |
| 55 | 345 | 358 | 384 | 407 | 420 |
| 60 | 268 | 280 | 299 | 325 | 338 |
| 65 | 202 | 206 | 226 | 247 | 254 |
| 70 | 141 | 145 | 159 | 174 | 181 |
| 75 | 87 | 92 | 100 | 111 | 116 |
| 80 | 46 | 49 | 54 | 58 | 61 |
| 85 | 17 | 19 | 20 | 22 | 24 |
| 90 | 4 | 4 | 4 | 5 | 6 |

Optics: **Meta Blanc w/ Asymmetric Reflector**

IES File: **RP4D-1L35K-4-MBA-L3**
 Lumens: **583/ft** Wattage: **6.1/ft**
 Efficacy: **96**

PHOTOMETRIC CURVE
 100% Down



ZONAL LUMEN SUMMARY

| Zone | Lumens | %Fixt |
|---------|--------|-------|
| 0-20 | 357 | 15.30 |
| 0-30 | 742 | 31.8 |
| 0-40 | 1183 | 50.7 |
| 0-60 | 1955 | 84 |
| 0-80 | 2306 | 99 |
| 0-90 | 2334 | 100 |
| 10-90 | 2240 | 96 |
| 20-40 | 826 | 35 |
| 20-50 | 1250 | 54 |
| 40-70 | 1006 | 43 |
| 60-80 | 351 | 15 |
| 70-80 | 116 | 5 |
| 80-90 | 28 | 1 |
| 90-110 | 1 | 0 |
| 90-120 | 1 | 0 |
| 90-130 | 1 | 0 |
| 90-150 | 1 | 0 |
| 90-180 | 1 | 0 |
| 110-180 | 0 | 0 |
| 0-180 | 2335 | 100 |

COEFFICIENTS OF UTILIZATION

Zonal Cavity Method | Effective Floor Cavity Reflectance = .20

| RC | 80 | | | | 70 | | | | 50 | | | |
|-----|-----|-----|-----|-----|-----|-----|-----|-----|-----|-----|-----|-----|
| | RW | 70 | 50 | 30 | 10 | 70 | 50 | 30 | 10 | 50 | 30 | 10 |
| RCR | 0 | 119 | 119 | 119 | 119 | 116 | 116 | 116 | 116 | 111 | 111 | 111 |
| 1 | 110 | 105 | 101 | 98 | 107 | 103 | 99 | 96 | 99 | 96 | 93 | |
| 2 | 100 | 93 | 86 | 81 | 98 | 91 | 85 | 80 | 87 | 82 | 78 | |
| 3 | 92 | 82 | 74 | 68 | 90 | 81 | 73 | 68 | 78 | 72 | 66 | |
| 4 | 85 | 73 | 65 | 59 | 82 | 72 | 64 | 58 | 69 | 63 | 57 | |
| 5 | 78 | 66 | 57 | 51 | 76 | 65 | 57 | 51 | 63 | 56 | 50 | |
| 6 | 72 | 60 | 51 | 45 | 70 | 59 | 50 | 45 | 57 | 50 | 44 | |
| 7 | 67 | 54 | 46 | 40 | 66 | 53 | 45 | 40 | 52 | 45 | 39 | |
| 8 | 63 | 50 | 41 | 36 | 61 | 49 | 41 | 36 | 48 | 41 | 35 | |
| 9 | 59 | 46 | 38 | 32 | 57 | 45 | 37 | 32 | 44 | 37 | 32 | |
| 10 | 55 | 42 | 35 | 29 | 54 | 42 | 34 | 29 | 41 | 34 | 29 | |

LUMINANCE DATA (CD/M²)

| Vertical Angle | Horizontal Angle | | |
|----------------|------------------|------|------|
| | 0 | 45 | 90 |
| 45 | 2285 | 2902 | 6249 |
| 55 | 1623 | 2084 | 5339 |
| 65 | 1056 | 1383 | 4212 |
| 75 | 531 | 705 | 2871 |
| 85 | 152 | 185 | 1202 |

CANDELA DISTRIBUTION

| Vertical Angle | Horizontal Angle | | | | |
|----------------|------------------|------|-----|------|-----|
| | 0 | 22.5 | 45 | 67.5 | 90 |
| 0 | 991 | 991 | 991 | 991 | 991 |
| 5 | 954 | 927 | 952 | 974 | 999 |
| 10 | 905 | 903 | 920 | 936 | 966 |
| 15 | 820 | 818 | 851 | 895 | 933 |
| 20 | 730 | 758 | 796 | 843 | 893 |
| 25 | 678 | 684 | 710 | 767 | 844 |
| 30 | 605 | 618 | 660 | 707 | 785 |
| 35 | 529 | 539 | 580 | 644 | 718 |
| 40 | 460 | 468 | 507 | 571 | 648 |
| 45 | 392 | 403 | 437 | 498 | 563 |
| 50 | 331 | 346 | 376 | 416 | 482 |
| 55 | 275 | 283 | 303 | 353 | 403 |
| 60 | 220 | 226 | 246 | 278 | 322 |
| 65 | 172 | 178 | 188 | 215 | 247 |
| 70 | 119 | 123 | 133 | 155 | 177 |
| 75 | 80 | 83 | 86 | 101 | 115 |
| 80 | 46 | 47 | 49 | 54 | 60 |
| 85 | 20 | 19 | 19 | 22 | 24 |
| 90 | 3 | 3 | 2 | 3 | 3 |

Photometric performance is measured and scaled in accordance with IESNA LM-79.