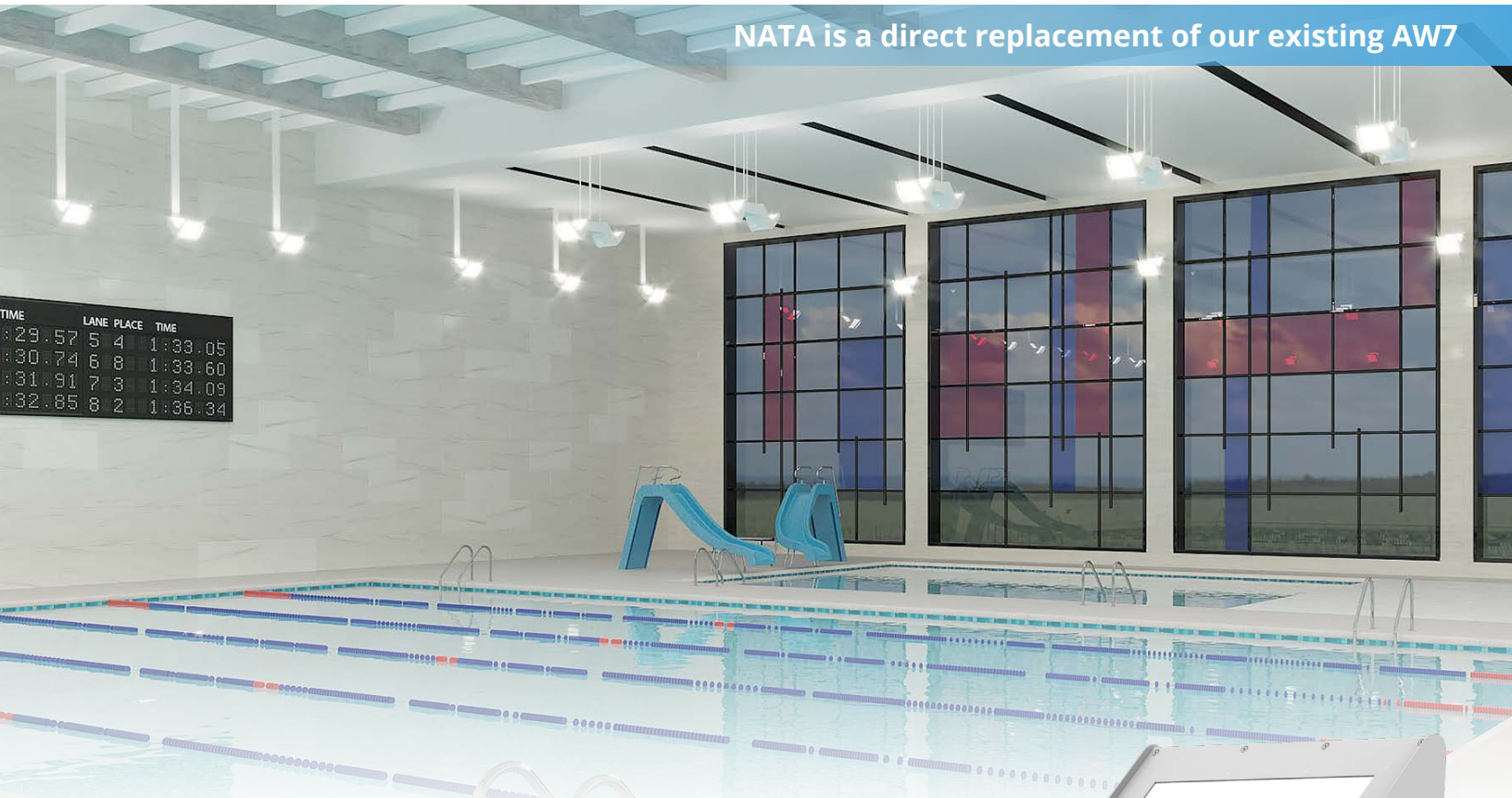


NATA is a direct replacement of our existing AW7



The **NATA** provides general lighting while seamlessly blending within the designed natatorium space.

Designing for such a large, reflective space can be a challenge for designers. Factors to be considered include aesthetics, roof structure, level of illumination, height of the luminaires, maintenance, code requirements and the amount of direct and reflected glare from all contributing light sources including daylight.

#### NATA OFFERS THE FOLLOWING INDUSTRY LEADING FEATURES:

- up to 122 LPW
- 80+ CRI is standard with option of 90CRI
- offered in both indirect and direct/indirect distribution



Indoor pools are typically humid environments that can also expose fixtures to chemicals that can affect the integrity and performance of the luminaires. To protect the fixtures, Metalumen seals the fixtures with high end silicon gaskets which offers superior weather resistance. Being anti-corrosion, hard wearing, durable, airtight, watertight and aging resistant, the Nata offers high performance for a long period of time. The end user benefits from Nata's low maintenance requirements and low cost of ownership.



## ORDERING LOGIC

Sample part number: **NATAI-18L40K-LC-NW-L21-1-R**

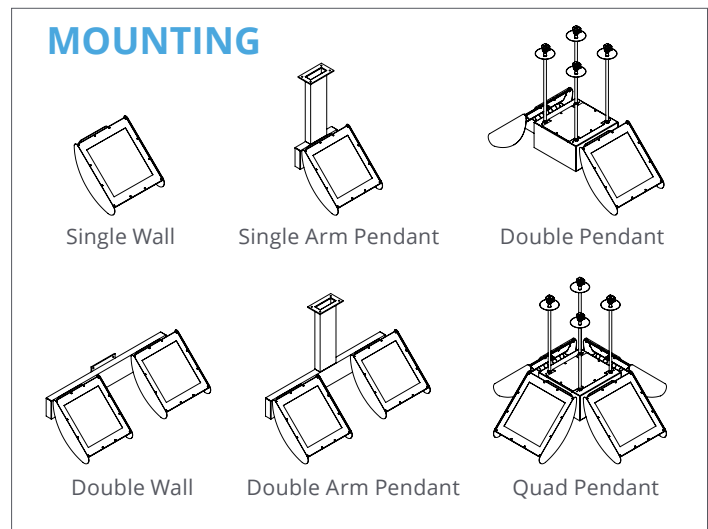
Series/Model	NATAI	NATADI	
<b>Color Temp</b>	18L30K 18L35K 18L40K	22L30K 22L35K 22L40K	3000K 3500K 4000K
<b>Optics Up</b>	NC	NC	Nata Clear Lens
<b>Optics Down</b>		M	Meta Ice
<b>Finish</b>	NW NC	NW NC	Natatorium White Natatorium Custom Finish
<b>Light Level/Driver (Measured at 4000K)</b>	L1 L2*	L1 L2	See Performance at 4000K below
<b>Circuitry</b>	1	1 UD	1 Circuit Up / Down Switching
<b>Voltage</b>	1 2 3 4	1 2 3 4	120V 277V 347V UNV (120 - 277V)
<b>Controls</b>			No controls available
<b>Driver Location</b>	I R	I R	Integral Remote
<b>Options</b>	90 RK (empty)	90 RK (empty)	90 CRI, High R9 Retrofit Kit** None (Leave space empty)

\* NATAI Light Level L2 is remote only. \*\* Fixture includes mounting bracket to adapt NATA to existing AW7 arms. See more details on the NATA spec sheets.

## BENEFITS

- Exceptional durability
- 2 wall and 4 pendant mounting options
- 3000K, 3500K, 4000K
- L70 at 54,000 hours
- 5 year limited warranty
- No adjustable mounting brackets to avoid incorrect installment on site

## MOUNTING



## PERFORMANCE at 4000K

Light Level	NATAI			NATADI		
	Lumens Delivered	Wattage	Efficacy (LPW)	Lumens Delivered	Wattage	Efficacy (LPW)
L1	15506	128.6	121	15611	128	122
L2	26265	242	109	26843	236	114



NATAI  
Efficacy: 121 LPW  
Lumens: 15506  
Wattage: 129  
File: NATAI-18L40K-LC-L1



NATADI  
Efficacy: 122 LPW  
Lumens: 15611  
Wattage: 128  
File: NATADI-22L40K-LCM-L1

For more information about our new products, please visit [www.metalumen.com](http://www.metalumen.com)

Metalumen reserves the right to change specifications for product improvement without notice.

20190130

**Metalumen**  
Ideas brought to light