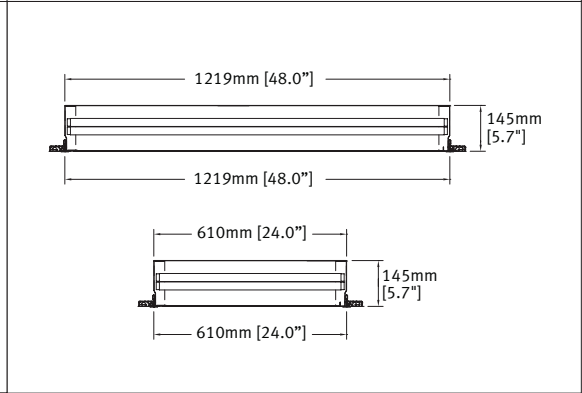


Paciente BLGE

Recessed . 2x4



PROJECT:
TYPE:
NOTES:



BLGE		2/4	W					
Model	Lamp	Size	Finish	Ballast	Circuitry	Mounting	Voltage	Options

Lamps	Size	Finish	Ballast
2CF40	2/4 2 x 4'	W White	E Electronic Instant Start (T8/CF)
3CF40			R Electronic Rapid Start (T5/T5H0)
2CF50			D1 0-10V Dimming
3CF50			D2 DALI
2T5			<i>For other, contact factory</i>
4T5			
2T5H0			
4T5H0			
2T8			
4T8			

Circuitry	Mounting	Voltage	Options
1 Single switchleg	RT Recessed T-Bar	120	N None
2 Two switchlegs (<i>left/right - 2 lamps or in/out - 3-4 lamps</i>)	RD Recessed Drywall	277	LV* LV controller
B Battery Pack (<i>120 / 277V only</i>) (<i>Connected to ambient lamp</i>)		347	PSLV* Pillow switch with LV controller
		<i>For other voltage, contact factory</i>	NL LED Night Light / Chart Light
			F Fuse
			AM Anti-microbial White
			<i>* Controls 120 / 277V only</i>

APPROVALS Signature _____ Date _____

FILE NAME: BLGE_2x4_SPEC_SHEET

May.30.2013

570 Southgate Drive, Guelph, Ontario N1G 4P6
Mailing Address: P.O. Box 1779 Guelph, Ontario, N1H 6Z9

1.800.621.6785 | T 519.822.4381 | F 519.822.4589
www.metalumen.com

Metalumen

SPECIFICATIONS

Due to the continuous improvement policy at Metalumen, we reserve the right to change our specifications without notice.

- Intended Use / Description** The BLGE series of luminaires has been specifically designed to meet the requirements for emergency and triage, common, hallways and patient care areas, therapy and pharmacy areas. Optical system components have been specifically designed to provide powerful, glare-free illumination for both healthcare professionals and patients. Its architectural design brings a relaxed, comfortable feel to any patient room environment.
- Housing** The luminaire body is constructed from 20 gauge cold rolled steel.
- Optical System** The reflector has been computer modeled and precision die formed from cold rolled steel finished in a 90% reflective high gloss electrostatically applied white powder coat finish. Patient and healthcare professionals are protected from direct lamp brightness by the incorporation of low brightness MetalICE extruded acrylic linear lenses. Clear acrylic lenses are used in conjunction with the MetalICE lens to completely enclose the lamps MetalICE is a smooth continuum optical system with an 85% transmission rate that creates smooth subdued light with no source imagery.
- Light Distribution** Ambient
- Finish** The luminaire is finished in a high gloss electrostatically applied white powder coat finish having a reflectance value of 90%.
- Weight** 2 x 2' = 9.8 kg [21.6 lb]
2 x 4' = 17.4 kg [38.4 lb]
- Mounting** The BLGE is available for recessed T-bar or recessed drywall mounting.
- Electrical** Luminaires are available in 120, 277 and 347 volts.
- Ballast** Fluorescent electronic ballasts, high power factor (<10% THD) rapid start.
- Lamps** The BLGE series of luminaires are available with CF (2x2 only), T5, T5HO, T8 fluorescent lamps and LED.
- Approvals** Certified to NRTL and IES testing standards. All components cULus listed. RoHS compliant.
- Environment** Suitable for dry locations.

WARRANTY

Metalumen will warrant a one year parts and labour warranty. Warranty is valid if luminaire is installed and used according to specification. The Ballast will carry a standard 5 year warranty by the manufacturer.

If defective, Metalumen will send replacement ballasts or drivers at no cost along with detailed replacement instructions and instructions on how to return defective components to Metalumen.

FEATURES



MEDILUMEN // Healthcare Lighting

Every product in our broad line of healthcare luminaires has been strategically engineered to meet modern healthcare demands while addressing patient needs and aesthetic requirements.

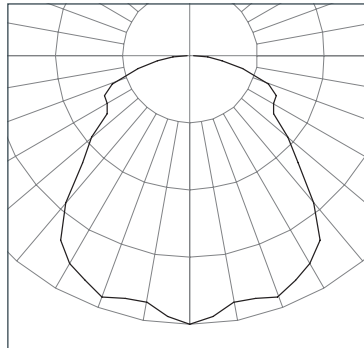


Meta Ice is a smooth Continuum Optical System with a 91% transmission rate that creates smooth subdued lighting with no source imagery. Metalce is a premium lensing optic unique to Metalumen but coupled with a high performance side kicking specular reflector to maximize the lumens from the source creating an unparalleled lumen delivery.

PHOTOMETRIC DATA - 2x2 - CF - 2 lamps

Report No.: BLGE-2CF-2
 Total Lumens: 6300
 Input Watts: 88
 Efficiency: 81%
 Efficacy: 58 lms/W
 Power Factor: .975

PHOTOMETRIC CURVE



CANDLE DISTRIBUTION

	0.0	22.5	45.0	67.5	90.0
0	2245.62	2245.62	2245.62	2245.62	2245.62
5	2185.11	2395.96	2403.95	2431.76	2434.83
10	2356.98	2528.07	2529.04	2527.45	2489.18
15	2510.01	2440.73	2589.53	2665.40	2669.55
20	2326.51	2349.72	2474.19	2513.84	2460.71
25	2335.21	2302.74	2331.08	2292.20	2300.92
30	2064.92	2146.93	2185.65	2103.50	2126.39
35	1858.80	1965.18	1919.39	1931.85	1882.19
40	1781.80	1768.58	1732.53	1816.63	1918.74
45	1525.02	1553.44	1623.70	1786.71	1907.66
50	1314.96	1319.07	1437.01	1742.66	1872.11
55	1095.67	1120.13	1261.13	1384.42	1372.07
60	700.43	758.18	811.26	842.25	924.25
65	447.97	449.27	443.45	444.60	403.01
70	296.55	290.52	271.06	254.30	251.77
75	197.32	190.00	160.66	135.74	130.80
80	127.61	89.88	73.94	65.35	69.14
85	30.53	24.78	26.21	18.58	28.98
90	5.34	8.28	7.64	8.76	7.14

COEFFICIENTS OF UTILIZATION

Zonal Cavity Method
 Effective Floor Cavity Reflectance = .20

RC	80				70				50			
	RW	70	50	30	10	70	50	30	10	50	30	10
RW												
0	75	75	75	75	73	73	73	73	70	70	70	70
1	69	67	64	62	68	65	63	61	63	61	59	59
2	64	59	55	52	62	58	55	52	56	53	50	50
3	59	53	48	44	57	52	47	44	50	46	43	43
4	54	47	42	38	52	46	41	38	45	40	37	37
5	50	42	37	33	48	41	36	33	40	36	32	32
6	46	38	33	29	45	37	32	29	36	32	29	29
7	43	35	29	26	42	34	29	26	33	29	25	25
8	40	32	26	23	39	31	26	23	30	26	23	23
9	37	29	24	21	36	29	24	21	28	24	20	20
10	35	27	22	19	34	26	22	19	26	22	19	19

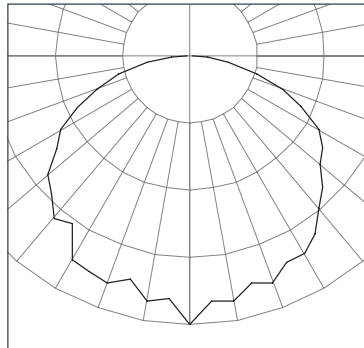
LUMINANCE DATA (CD/M²)

Angle In Degrees	Average 0-Deg	Average 45-Deg	Average 90-Deg
45	2465	2315	2765
55	2071	2019	2244
65	1059	839	784
75	648	385	326
85	173	90	105

PHOTOMETRIC DATA - 2x2 - CF40 - 2 lamps

Report No.: BLGE-2CF40-2
 Total Lumens: 6300
 Input Watts: 88
 Efficiency: 72%
 Efficacy: 51 lms/W
 Power Factor: .975

PHOTOMETRIC CURVE



CANDLE DISTRIBUTION

	0.0	22.5	45.0	67.5	90.0
0	1529.15	1529.15	1529.15	1529.15	1529.15
5	1405.82	1379.99	1385.82	1370.63	1400.83
10	1416.79	1416.14	1353.07	1417.79	1337.24
15	1340.15	1364.13	1363.24	1368.06	1374.52
20	1375.76	1316.58	1286.58	1243.28	1280.01
25	1298.61	1271.87	1252.36	1219.89	1241.84
30	1301.84	1257.44	1203.19	1167.13	1165.43
35	1236.82	1217.06	1148.01	1085.91	1064.72
40	1135.29	1158.27	1064.95	1011.82	986.08
45	1066.09	1065.39	1000.85	910.03	906.80
50	960.95	1004.92	928.76	846.29	809.34
55	918.54	881.51	814.18	769.17	724.70
60	841.40	776.21	738.47	679.91	635.94
65	689.96	690.02	627.44	593.55	556.41
70	561.59	538.97	494.36	496.57	487.42
75	393.61	388.34	357.47	390.44	428.99
80	223.97	249.84	221.10	260.33	331.88
85	102.52	101.27	94.50	118.88	175.68
90	15.65	15.67	18.15	21.28	24.08

COEFFICIENTS OF UTILIZATION

Zonal Cavity Method
 Effective Floor Cavity Reflectance = .20

RC	80				70				50			
	RW	70	50	30	10	70	50	30	10	50	30	10
RW												
0	85	85	85	85	83	83	83	83	80	80	80	80
1	77	73	70	67	75	72	69	66	69	66	64	64
2	70	63	58	54	68	62	57	53	59	55	52	52
3	63	55	49	44	61	54	48	44	52	47	43	43
4	58	49	42	37	56	48	41	37	46	40	36	36
5	53	43	36	32	51	42	36	31	41	35	31	31
6	49	39	32	27	47	38	32	27	37	31	27	27
7	45	35	29	24	44	34	28	24	33	28	24	24
8	42	32	26	21	41	31	25	21	30	25	21	21
9	39	29	23	19	38	29	23	19	28	23	19	19
10	37	27	21	17	36	27	21	17	26	21	17	17

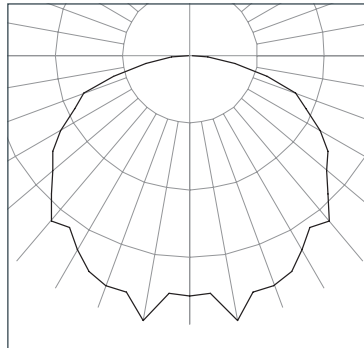
LUMINANCE DATA (CD/M²)

Angle In Degrees	Average 0-Deg	Average 45-Deg	Average 90-Deg
45	3159	2734	2668
55	3100	2471	2423
65	2803	2218	2232
75	2088	1570	2236
85	819	571	1366

PHOTOMETRIC DATA - 2x2 - T5HO - 2 lamps

Report No.: BLGE-2T5HO-2
 Total Lumens: 4000
 Input Watts: 52
 Efficiency: 76%
 Efficacy: 58 lms/W
 Power Factor: .975

PHOTOMETRIC CURVE



CANDLE DISTRIBUTION

	0.0	22.5	45.0	67.5	90.0
0	896.06	896.06	896.06	896.06	896.06
5	892.56	909.65	928.73	888.76	885.17
10	1004.07	945.48	910.17	893.11	883.56
15	913.75	935.22	893.86	890.89	895.21
20	916.09	872.38	871.72	864.96	863.89
25	892.44	870.76	862.36	829.49	796.65
30	837.81	832.18	816.25	784.25	744.67
35	782.83	804.77	766.25	696.26	700.17
40	805.81	757.30	736.18	680.76	640.91
45	729.19	717.93	691.51	620.59	582.62
50	667.81	669.28	611.36	584.39	535.22
55	628.46	616.67	572.34	519.14	475.78
60	560.74	556.98	498.34	455.16	434.76
65	476.83	467.64	432.53	395.63	394.81
70	420.04	398.89	341.19	338.94	335.46
75	295.62	285.65	251.88	262.02	287.40
80	168.15	161.31	161.36	180.60	228.14
85	67.14	64.86	67.31	78.21	110.99
90	6.44	10.80	10.34	11.37	17.73

COEFFICIENTS OF UTILIZATION

Zonal Cavity Method
 Effective Floor Cavity Reflectance = .20

RC RW	80				70				50			
	70	50	30	10	70	50	30	10	50	30	10	
0	90	90	90	90	88	88	88	88	84	84	84	
1	82	78	74	71	80	76	73	70	73	70	67	
2	74	67	61	57	72	65	60	56	63	58	55	
3	67	58	52	46	65	57	51	46	55	49	45	
4	61	51	44	39	59	50	44	39	48	43	38	
5	56	46	38	33	54	45	38	33	43	37	33	
6	51	41	34	29	50	40	33	29	39	33	28	
7	48	37	30	25	46	36	30	25	35	29	25	
8	44	34	27	22	43	33	27	22	32	26	22	
9	41	31	24	20	40	30	24	20	29	24	20	
10	39	28	22	18	38	28	22	18	27	22	18	

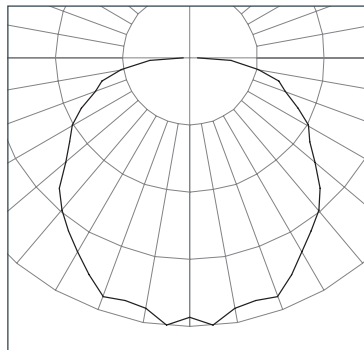
LUMINANCE DATA (CD/M²)

Angle In Degrees	Average 0-Deg	Average 45-Deg	Average 90-Deg
45	2161	1889	1714
55	2121	1737	1591
65	1937	1529	1584
75	1568	1106	1498
85	536	407	863

PHOTOMETRIC DATA - 2x4 - T5HO - 2 lamps

Report No.: BLGE-2T5HO-4
 Total Lumens: 10000
 Input Watts: 118
 Efficiency: 78%
 Efficacy: 66 lms/W
 Power Factor: .975

PHOTOMETRIC CURVE



CANDLE DISTRIBUTION

	0.0	22.5	45.0	67.5	90.0
0	1529.15	1529.15	1529.15	1529.15	1529.15
5	1405.82	1379.99	1385.82	1370.63	1400.83
10	1416.79	1416.14	1353.07	1417.79	1337.24
15	1340.15	1364.13	1363.24	1368.06	1374.52
20	1375.76	1316.58	1286.58	1243.28	1280.01
25	1298.61	1271.87	1252.36	1219.89	1241.84
30	1301.84	1257.44	1203.19	1167.13	1165.43
35	1236.82	1217.06	1148.01	1085.91	1064.72
40	1135.29	1158.27	1064.95	1011.82	986.08
45	1066.09	1065.39	1000.85	910.03	906.80
50	960.95	1004.92	928.76	846.29	809.34
55	918.54	881.51	814.18	769.17	724.70
60	841.40	776.21	738.47	679.91	635.94
65	689.96	690.02	627.44	593.55	556.41
70	561.59	538.97	494.36	496.57	487.42
75	393.61	388.34	357.47	390.44	428.99
80	223.97	249.84	221.10	260.33	331.88
85	102.52	101.27	94.50	118.88	175.68
90	15.65	15.67	18.15	21.28	24.08

COEFFICIENTS OF UTILIZATION

Zonal Cavity Method
 Effective Floor Cavity Reflectance = .20

RC RW	80				70				50			
	70	50	30	10	70	50	30	10	50	30	10	
0	85	85	85	85	83	83	83	83	80	80	80	
1	77	73	70	67	75	72	69	66	69	66	64	
2	70	63	58	54	68	62	57	53	59	55	52	
3	63	55	49	44	61	54	48	44	52	47	43	
4	58	49	42	37	56	48	41	37	46	40	36	
5	53	43	36	32	51	42	36	31	41	35	31	
6	49	39	32	27	47	38	32	27	37	31	27	
7	45	35	29	24	44	34	28	24	33	28	24	
8	42	32	26	21	41	31	25	21	30	25	21	
9	39	29	23	19	38	29	23	19	28	23	19	
10	37	27	21	17	36	27	21	17	26	21	17	

LUMINANCE DATA (CD/M²)

Angle In Degrees	Average 0-Deg	Average 45-Deg	Average 90-Deg
45	3159	2734	2668
55	3100	2471	2423
65	2803	2218	2232
75	2088	1570	2236
85	819	571	1366