

Paciente BLGF with door

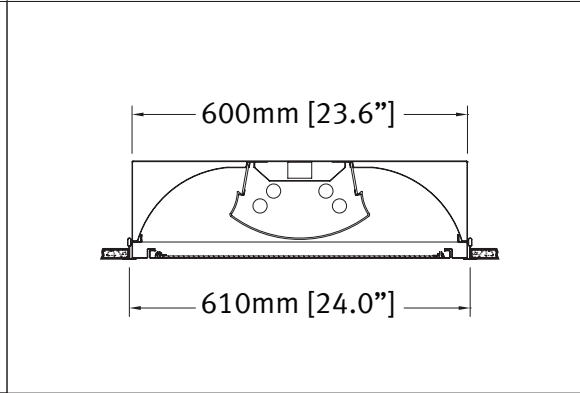
Recessed . 2x2



PROJECT:

TYPE:

NOTES:



| | | | | | | | | |
|-------------|------|------------|----------|---------|-----------|----------|---------|---------|
| BLGF | | 2/2 | W | | | | | |
| Model | Lamp | Size | Finish | Ballast | Circuitry | Mounting | Voltage | Options |

| Lamps | Size | Finish | Ballast |
|--------------|--------------------|----------------|---|
| 2CF40 | 2/2 2' x 2' | W White | E Electronic Instant Start (T8/CF) |
| 3CF40 | | | R Electronic Rapid Start (T5/T5H0) |
| 2CF50 | | | D1 0-10V Dimming |
| 3CF50 | | | D2 DALI |
| 2T5 | | | <i>For other, contact factory</i> |
| 4T5 | | | |
| 2T5H0 | | | |
| 4T5H0 | | | |
| 2T8 | | | |
| 4T8 | | | |

| Circuitry | Mounting | Voltage | Options |
|---|----------------------------|---|---|
| 1 Single switchleg | RT Recessed T-Bar | 120 | N None |
| 2 Two switchlegs (<i>left/right - 2 lamps or in/out - 3-4 lamps</i>) | RD Recessed Drywall | 277 | LV* LV controller |
| B Battery Pack (<i>120 / 277V only</i>) (<i>Connected to ambient lamp</i>) | | 347 | PSLV* Pillow switch with LV controller |
| | | <i>For other voltage, contact factory</i> | NL LED Night Light / Chart Light |
| | | | F Fuse |
| | | | AM Anti-microbial White |
| | | | <i>* Controls 120 / 277V only</i> |

APPROVALS Signature _____ Date _____

FILE NAME: BLGF_2x2_SPEC_SHEET

May.30.2013

570 Southgate Drive, Guelph, Ontario N1G 4P6
Mailing Address: P.O. Box 1779 Guelph, Ontario, N1H 6Z9

1.800.621.6785 | T 519.822.4381 | F 519.822.4589
www.metalumen.com



SPECIFICATIONS

Due to the continuous improvement policy at Metalumen, we reserve the right to change our specifications without notice.

- Intended Use / Description** The BLGF series of luminaires has been specifically designed to meet the requirements for patient room, intensive care, trauma center and examination lighting applications. Optical system components have been specifically designed to provide powerful, glare-free illumination for both healthcare professionals and patients. Its architectural design brings a relaxed, comfortable feel to any patient room environment.
- Housing** The luminaire body is constructed from 20 gauge cold rolled steel. The BLGF is equipped with a tight fitting door with a clear 0.125" high impact acrylic UV stabilized lens.
- Optical System** The reflector has been computer modeled and precision die formed from cold rolled steel finished in a 90% reflective high gloss electrostatically applied white powder coat finish. Patient and healthcare professionals are protected from direct lamp brightness by the incorporation of low brightness MetalICE extruded acrylic linear lenses. Clear acrylic lenses are used in conjunction with the MetalICE lens to completely enclose the lamps. MetalICE is a smooth continuum optical system with a 85% transmission rate that creates smooth subdued light with no source imagery.
- Light Distribution** Ambient
- Finish** The luminaire is finished in a high gloss electrostatically applied white powder coat finish having a reflectance value of 90%.
- Weight** 2' x 2' = 11.4 kg [25.1 lb]
2' x 4' = 20.7 kg [45.6 lb]
- Mounting** The BLGF is available for recessed T-bar or recessed drywall mounting.
- Electrical** Luminaires are available in 120, 277 and 347 volts.
- Ballast** Fluorescent electronic ballasts, high power factor (<10% THD) rapid start.
- Lamps** The BLGF series of luminaires are available with CF (2x2 only), T5, T5HO, T8 fluorescent lamps and LED.
- Approvals** Certified to NRTL and IES testing standards. All components cULus listed. RoHS compliant.
- Environment** Suitable for dry locations.

WARRANTY

Metalumen will warrant a one year parts and labour warranty. Warranty is valid if luminaire is installed and used according to specification. The Ballast will carry a standard 5 year warranty by the manufacturer.

If defective, Metalumen will send replacement ballasts or drivers at no cost along with detailed replacement instructions and instructions on how to return defective components to Metalumen.

FEATURES



MEDILUMEN // Healthcare Lighting

Every product in our broad line of healthcare luminaires has been strategically engineered to meet modern healthcare demands while addressing patient needs and aesthetic requirements.



Meta Ice is a smooth Continuum Optical System with a 91% transmission rate that creates smooth subdued lighting with no source imagery. Metalce is a premium lensing optic unique to Metalumen but coupled with a high performance side kicking specular reflector to maximize the lumens from the source creating an unparalleled lumen delivery.

Paciente BLGF with door Recessed . 2x2

PHOTOMETRIC DATA - ALL

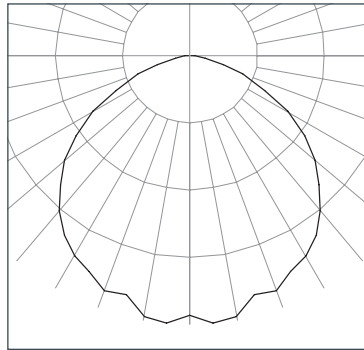
Report No.: BLGF-CF-2-R ALL
 Total Lumens: 8700
 Input Watts: 132
 Efficiency: 66%
 Efficacy: 44 lms/W
 Power Factor: .975

COEFFICIENTS OF UTILIZATION

Zonal Cavity Method
 Effective Floor Cavity Reflectance = .20

| RC | 80 | | | | 70 | | | | 50 | | | |
|----|----|----|----|----|----|----|----|----|----|----|----|----|
| | RW | 70 | 50 | 30 | 10 | 70 | 50 | 30 | 10 | 50 | 30 | 10 |
| RW | | | | | | | | | | | | |
| 0 | 79 | 79 | 79 | 79 | 77 | 77 | 77 | 77 | 74 | 74 | 74 | 74 |
| 1 | 73 | 70 | 67 | 65 | 71 | 68 | 66 | 64 | 65 | 63 | 62 | 62 |
| 2 | 66 | 61 | 57 | 53 | 65 | 60 | 56 | 53 | 58 | 54 | 51 | 51 |
| 3 | 61 | 54 | 49 | 45 | 59 | 53 | 48 | 44 | 51 | 47 | 43 | 43 |
| 4 | 56 | 48 | 42 | 38 | 54 | 47 | 42 | 38 | 45 | 41 | 37 | 37 |
| 5 | 51 | 43 | 37 | 33 | 50 | 42 | 37 | 33 | 41 | 36 | 32 | 32 |
| 6 | 47 | 39 | 33 | 29 | 46 | 38 | 33 | 29 | 37 | 32 | 28 | 28 |
| 7 | 44 | 35 | 29 | 25 | 43 | 35 | 29 | 25 | 34 | 29 | 25 | 25 |
| 8 | 41 | 32 | 27 | 23 | 40 | 32 | 26 | 23 | 31 | 26 | 22 | 22 |
| 9 | 38 | 29 | 24 | 20 | 37 | 29 | 24 | 20 | 28 | 24 | 20 | 20 |
| 10 | 36 | 27 | 22 | 19 | 35 | 27 | 22 | 18 | 26 | 22 | 18 | 18 |

PHOTOMETRIC CURVE



LUMINANCE DATA (CD/M²)

| Angle In Degrees | Average 0-Deg | Average 45-Deg | Average 90-Deg |
|------------------|---------------|----------------|----------------|
| 45 | 4592 | 3680 | 3257 |
| 55 | 3855 | 2885 | 2797 |
| 65 | 2760 | 2091 | 2130 |
| 75 | 1431 | 1069 | 1483 |
| 85 | 323 | 233 | 349 |

CANDLE DISTRIBUTION

| | 0.0 | 22.5 | 45.0 | 67.5 | 90.0 |
|----|---------|---------|---------|---------|---------|
| 0 | 2165.55 | 2165.55 | 2165.55 | 2165.55 | 2165.55 |
| 5 | 2234.70 | 2237.92 | 2230.57 | 2146.18 | 2046.69 |
| 10 | 2218.92 | 2204.27 | 2178.87 | 2148.10 | 2126.20 |
| 15 | 2186.64 | 2066.34 | 2097.80 | 2075.27 | 2067.35 |
| 20 | 2110.66 | 2086.07 | 2008.63 | 1948.97 | 1969.85 |
| 25 | 2073.32 | 1986.54 | 1899.01 | 1875.16 | 1851.20 |
| 30 | 1976.50 | 1923.78 | 1814.85 | 1786.44 | 1784.32 |
| 35 | 1864.51 | 1828.22 | 1741.59 | 1639.77 | 1548.33 |
| 40 | 1738.81 | 1688.06 | 1614.27 | 1418.23 | 1337.39 |
| 45 | 1606.92 | 1521.00 | 1413.70 | 1232.48 | 1149.35 |
| 50 | 1413.03 | 1358.57 | 1204.56 | 1061.59 | 1026.44 |
| 55 | 1198.17 | 1161.96 | 1010.64 | 919.08 | 878.78 |
| 60 | 978.80 | 935.54 | 839.59 | 774.38 | 725.27 |
| 65 | 723.66 | 682.44 | 639.66 | 610.66 | 566.36 |
| 70 | 485.07 | 465.79 | 437.23 | 449.95 | 439.06 |
| 75 | 294.19 | 284.03 | 269.64 | 310.88 | 310.84 |
| 80 | 131.42 | 127.67 | 138.56 | 158.64 | 163.43 |
| 85 | 46.07 | 41.84 | 44.50 | 49.07 | 51.19 |
| 90 | 12.90 | 11.88 | 13.86 | 13.76 | 13.48 |

PHOTOMETRIC DATA - AMBIENT

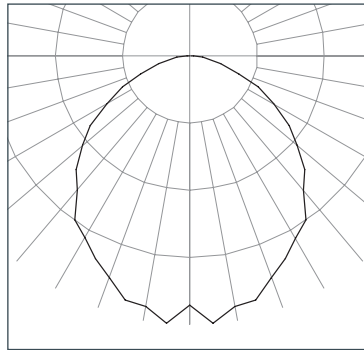
Report No.: BLGF-CF-2-R AMB
 Total Lumens: 5800
 Input Watts: 88
 Efficiency: 70%
 Efficacy: 46 lms/W
 Power Factor: .975

COEFFICIENTS OF UTILIZATION

Zonal Cavity Method
 Effective Floor Cavity Reflectance = .20

| RC | 80 | | | | 70 | | | | 50 | | | |
|----|----|----|----|----|----|----|----|----|----|----|----|----|
| | RW | 70 | 50 | 30 | 10 | 70 | 50 | 30 | 10 | 50 | 30 | 10 |
| RW | | | | | | | | | | | | |
| 0 | 84 | 84 | 84 | 84 | 82 | 82 | 82 | 82 | 78 | 78 | 78 | 78 |
| 1 | 77 | 74 | 71 | 68 | 75 | 72 | 70 | 67 | 69 | 67 | 65 | 65 |
| 2 | 70 | 65 | 60 | 56 | 68 | 63 | 59 | 55 | 61 | 57 | 54 | 54 |
| 3 | 64 | 57 | 51 | 47 | 62 | 56 | 51 | 46 | 54 | 49 | 46 | 46 |
| 4 | 59 | 50 | 44 | 40 | 57 | 49 | 44 | 39 | 48 | 43 | 39 | 39 |
| 5 | 54 | 45 | 39 | 34 | 52 | 44 | 38 | 34 | 43 | 38 | 34 | 34 |
| 6 | 50 | 41 | 34 | 30 | 48 | 40 | 34 | 30 | 39 | 33 | 29 | 29 |
| 7 | 46 | 37 | 31 | 26 | 45 | 36 | 30 | 26 | 35 | 30 | 26 | 26 |
| 8 | 43 | 33 | 28 | 23 | 42 | 33 | 27 | 23 | 32 | 27 | 23 | 23 |
| 9 | 40 | 31 | 25 | 21 | 39 | 30 | 25 | 21 | 30 | 24 | 21 | 21 |
| 10 | 38 | 28 | 23 | 19 | 37 | 28 | 23 | 19 | 27 | 22 | 19 | 19 |

PHOTOMETRIC CURVE



LUMINANCE DATA (CD/M²)

| Angle In Degrees | Average 0-Deg | Average 45-Deg | Average 90-Deg |
|------------------|---------------|----------------|----------------|
| 45 | 2988 | 2556 | 2602 |
| 55 | 3083 | 2134 | 2156 |
| 65 | 2296 | 1714 | 1503 |
| 75 | 725 | 765 | 759 |
| 85 | 186 | 125 | 134 |

CANDLE DISTRIBUTION

| | 0.0 | 22.5 | 45.0 | 67.5 | 90.0 |
|----|---------|---------|---------|---------|---------|
| 0 | 1428.58 | 1428.58 | 1428.58 | 1428.58 | 1428.58 |
| 5 | 1505.81 | 1534.37 | 1443.36 | 1540.75 | 1504.20 |
| 10 | 1474.45 | 1440.53 | 1488.42 | 1458.24 | 1465.42 |
| 15 | 1452.20 | 1455.97 | 1389.02 | 1451.84 | 1395.62 |
| 20 | 1361.73 | 1422.94 | 1386.88 | 1353.81 | 1341.62 |
| 25 | 1388.65 | 1366.73 | 1345.38 | 1285.53 | 1277.47 |
| 30 | 1332.76 | 1276.88 | 1252.75 | 1206.49 | 1249.35 |
| 35 | 1251.85 | 1209.73 | 1183.94 | 1151.77 | 1128.08 |
| 40 | 1148.71 | 1116.96 | 1071.33 | 1003.17 | 1010.66 |
| 45 | 1045.79 | 1048.07 | 981.91 | 922.54 | 918.00 |
| 50 | 1000.52 | 956.45 | 876.62 | 800.44 | 774.77 |
| 55 | 958.13 | 874.03 | 747.79 | 695.87 | 677.23 |
| 60 | 814.65 | 766.25 | 649.54 | 550.24 | 532.27 |
| 65 | 601.95 | 569.94 | 524.52 | 427.66 | 399.51 |
| 70 | 401.70 | 369.67 | 358.85 | 299.35 | 281.55 |
| 75 | 148.99 | 172.40 | 193.10 | 184.84 | 159.08 |
| 80 | 67.11 | 69.33 | 70.01 | 74.47 | 65.60 |
| 85 | 26.57 | 29.06 | 23.84 | 20.26 | 19.68 |
| 90 | 8.80 | 7.64 | 6.17 | 5.78 | 5.17 |

PHOTOMETRIC DATA - READING

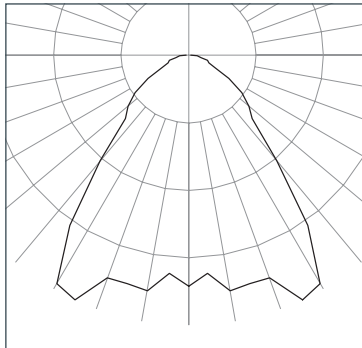
Report No.: BLGF-CF-2-R READ
 Total Lumens: 3150
 Input Watts: 44
 Efficiency: 34%
 Efficacy: 24 lms/W
 Power Factor: .975

COEFFICIENTS OF UTILIZATION

Zonal Cavity Method
 Effective Floor Cavity Reflectance = .20

| RC | 80 | | | | 70 | | | | 50 | | | |
|----|----|----|----|----|----|----|----|----|----|----|----|----|
| | RW | 70 | 50 | 30 | 10 | 70 | 50 | 30 | 10 | 50 | 30 | 10 |
| RW | | | | | | | | | | | | |
| 0 | 40 | 40 | 40 | 40 | 39 | 39 | 39 | 39 | 38 | 38 | 38 | 38 |
| 1 | 37 | 36 | 35 | 34 | 37 | 35 | 34 | 33 | 34 | 33 | 32 | 32 |
| 2 | 34 | 32 | 30 | 28 | 34 | 31 | 30 | 28 | 30 | 29 | 27 | 27 |
| 3 | 32 | 29 | 26 | 24 | 31 | 28 | 26 | 24 | 27 | 25 | 23 | 23 |
| 4 | 29 | 26 | 23 | 21 | 29 | 25 | 23 | 21 | 24 | 22 | 20 | 20 |
| 5 | 27 | 23 | 20 | 18 | 26 | 23 | 20 | 18 | 22 | 20 | 18 | 18 |
| 6 | 25 | 21 | 18 | 16 | 25 | 21 | 18 | 16 | 20 | 18 | 16 | 16 |
| 7 | 23 | 19 | 16 | 14 | 23 | 19 | 16 | 14 | 18 | 16 | 14 | 14 |
| 8 | 22 | 18 | 15 | 13 | 21 | 17 | 15 | 13 | 17 | 15 | 13 | 13 |
| 9 | 20 | 16 | 13 | 12 | 20 | 16 | 13 | 12 | 16 | 13 | 12 | 12 |
| 10 | 19 | 15 | 12 | 11 | 19 | 15 | 12 | 11 | 14 | 12 | 11 | 11 |

PHOTOMETRIC CURVE



LUMINANCE DATA (CD/M²)

| Angle In Degrees | Average 0-Deg | Average 45-Deg | Average 90-Deg |
|------------------|---------------|----------------|----------------|
| 45 | 698 | 763 | 486 |
| 55 | 547 | 386 | 396 |
| 65 | 410 | 227 | 209 |
| 75 | 222 | 122 | 181 |
| 85 | 43 | 51 | 113 |

CANDLE DISTRIBUTION

| | 0.0 | 22.5 | 45.0 | 67.5 | 90.0 |
|----|--------|--------|--------|--------|--------|
| 0 | 441.56 | 441.56 | 441.56 | 441.56 | 441.56 |
| 5 | 484.62 | 487.00 | 471.52 | 436.32 | 417.57 |
| 10 | 499.29 | 446.09 | 425.22 | 409.38 | 456.50 |
| 15 | 466.99 | 417.70 | 426.10 | 444.41 | 452.06 |
| 20 | 430.56 | 389.88 | 434.68 | 447.55 | 453.14 |
| 25 | 388.82 | 377.34 | 428.35 | 470.49 | 515.58 |
| 30 | 356.02 | 346.94 | 434.78 | 500.59 | 504.31 |
| 35 | 312.45 | 333.22 | 441.97 | 429.44 | 396.69 |
| 40 | 281.41 | 316.94 | 390.39 | 296.16 | 262.50 |
| 45 | 244.45 | 285.78 | 293.03 | 199.55 | 171.60 |
| 50 | 202.12 | 263.45 | 196.82 | 154.38 | 151.49 |
| 55 | 169.98 | 209.16 | 135.09 | 131.23 | 124.35 |
| 60 | 142.28 | 155.26 | 96.35 | 92.45 | 88.96 |
| 65 | 107.52 | 103.61 | 69.36 | 63.21 | 55.56 |
| 70 | 75.61 | 61.22 | 45.22 | 42.85 | 41.85 |
| 75 | 45.60 | 34.11 | 30.87 | 35.91 | 37.86 |
| 80 | 19.34 | 17.70 | 20.29 | 26.08 | 24.16 |
| 85 | 6.11 | 7.51 | 9.66 | 11.75 | 16.55 |
| 90 | 2.29 | 2.47 | 3.97 | 3.93 | 4.60 |