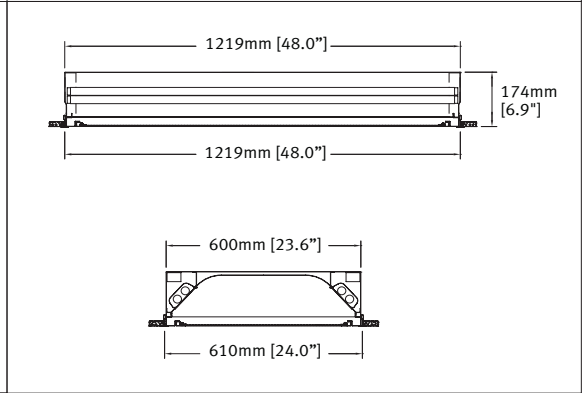


# Paciente BLGJ with door

Recessed . 2x4



<b>PROJECT:</b>
<b>TYPE:</b>
<b>NOTES:</b>



<b>BLGH</b>		<b>2/4</b>	<b>W</b>		<b>1</b>			
Model	Exam Lamp	Size	Finish	Ballast	Circuitry	Mounting	Voltage	Options

Exam Lamp	Size	Finish	Ballast
4CF40	2/4 2 x 4'	W White	E Electronic Instant Start (T8/CF)
4CF50			R Electronic Rapid Start (T5/T5H0)
2T5			D1 0-10V Dimming
4T5			D2 DALI
2T5H0			<i>For other, contact factory</i>
4T5H0			
2T8			
4T8			

Circuitry	Mounting	Voltage	Options
1 Single switchleg	RT Recessed T-Bar	120	N None
	RD Recessed Drywall	277	LV* LV controller
		347	PSLV* Pillow switch with LV controller
		<i>For other voltage, contact factory</i>	F Fuse
			AM Anti-microbial White
			<i>* Controls 120 / 277V only</i>

**APPROVALS**    Signature \_\_\_\_\_    Date \_\_\_\_\_

FILE NAME: BLGJ\_2x4\_SPEC\_SHEET

June.14.2013

570 Southgate Drive, Guelph, Ontario N1G 4P6  
Mailing Address: P.O. Box 1779 Guelph, Ontario, N1H 6Z9

1.800.621.6785 | T 519.822.4381 | F 519.822.4589  
www.metalumen.com



## SPECIFICATIONS

Due to the continuous improvement policy at Metalumen, we reserve the right to change our specifications without notice.

- Intended Use / Description** The BLGJ series of luminaires has been specifically designed to meet the requirements for patient room, intensive care, trauma center and examination lighting applications. Optical system components have been specifically designed to provide powerful, glare-free illumination for both healthcare professionals and patients. Its architectural design brings a relaxed, comfortable feel to any patient room environment.
- Housing** The luminaire body is constructed from 20 gauge cold rolled steel. The BLGJ is equipped with a tight fitting door with a clear 0.125" high impact acrylic UV stabilized lens.
- Optical System** The reflectors has been computer modeled and precision die formed from cold rolled steel finished in a 90% reflective high gloss electrostatically applied white powder coat finish. Patient and healthcare professionals are protected from direct lamp brightness by the incorporation of low brightness MetalCE extruded acrylic linear lenses on the examination lights. MetalCE is a smooth continuum optical system with an 85% transmission rate that creates smooth subdued light with no source imagery.
- Light Distribution** Examination, Ambient
- Finish** The luminaire is finished in a high gloss electrostatically applied white powder coat finish having a reflectance value of 90%.
- Weight** 2 x 2' = 11.9 kg [ 26.2 lb ]  
2 x 4' = 20.8 kg [ 45.9 lb ]
- Mounting** The BLGJ is available for recessed T-bar or recessed drywall mounting.
- Electrical** Luminaires are available in 120, 277 and 347 volts.
- Ballast** Fluorescent electronic ballasts, high power factor (<10% THD) rapid start.
- Lamps** The BLGJ series of luminaires are available with CF, T5, T5HO, T8 fluorescent lamps and LED.
- Approvals** Certified to NRTL and IES testing standards. All components cULus listed. RoHS compliant.
- Environment** Suitable for dry locations.

## WARRANTY

Metalumen will warrant a one year parts and labour warranty. Warranty is valid if luminaire is installed and used according to specification. The Ballast will carry a standard 5 year warranty by the manufacturer.

If defective, Metalumen will send replacement ballasts or drivers at no cost along with detailed replacement instructions and instructions on how to return defective components to Metalumen.

## FEATURES



### MEDILUMEN // Healthcare Lighting

Every product in our broad line of healthcare luminaires has been strategically engineered to meet modern healthcare demands while addressing patient needs and aesthetic requirements.



**Meta Ice** is a smooth Continuum Optical System with a 91% transmission rate that creates smooth subdued lighting with no source imagery. Metalce is a premium lensing optic unique to Metalumen but coupled with a high performance side kicking specular reflector to maximize the lumens from the source creating an unparalleled lumen delivery.

## PHOTOMETRIC DATA

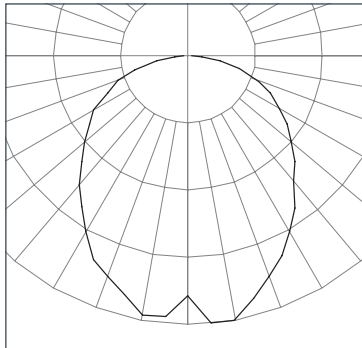
Report No.: BLGJ-4T5HO-2  
 Total Lumens: 8000  
 Input Watts: 104  
 Efficiency: 68%  
 Efficacy: 52 lms/W  
 Power Factor: .975

### COEFFICIENTS OF UTILIZATION

Zonal Cavity Method  
 Effective Floor Cavity Reflectance = .20

RC	80				70				50			
	RW	70	50	30	10	70	50	30	10	50	30	10
RW												
0	81	81	81	81	79	79	79	79	76	76	76	76
1	73	69	66	63	71	68	65	62	65	62	60	60
2	66	60	54	50	64	58	53	49	56	52	48	48
3	60	52	46	41	58	51	45	40	48	44	40	40
4	54	45	39	34	53	45	38	34	43	38	33	33
5	50	40	34	29	48	40	33	29	38	33	29	29
6	46	36	30	25	44	36	29	25	34	29	25	25
7	42	33	27	22	41	32	26	22	31	26	22	22
8	39	30	24	20	38	29	24	20	28	23	19	19
9	37	27	22	18	36	27	21	18	26	21	18	18
10	35	25	20	16	34	25	20	16	24	19	16	16

### PHOTOMETRIC CURVE



### LUMINANCE DATA (CD/M<sup>2</sup>)

Angle In Degrees	Average 0-Deg	Average 45-Deg	Average 90-Deg
45	3657	2842	3335
55	3946	2746	2899
65	4474	2585	2315
75	4753	2194	1618
85	744	529	720

### CANDLE DISTRIBUTION

	0.0	22.5	45.0	67.5	90.0
0	1647.86	1647.86	1647.86	1647.86	1647.86
5	1725.34	1728.89	1813.47	1845.28	1737.89
10	1732.58	1713.10	1763.32	1843.13	1829.43
15	1549.06	1545.15	1670.92	1730.46	1800.08
20	1441.00	1436.54	1507.86	1619.39	1687.59
25	1371.75	1370.92	1368.49	1517.83	1617.54
30	1330.65	1328.94	1297.62	1392.15	1535.20
35	1304.93	1261.51	1218.70	1276.15	1419.82
40	1299.14	1255.59	1145.94	1121.25	1293.45
45	1275.46	1220.05	1085.18	1031.09	1171.72
50	1237.85	1171.80	1042.08	916.54	1040.87
55	1219.65	1113.28	954.23	826.38	904.80
60	1186.14	1079.48	870.09	725.38	757.47
65	1163.73	1015.50	782.26	620.76	610.02
70	1071.62	906.37	667.61	518.61	480.82
75	965.89	787.96	545.07	365.08	334.63
80	517.84	469.40	339.14	218.35	196.80
85	104.33	103.10	98.78	97.61	103.49
90	28.57	28.59	24.78	24.12	26.95