

NOTES:

1. Installation should be completed by an individual familiar with the construction and operation of the luminaire.
2. Installation of luminaire must be in accordance with nation and local building and electrical codes.
3. Carefully read and follow all warnings and instructions before installing or servicing the luminaire.
4. The following instructions provide general guidelines for product installation. For additional information consult the applicable electrical codes or contact factory directly for support before attempting anything with uncertainty.
5. Instructions do not cover all details and all possible product configurations.
6. Do not restrict luminaire ventilation.
7. Ensure LED luminaire is not covered with material that will prevent convection or conduction cooling.
8. Do not exceed luminaire's maximum ambient temperature.
9. Ensure LED luminaire has the correct polarity before installation.
10. These products have maximum rated output voltage that exceeds the voltage limits that cannot be accessible based on voltage restrictions for Class 2 circuits in Canadian Electrical Code. This output complies with the definition of Class 2 per Canadian Electrical Code. This product complies with this requirement since the installation instruction requires installation in restricted access area.
11. Do not mount the luminaire to ceiling if convenience outlet option is provided.
12. Do not use the luminaire housing as junction box cover unless the housing width is wider than the junction box.

WARNINGS:

Electric shock

- Disconnect or turn off power before installing or servicing luminaire.
- All electrical wiring to be completed by a qualified licensed electrician in accordance with local and National/Canadian Electrical Code.
- Ensure supply voltage corresponds with the correct ballast/driver voltage.
- Avoid exposing wiring to metal edges and sharp objects.
- Ensure that the luminaire is properly grounded to prevent electric hazards.

Fire

- Keep flammable and combustible materials away from the light source and/or lens.
- Use correctly rated supply conductors as indicated by product labeling.

Burn

- Allow luminaire to cool before handling luminaire.

Personal Injury

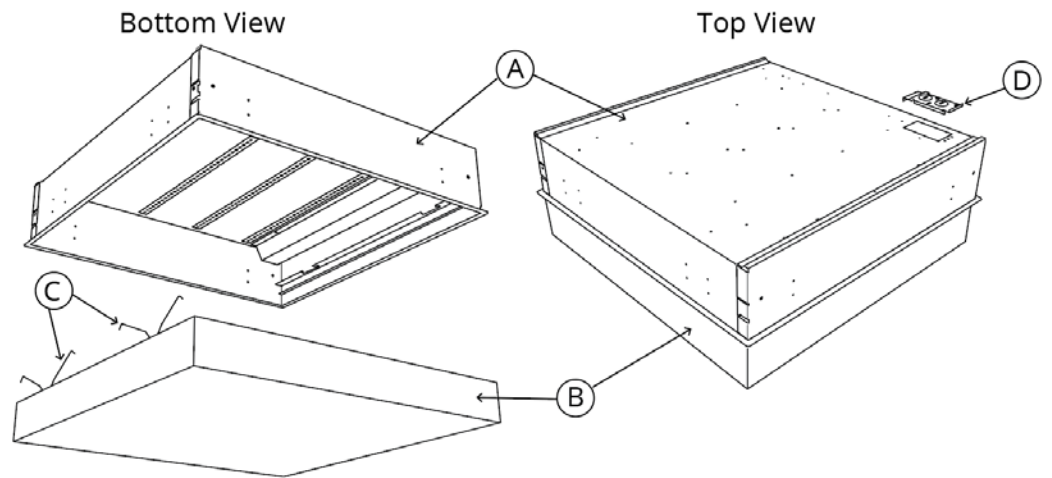
- Wear safety glasses and gloves when handling the luminaire to avoid physical injury.
- Avoid direct eye contact with light source

Specifications and design subject to change without notice.

PARTS LIST

MAIN PARTS

- A. Luminaire enclosure
- B. Diffuser / Lens
- C. Springs
- D. Access Plate



REQUIRED TOOLS

- Phillips screwdriver

WIRING

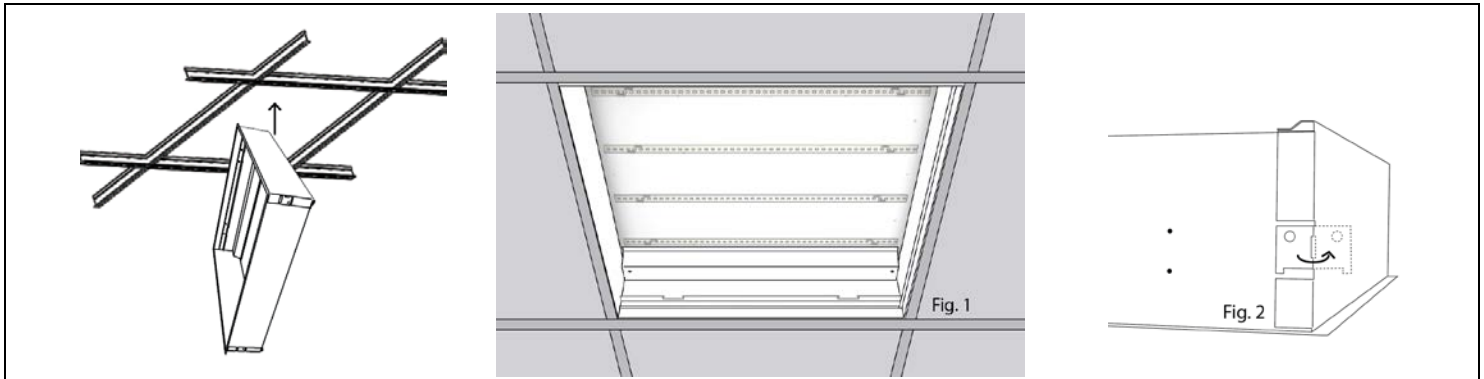
All electrical wiring is to be completed by a qualified licensed electrician in accordance with local and National/Canadian Electrical Code.

Specifications and design subject to change without notice.

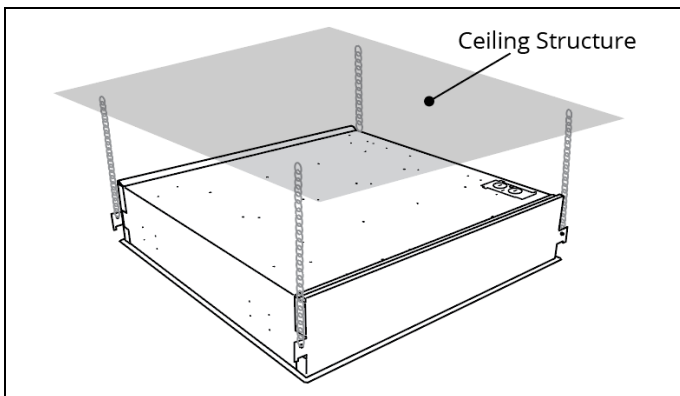
STEP-BY-STEP INSTRUCTIONS

STEP 1. Remove fixture and all supplied parts from packaging. Fixture is shipped with T-bar brackets installed.

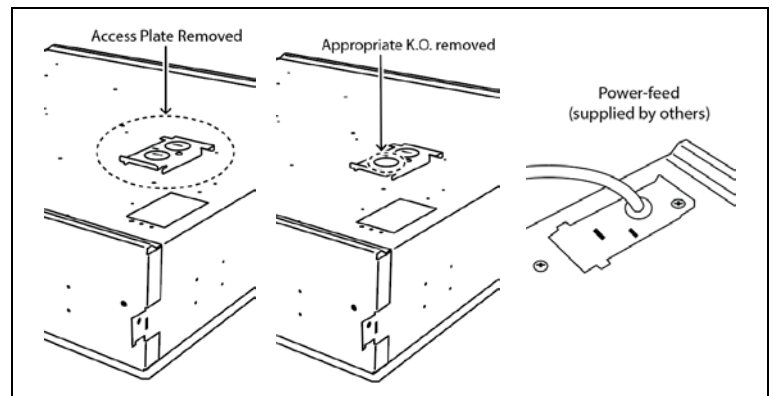
STEP 2. Carefully remove diffuser from luminaire and place on clean surface top.



STEP 3. Lay luminaire into the ceiling grid (Fig. 1) and bend out corner tabs (Fig. 2).



STEP 4. Secure luminaire with grid wire/chains to the structure above per local and/or national building codes.

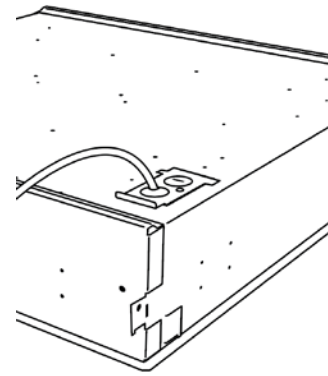


STEP 5. Remove access plate and appropriate K.O.'s for attachment of electrical power feed cable connectors (by others).

Specifications and design subject to change without notice.

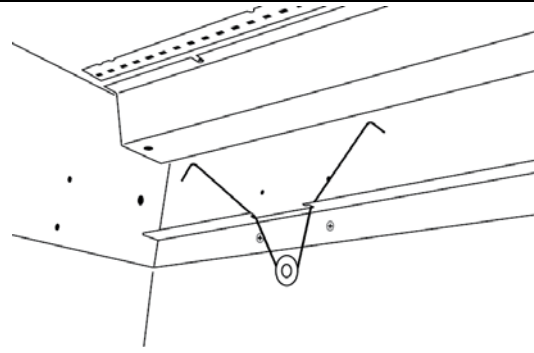
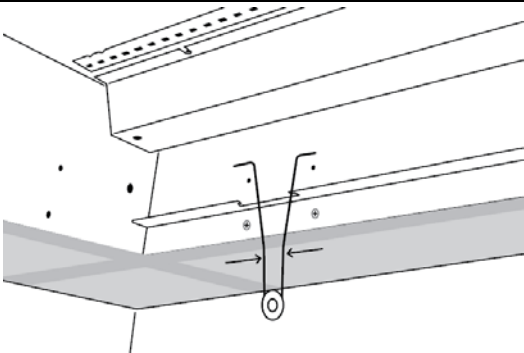
STEP 6.

Make the necessary wiring connections and ground connections per local and national electrical building codes.

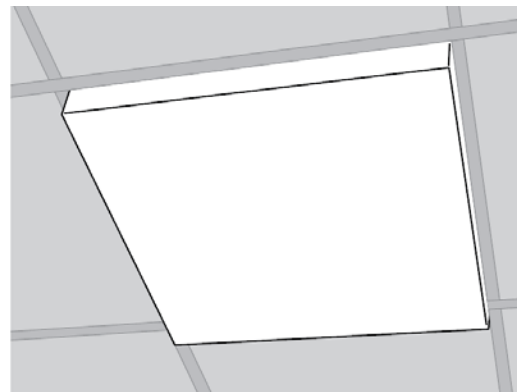
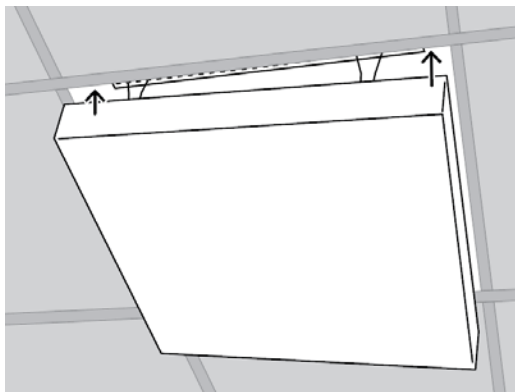


STEP 7. Reattach access plate to luminaire and secure access plate screw.

LENS INSTALLATION



STEP 1. Begin with one side first. Squeeze, align and insert springs to bracket. Repeat same for the other side.



STEP 2. Once all springs are properly installed, gently push the diffuser as far as the springs allow. Installation is complete.

Specifications and design subject to change without notice.

MAINTENANCE**REQUIRED TOOLS:**

- Plastic/latex gloves
- Clean, dry, lint-free cloth

Important: Use clean gloves to avoid adding oil/dirt to reflector surface. Avoid scratching reflector surface by using installation tools with soft plastic rounded edges.

To clean the lens:

Gently wipe down the lens with a clean, dry cloth to remove any dust and light residues. For heavier smudges, use a clean, damp, lint-free cloth to wipe lens.

WARNING:

Hard wiping and abrasive cloths will scratch the optics. DO NOT USE cleaning products containing alcohol or acetone which will damage the optics.

Specifications and design subject to change without notice.