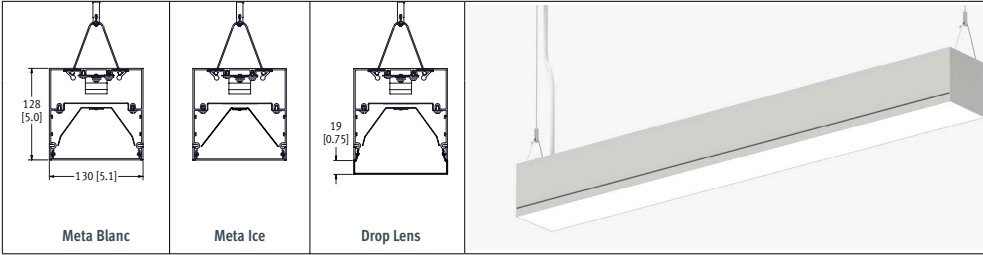


Rail 6 S6

LED . Pendant



DLC Applicable only to Meta Ice Optics



| |
|----------|
| CAT #: |
| PREP BY: |
| DATE: |
| PROJECT: |
| TYPE: |
| NOTES: |

ORDERING LOGIC

Example Part Number: S6-1L35K-8-MB-W-L31-PA-1-D-90

| S6 | Color Temp | Length | Pattern | Optics | Up | Down | Finish | LL/Driver | Circuitry | Mounting | Voltage | Controls | Options |
|--|---|----------------------------------|---------------------------------|------------------|--------------------------------|----------------|-----------------------|-----------|-----------|----------|---------|----------|---------|
| Color Temp | Optics Up | Light Level (LL) / Driver | | Circuitry | | Voltage | | | | | | | |
| 1L30K = 3000K | _ = None (leave space empty) | | Performance at 3500K | | 1 = 1 Circuit | | 1 = 120 V | | | | | | |
| 1L35K = 3500K | Optics Down | | 0-10V Dimming (Standard) | | EM = Emergency / Night Light | | 2 = 277 V | | | | | | |
| 1L40K = 4000K | MB = Meta Blanc (Opal Diffuse) | | Light Level (lm/W) | | B = Battery Pack | | 3 = 347 V | | | | | | |
| 1LTUN = 2-White Tunable (2700 - 6500K) | M = Meta Ice (High Output Semi-Diffuse) | | Efficacy (lm/W) | | Mounting | | 4 = UNV (120 - 277 V) | | | | | | |
| | MD = Drop Lens** | | Based on 4ft sections. | | PA = Pendant Aircraft Cable | | | | | | | | |
| Length | Pattern | | | | Controls | | | | | | | | |
| 2 = 2 ft | 8 = 8 ft | G = Square / Rectangle | | | = None (leave space empty) | | | | | | | | |
| 3 = 3 ft | 9 = 9 ft | U = U-Shape | Finish | | D = Daylight Sensor | | | | | | | | |
| 4 = 4 ft | 10 = 10 ft | L = L-Shape | SA = Satin Aluminum | | O = Occupancy Sensor | | | | | | | | |
| 5 = 5 ft | 11 = 11 ft | C = Custom Pattern* | W = White | | DO = Daylight/Occupancy Sensor | | | | | | | | |
| 6 = 6 ft | 12 = 12 ft | Enter pattern dimensions on p.2 | C = Custom Finish Specify RAL#: | | Options | | | | | | | | |
| 7 = 7 ft | | | | | 90 = 90 CRI | | | | | | | | |
| R = Continuous Rows (See p.3) | | | | | = None (leave space empty) | | | | | | | | |
| C = Custom Length (Consult factory) | | | | | | | | | | | | | |
| _ = None (leave space empty) | | | | | | | | | | | | | |

* Consult factory for custom patterns, including X and T patterns. | ** Drop lens is not available with patterns.

SPECIFICATIONS

Due to the Continuous Improvement Policy at Metalumen, we reserve the right to change our specifications without notice.

Housing: Rigid extruded aluminum body, 2.0mm (0.08") nominal wall thickness, and steel formed end caps.
Optical System: Mid flux LED technology transmits to an internal high performance, side-kicking reflector that then passes through our Meta Blanc, Meta Ice or drop lens acrylic diffuser for smooth distribution, creating a continuation of smooth consistent light.
CRI: 83+ for 3500K, 80 minimum for all

CCTs in standard configurations.
Lumen Maintenance: Minimum 50,000h with TM-21 lumen maintenance of 85% @ 25°C ambient temperature (calculated based on IESNA LM-80-08 LED test data). L70: ≥ 60 000hrs.
Weight: 1.7 kg/300mm [3.8 lb/ft]
Mounting: Aircraft cable yoke complete with a Quick-Grip field adjustable suspension system provides for quick and easy on-site alignment.

Electrical: Factory prewired with easy wire quick connect sections.
Drivers: Metalumen offers dimming drivers as a standard on our entire LED product offering at 0-10V. Dimming range is 10%-100%. Power factor is > 90%. Class 2 rating.
Controls: Refer to Ordering Logic chart above.
Lutron Driver Options: Consult factory for Lutron LED driver options:

LHE H-Series Hi-lume 1% EcoSystem
LA2 A-Series Hi-lume 1% 2-wire
L5E 5-Series EcoSystem 5-Series
Approvals: Certified to NRTL safety and IES recommendation testing standards. cULus listed. All components are CSA/QPS recognized or listed, RoHS, LM79, LM80 and LM82 compliant.
Environment: Suitable for dry or damp locations.

APPROVALS Signature _____

Date _____

FILE NAME: S6_P_SPEC_SHEET_20190507

570 Southgate Drive, Guelph, Ontario N1G 4P6
 Mailing Address: P.O. Box 1779 Guelph, Ontario, N1H 6Z9

1.800.621.6785 | T 519.822.4381 | F 519.822.4589
 www.metalumen.com



FEATURES

Commercial Lighting - With over 30 years of successful architectural lighting, providing unique concept and installation solutions has become second nature. Metalumen's Start to End Development Process results in unique performance, design and architectural requirements from concept through implementation. Metalumen's Lighting Solutions have been applied to customer

projects requiring: high profile architectural installations; improved energy efficiency; retrofit installations; unique installations. Metalumen can provide top-quality innovative fixtures when and where they are needed and, at the same time, allow the customer to determine their level of involvement in Metalumen's Start to End Development Process.


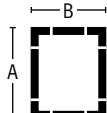
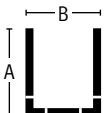
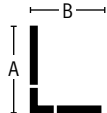
Educational Lighting - A collection of premium luminaires that maximize both the functionality and performance of any educational facility. Based on maximum efficiency, integration of controls and exceptional design, Edulumen will earn high marks for meeting your requirements. Students challenge themselves throughout the day to achieve, and Metalumen is dedicated to this by

creating sustainable environments that foster enhanced educational experiences.

DAMP Suitable for dry or damp locations.

| | | |
|---|--|--|
|  | <p>RAIL 6 S6 Family DLC Approved</p> | <p>For more Metalumen DLC Approved Products, visit the DLC Website</p> |
|---|--|--|

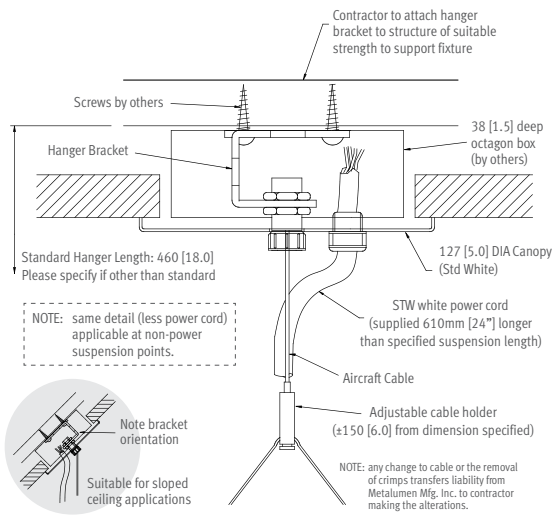
PATTERNS

| | Square (G) | Rectangle (G) | U-Shape (U) | L-Shape (L) |
|-------------------------------|---|---|---|---|
| Select Pattern | | | | |
| Pattern Configuration |  |  |  |  |
| Indicate Desired Lengths (ft) | A = | A = B = | A = B = C = | A = B = |
| Minimum Lengths | 4' for all sides | | A = 3', B = 4', C = 3' | A = 3', B = 3' |

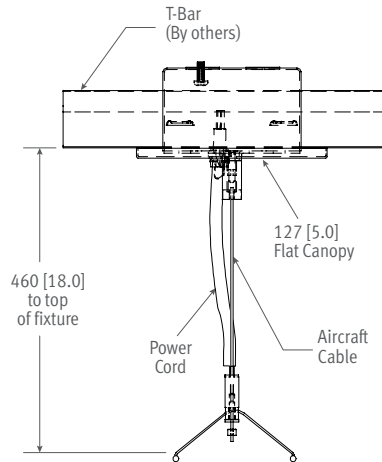
Record drawings will be sent out upon order showing mounting locations.

HANGERS

Aircraft Cable & Cord



T-Bar Aircraft Cable & Cord

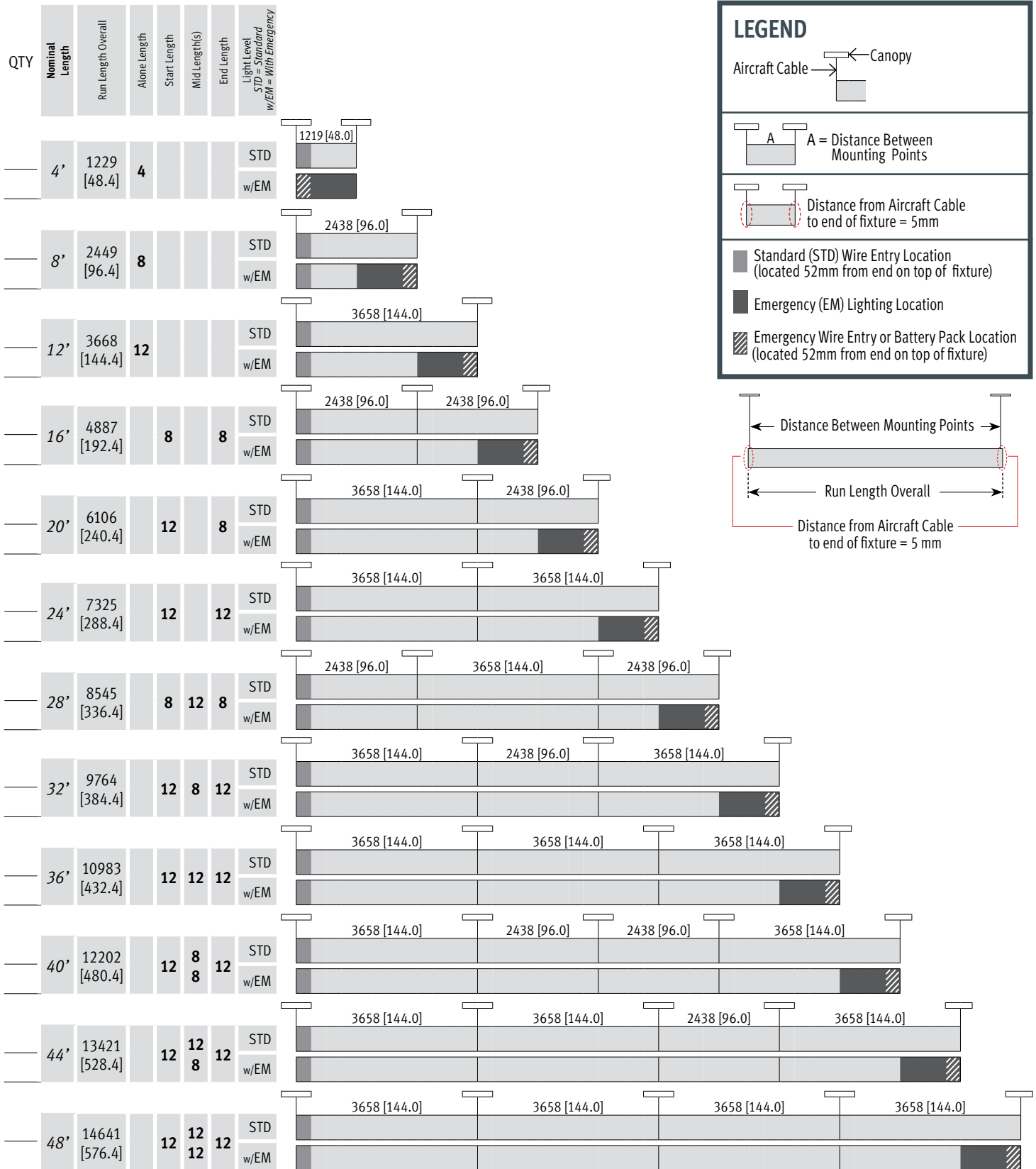


Select Hanger Length below:

| AIRCRAFT CABLE | | |
|--|-----------------------|-------------|
| Total adjustment range is 6" up & down for each standard length. | | |
| All other lengths are considered custom unless otherwise stated. | | |
| | IMPERIAL (in) | METRIC (mm) |
| <input type="checkbox"/> | 12 | 305 |
| <input type="checkbox"/> | 18 | 460 |
| <input type="checkbox"/> | 24 | 610 |
| <input type="checkbox"/> | 30 | 760 |
| <input type="checkbox"/> | 36 | 915 |
| <input type="checkbox"/> | 42 | 1067 |
| <input type="checkbox"/> | 48 | 1220 |
| <input type="checkbox"/> | 54 | 1372 |
| <input type="checkbox"/> | 60 | 1525 |
| <input type="checkbox"/> | 72 | 1830 |
| <input type="checkbox"/> | 96 | 2440 |
| <input type="checkbox"/> | 120 | 3050 |
| <input type="checkbox"/> | 144 | 3660 |
| <input type="checkbox"/> | Custom length: | |

| CANOPY FINISH | |
|--------------------------|-------------------------------|
| <input type="checkbox"/> | White Paint (Standard) |
| <input type="checkbox"/> | Custom Specify RAL#: |

MOUNTING - ROW CONFIGURATIONS



FILE NAME: S6_P_SPEC_SHEET_20190507

