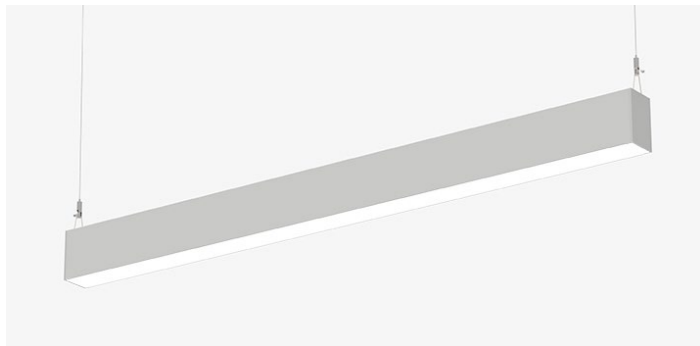


# RAIL 2 RM2DU (Formerly RM2DI)

TUNABLE . PENDANT . DIRECT / INDIRECT . PATTERNS



PART #:	
PREP BY:	DATE:
PROJECT:	
NOTES:	
APPROVAL SIGNATURE:	DATE (DD/MM/YYYY):

PERFORMANCE SUMMARY @ 4000K		MBMB	MBMD
		L3L3	
Lumens per foot	80 CRI	1107	1164
	90 CRI	974	1024
Distribution (Up / Down %)		52 / 48	58 / 42
Wattage per foot		11.8	
Efficacy (lm/W)	80 CRI	94	99
	90 CRI	83	87
L70 Estimate (h)		> 60,000 hrs	

See page 2 for the complete Light Level Performance chart.

## FEATURES

- Independent control of intensity and correlated color temperature (CCT)
- Allows for scheduled mimicking of daylight color temperatures
- Dim-to-Warm simulates warmer CCT shift as luminaire dims (i.e. like traditional incandescent and halogen lights).

## ORDERING LOGIC

Example Part Number: RM2DU-2LTUN-G4x4-MBMB-W-L3L31-PA18-1-DO-90

RM2DU	1	2	3	4	5	6	7	8	9	10	11	12		
1. SERIES <b>RM2DU</b>	2. COLOR TEMP <b>2LTUN</b> Tunable White (2700 - 6500K) <b>2LDW</b> Dim to Warm* (3500 - 2700K)		3. PATTERN <sup>1</sup> <b>GA</b> Square <b>GAxB</b> Rectangle <b>UAxBxC</b> U-Shape <b>LAxB</b> L-Shape <b>C</b> Custom Pattern* (A drawing of custom pattern is required on page 3)			4. OPTICS (UP / DOWN) <b>MBMB</b> Meta Blanc / Meta Blanc <b>MBMD</b> Meta Blanc / Drop Lens** <b>MRMB</b> Rise Lens / Meta Blanc** <b>MRMD</b> Rise Lens / Drop Lens**			5. FINISH <b>SA</b> Satin Aluminum <b>W</b> White <b>B</b> Black <b>C</b> Custom Finish Specify RAL:					
90 CRI is available under OPTIONS		<b>Standard Patterns Minimum Lengths</b>  Square / Rectangle: A = 4 ft min., B = 4 ft min. U-Shape: A = 3 ft min., B = 4 ft min., C = 3 ft min. L-Shape: A = 3 ft min., B = 3 ft min.			<b>Custom Patterns* (C)</b> A drawing of custom pattern is required on page 4  T-Shape    Cross / X			<b>Select corner:</b> <input checked="" type="checkbox"/> Outside 90° <input checked="" type="checkbox"/> Inside 90° 			<b>Meta Blanc, Rise &amp; Drop Lens:</b> Opal Diffuse Lens <b>Meta Ice:</b> High-Output Semi Diffuse Lens			
6. LIGHT LEVEL (LL) / DRIVER CODES: "X" represents Standard Direct Light Level <b>L1LX</b> <b>L2LX</b> <b>L3LX</b> Code example: Indirect Light Level 3   Direct Light Level 2 <b>L3,L2</b> Select Driver on page 2. See Light Level Performance chart on page 2.		7. CIRCUITRY <b>1</b> 1 Circuit <b>UD</b> Up / Down Switching <b>EM</b> Emergency / Night Light <sup>2</sup> <b>B</b> Emergency Battery Pack <sup>3</sup>		8. MOUNTING <b>PAA</b> Pendant Aircraft Cable <b>PTA</b> Pendant Aircraft Cable for T-bar Replace "A" with length (in inches) selected on page 2. Select Aircraft Cable Length, Canopy Finish & Power Cord Color on page 2		9. VOLTAGE <b>1</b> 120V <b>2</b> 277V <b>4</b> UNV (120-277V)		10. CONTROLS / SENSORS _ None (leave space empty) <b>D</b> Wattstopper Daylight Sensor <sup>4</sup> <b>O</b> Wattstopper Occupancy Sensor <sup>4</sup> <b>DO</b> Wattstopper Daylight and Occupancy Sensor <sup>4</sup>			11. OPTIONS <b>90</b> 90 CRI, High R9 _ None (leave space empty)			

\*Consult factory for alternate range options. | \*\* Not available with patterns. | <sup>1</sup> Pattern record drawings showing mounting locations will be sent out upon order. | <sup>2</sup> Each EM pod, by default, has separate wire entry for DIM and CCT control. | <sup>3</sup> Battery operates 4ft direct sections only. | <sup>4</sup> Controls intensity only (not CCT).

<b>PLEASE NOTE</b>	Dim to Warm is not available with integrated sensors. Tunable White and Dim to Warm are available with emergency battery packs connected to the cool color LEDs only.
--------------------	--

Select Driver:

- Factory option dual 0-10V (Dim & CCT), 1% Dimming
- Lutron T Series EcoSystem, 1% Dimming
- DALI - Factory Option, DT6 Dual Address, 1% Dimming
- DALI - Factory Option, DT8 Single Address Color Control, 1% Dimming
- DALI - EldoLED

Select Aircraft Cable Length:

Total adjustment range is 6" up & down for each standard length. All other lengths are considered custom unless otherwise stated.

Select:	Imperial (in)	Metric (mm)
<input type="checkbox"/>	12	305
<input type="checkbox"/>	18	460
<input type="checkbox"/>	24	610
<input type="checkbox"/>	30	760
<input type="checkbox"/>	36	915
<input type="checkbox"/>	42	1067
<input type="checkbox"/>	48	1220

Select:	Imperial (in)	Metric (mm)
<input type="checkbox"/>	54	1372
<input type="checkbox"/>	60	1525
<input type="checkbox"/>	72	1830
<input type="checkbox"/>	96	2440
<input type="checkbox"/>	120	3050
<input type="checkbox"/>	144	3660
<input type="checkbox"/>	Custom Length: _____	

Select Canopy Finish & Power Cord Color

Canopy	Power Cord
<input type="checkbox"/> White	<input type="checkbox"/> White
<input type="checkbox"/> Black	<input type="checkbox"/> Black*
<input type="checkbox"/> Custom Finish RAL: _____	<i>*consult factory</i>

Light Level Performance

**MBMB**

Up: Meta Blanc / Down: Meta Blanc

		2700K				4000K				6500K			
		L1	L2	L3	L4	L1	L2	L3	L4	L1	L2	L3	L4
Total Lumens / foot (lm)	80 CRI	610	757	1008	1404	653	818	1107	1585	668	833	1108	1549
	90 CRI	536	666	886	1234	574	719	972	1393	587	732	974	1361
Wattage per foot		7.0	9.0	12.5	19.5	6.8	8.6	11.8	18.2	7.1	9.1	12.7	20.0
Efficacy (lm/W)	80 CRI	87	84	81	72	96	95	94	87	94	92	87	78
	90 CRI	76	74	71	63	84	84	83	77	82	81	77	68
Color Rendering (CRI)	80 CRI	80+											
	90 CRI	90+											
L70 Estimate @ 25°C Ambient		> 60,000 hrs											

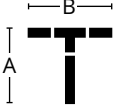
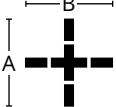
**MBMD**

Up: Meta Blanc / Down: Drop Lens

		2700K				4000K				6500K			
		L1	L2	L3	L4	L1	L2	L3	L4	L1	L2	L3	L4
Total Lumens / foot (lm)	80 CRI	637	796	1061	1485	685	861	1164	1676	700	872	1162	1633
	90 CRI	560	699	932	1305	602	757	1023	1473	615	766	1022	1435
Wattage per foot		7.0	9.0	12.4	19.5	6.8	8.6	11.7	18.2	7.1	9.1	12.7	20.0
Efficacy (lm/W)	80 CRI	91	89	85	76	101	101	99	92	98	96	92	81
	90 CRI	80	78	75	67	88	89	87	81	86	84	80	71
Color Rendering (CRI)	80 CRI	80+											
	90 CRI	90+											
L70 Estimate @ 25°C Ambient		> 60,000 hrs											

Metalumen's light level performance metrics are subject to manufacturers' component tolerances and based on a white luminaire (other luminaire colors may affect performance.)

PATTERNS

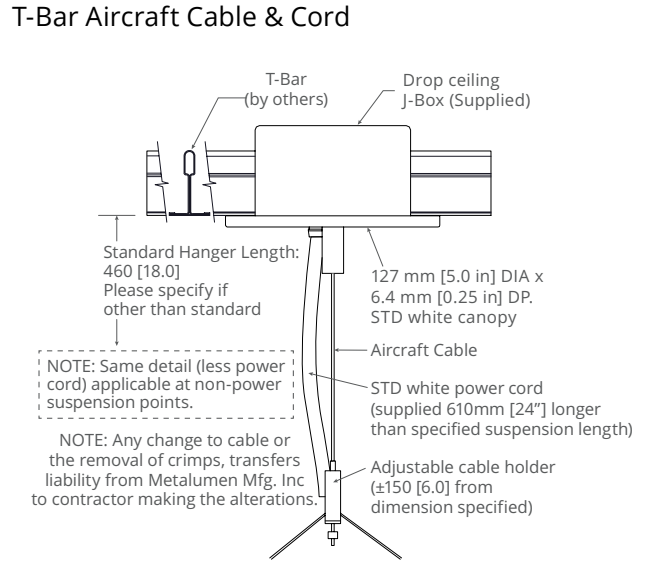
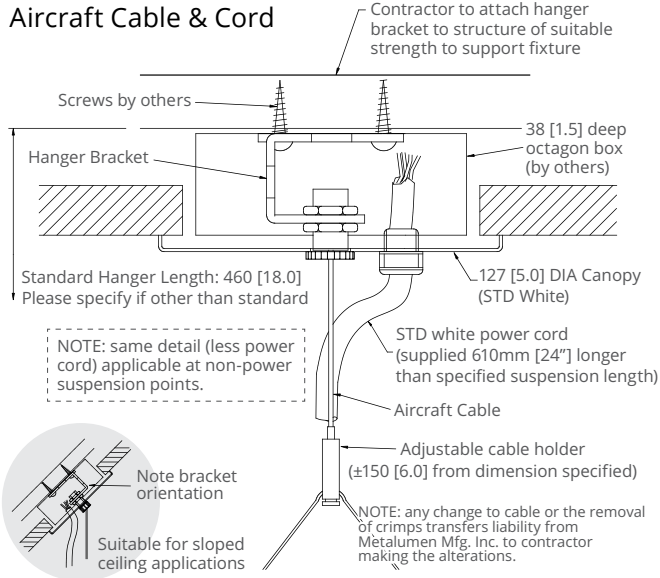
Select Pattern:	<input type="checkbox"/> T-SHAPE (C)	<input type="checkbox"/> CROSS / X-SHAPE (C)
Pattern Configuration		
Indicate Desired Lengths (ft)	A = B =	A = B =
Minimum Lengths	A = 3 ft B = 6 ft	A = 6 ft B = 6 ft

**A custom pattern configuration drawing is required in the grid below**

Approval drawings will be sent out upon order showing mounting locations.



HANGERS



WIRING

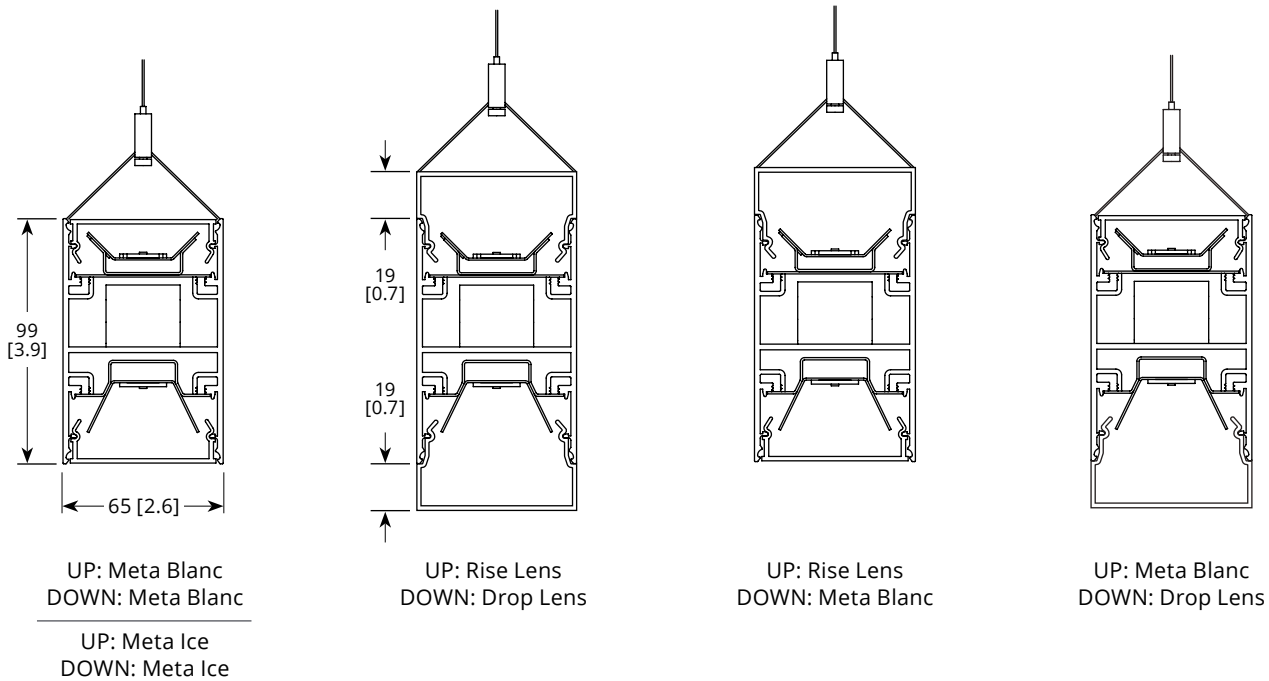
Emergency Wiring	Battery Pack Wiring
<p>BLACK - LINE WHITE - NEUTRAL GREEN - GROUND RED - CAP OFF</p>	<p>BLACK - LINE WHITE - NEUTRAL GREEN - GROUND RED - UNSWITCHED HOT</p>

Luminaire with Integral Driver	
Line Voltage / Control to Luminaire	
<h4>Hard Wire</h4> <p>(7) Leads</p> <p>BLACK - LINE WHITE - NEUTRAL BARE - GROUND VIOLET - DIM (+) GREY - DIM (-) VIOLET - CCT MIX (+) GREY - CCT MIX (-)</p>	<h4>Power Cord</h4> <p>(18-6)</p> <p>BLACK - LINE WHITE - NEUTRAL GREEN - GROUND RED - CCT MIX (+) VIOLET - DIM (+) GREY - DIM (-) / CCT MIX (-)</p> <p>VIOLET - DIM (+) Not available with fixture integrated occupancy or daylight sensor option.</p>

Luminaire with Remote Driver (BB Box)	
Line Voltage / Control to Remote Driver (BB Box)	
<h4>Hard Wire</h4> <p>(7) Leads</p> <p>BLACK - LINE WHITE - NEUTRAL BARE - GROUND VIOLET - DIM (+) GREY - DIM (-) VIOLET - CCT MIX (+) GREY - CCT MIX (-)</p>	<h4>Power Cord</h4> <p>(18-6)</p> <p>BLACK - LINE WHITE - NEUTRAL GREEN - GROUND RED - CCT MIX (+) VIOLET - DIM (+) GREY - DIM (-) / CCT MIX (-)</p>

Remote Driver (BB Box) to Luminaire	
<h4>Hard Wire</h4> <p>Remote Driver</p> <p>RED - LED1 + BLUE - LED1 - RED - LED2 + BLUE - LED2 - BARE - GROUND</p>	<h4>Cord</h4> <p>(18-5)</p> <p>BLACK - LED1 - WHITE - LED1 + GREEN - GROUND VIOLET - LED2 + GREY - LED2 -</p>

## CROSS SECTIONS &amp; DIMENSIONS



## SPECIFICATIONS

Due to the Continuous Improvement Policy at Metalumen, we reserve the right to change our specifications without notice.

**Housing:** Rigid extruded aluminum body, 2.3mm [0.09"] nominal wall thickness. Aluminum end caps.

**Optical System:** Metalumen luminaires are designed to utilize leading edge LED technology combined with luminaire optimized reflectors and our custom diffusers, resulting in industry leading optical performance.

**CRI:** 83+ for 3500K, 80 minimum for all

CCTs in standard configurations.

**Lumen Maintenance:** Minimum 50,000h with TM-21 lumen maintenance of 85% @ 25°C ambient temperature (calculated based on IESNA LM-80-08 LED test data). L70: ≥60,000hrs.

**Finish:** Satin aluminum, white and black are standard finishes. For custom finish, contact factory.

**Mounting:** Aircraft cable

complete with a Quick-Grip field adjustable suspension system provides for quick and easy on-site alignment.

**Electrical:** Factory prewired with easy wire quick connect sections.

**Drivers:** Metalumen offers 0-10V dimming\* as a standard on our entire LED product offering. Dimming range is 1%-100%. Power factor is > 90%. Class 2 rating. Drivers are integral.

**Approvals:** All components are UL/CSA/QPS recognized or listed. RoHS compliant. cULus listed.

**Environment:** Suitable for dry or damp locations.

*\*Standard drivers compatible with passive/sinking dimmers. Please contact Metalumen if active/sourcing dimmer support is required.*

## WARRANTY

Metalumen will warrant defective luminaires for 5 years from date of purchase. Warranty is valid if luminaire is installed and used according to specification. If defective, Metalumen will send replacement boards or drivers at no cost along with detailed replacement instructions and instructions on how to return defective components to Metalumen.