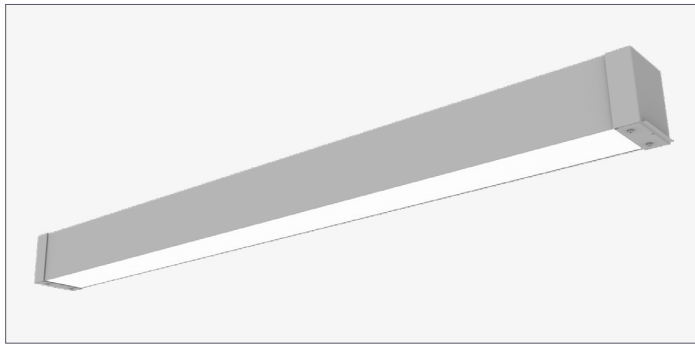


RAIL 4 RM4DOD

OUTDOOR . LED . MULLION . DIRECT



- Efficacy up to 134 LPW
- Integral drivers
- Indirect distribution available with Inverse Mount option
- Standard natatorium finish
- Emergency lighting



| | |
|---------------------|--------------------|
| PART #: | |
| PREP BY: | DATE: |
| PROJECT: | QTY: |
| NOTES: | |
| APPROVAL SIGNATURE: | DATE (DD/MM/YYYY): |

| PERFORMANCE SUMMARY @ 3500K | | Meta Blanc MB | Meta Ice M | Luma Span LS | Luma Asym. LA | Polycarbonate PC |
|-----------------------------|--------|---------------|------------|--------------|---------------|------------------|
| | | L3 | L3 | L3 | L3 | L3 |
| Lumens per foot | 80 CRI | 648 | 716 | 719 | 744 | 663 |
| | 90 CRI | 567 | 627 | 629 | 651 | 580 |
| Wattage per foot | | 5.7 | 5.8 | 5.8 | 6 | 6 |
| Efficacy | 80 CRI | 113 | 124 | 125 | 129 | 115 |
| | 90 CRI | 99 | 108 | 103 | 107 | 100 |
| L70 Estimate (h) | | ≥ 60,000 hrs | | | | |

See complete Light Level Performance and Photometric Data on p2

OTHER RAIL WET SERIES PRODUCTS



ORDERING LOGIC

Example Part Number: RM4DOD-1L35K-8-MB-W-L31-M-1-90

| RM4DOD | | | | | | | | | | | | | | | | | | | | | | | |
|----------------------------|--------------------------------------------------------------------------------------------------------------------------|------------------------------------------------------------------------------------------------------------------------------------------------------------------------------------------------------------------------------------------------------------------------------------------------------------------------------------|-----------------------------------------------------------------------------------------------------------------------------------------------------------------------------------------------------------------------------------------------------------------------------------------------------------------------------------|--------------------------------------------------------------------------------------------------------------------------------------------------------------------------------------------------------------------------------------------------------------------------------------------------------------------------------------|------------------------------------------------------------------------------------------------------------------|-----------------------------------------------------------------------------------------------------------------------------------------------------------------------------------------------|---------------------------------------------------------------------------------------------------------------------------------------------------------------------------------------------------------------------------------------------------------------------------------------------------------------|-----------------------------------------|---------------------------------------------------------------------------------------------|------------------------------------------------------------------------------------------------------------------------------------------------------------------------------------------------------------------------------------------------------------------------------------------------------------------------------------------------|--|--|--|--|--|--|--|--|--|--|--|--|--|
| 1 | 2 | 3 | 4 | 5 | 6 | 7 | 8 | 9 | 10 | 11 | | | | | | | | | | | | | |
| 1. SERIES RM4DOD | 2. COLOR TEMP 1L30K 3000K 1L35K 3500K 1L40K 4000K 90 CRI is available under OPTIONS | 3. LENGTH 2 2 ft 3 3 ft 4 4 ft 5 5 ft 6 6 ft 7 7 ft 8 8 ft 9 9 ft 10 10 ft 11 11 ft 12 12 ft RA Continuous Rows (Replace "A" with length in feet) C Custom Length* _ None (leave space empty) | 4. PATTERN ¹ GA Square GAxB Rectangle UAxBxC U-Shape LAxB L-Shape _ None (leave space empty) Standard Pattern Minimum Lengths A = 4 ft min. A = 4 ft min. B = 4 ft min. A = 3 ft min. B = 4 ft min. C = 3 ft min. A = 3 ft min. B = 3 ft min. | 5. OPTICS MB Meta Blanc M Meta Ice LS Luma Span (Batwing) LA Luma Asymmetric PC Polycarbonate IK10 MB: Acrylic opal diffuse lens M, LS, LA: Acrylic high output semi-diffuse lens PC: Semi-diffuse lens See Photometric Data on p2 | 6. FINISH SA Satin Aluminum W White B Black C Custom Finish Specify RAL: | 7. LIGHT LEVEL / DRIVER L1 L2 Select Driver below. See Light Level Performance and Photometric Data on p2 L3 L4 LX Enter desired lm/ft: | 8. CIRCUITRY 1 1 Circuit EM Emergency / Night Light (not available for 2ft) B Emergency Battery Pack ² (Limited to ambient temperatures above 0°C) BC Emergency Battery Pack ² for Cold Weather (Limited to ambient temperatures down to -20°C) | 9. MOUNTING M Mullion Mounted | 10. VOLTAGE 1 120V 2 277V 3 347V 4 UNV (120 - 277V) | 11. OPTIONS 90 90 CRI, High R9 IM Inverse Mount <i>Select application:</i> <input type="checkbox"/> Indoor <input type="checkbox"/> Outdoor (Polycarbonate lens only) SP Surge Protection EF End Feed (Alone fixtures only) VH Vandal Resistant Hardware _ None (leave space empty) | | | | | | | | | | | | | |

*Consult factory. | ¹ Pattern record drawings showing mounting locations will be sent out upon order. | ² Battery operates 4ft sections only.

- Select Driver: Factory option 0-10V, 1% Dimming
 LHE Lutron H-Series Hi-lume 1% EcoSystem LED Driver
 L5E Lutron 5-Series EcoSystem LED Driver
 Consult factory for -40 drivers.

LIGHT LEVEL PERFORMANCE & PHOTOMETRIC DATA

3500K, 80 CRI, 0-10V Dimming (Standard)

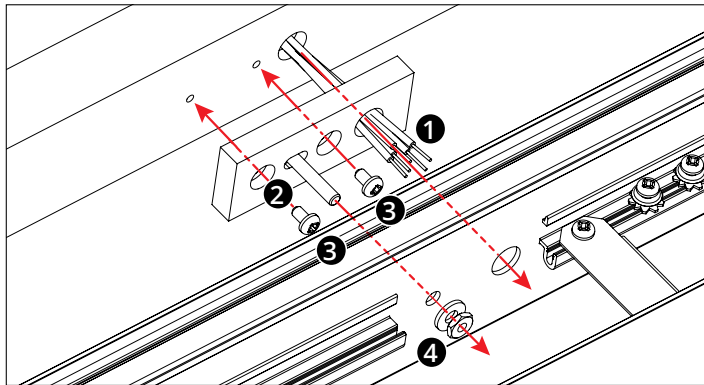
| Light Level | Meta Blanc (MB) | | | Meta Ice (M) | | | Polycarbonate Lens (PC) | | | Luma Span (LS) | | | Luma Asymmetric (LA) | | | |
|----------------|------------------------------|----------------------|----------------|-----------------|---------------------|----------------|-------------------------|----------------------|----------------|-----------------|----------------------|----------------|----------------------|----------------------|----------------|--|
| | Lumens per foot | Wattage per foot | Efficacy (LPW) | Lumens per foot | Wattage per foot | Efficacy (LPW) | Lumens per foot | Wattage per foot | Efficacy (LPW) | Lumens per foot | Wattage per foot | Efficacy (LPW) | Lumens per foot | Wattage per foot | Efficacy (LPW) | |
| L1 | 385 | 3.3 | 117 | 423 | 3.3 | 129 | 392 | 3.3 | 119 | 424 | 3 | 129 | 441 | 3 | 134 | |
| L2 | 481 | 4.3 | 113 | 531 | 4.2 | 124 | 491 | 4.3 | 115 | 532 | 4 | 125 | 553 | 4 | 130 | |
| L3 | 648 | 5.7 | 113 | 716 | 5.8 | 124 | 663 | 5.8 | 115 | 719 | 6 | 125 | 744 | 6 | 129 | |
| L4 | 1206 | 11.8 | 102 | 1332 | 11.8 | 113 | 1232 | 11.7 | 104 | 1333 | 12 | 113 | 1383 | 12 | 117 | |
| Light Level L3 | IES File | RM4DOD-1L35K-4-MB-L3 | | | RM4DOD-1L35K-4-M-L3 | | | RM4DOD-1L35K-4-PC-L3 | | | RM4DOD-1L35K-4-LS-L3 | | | RM4DOD-1L35K-4-LA-L3 | | |
| | Distribution % (Down / Up) | 100 / 0 | | | 100 / 0 | | | 100 / 0 | | | 100 / 0 | | | 100 / 0 | | |
| | Zonal Lumens (0-90 / 90-180) | 2593 / 0 | | | 2863 / 0 | | | 2651 / 0 | | | 2874 / 0 | | | 2974 / 0 | | |
| | Distribution Curve | | | | | | | | | | | | | | | |

Lumen Adjustment Factor (Standard)

| Color Temp | 80 CRI | 90 CRI |
|------------|--------|--------|
| 3000K | 0.984 | 0.880 |
| 3500K | 1.000 | 0.875 |
| 4000K | 1.032 | 0.879 |

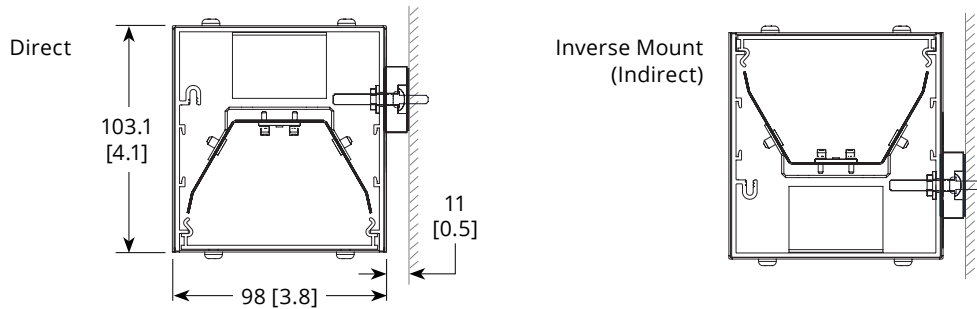
Metalumen's light level performance metrics are subject to manufacturers component tolerances.

BLOCK MOUNTING DETAIL



- Step 1**
Feed Power through the wire entry hole in the Mullion block and connect power within the Luminaire.
- Step 2**
Insert Carriage bolt in to Mullion Block before Fastening Block to Wall.
- Step 3**
Fasten the Mullion Block to the wall with fasteners by others.
- Step 4**
Attach Luminaire to the Mullion block by securing the Luminaire Mount nut onto the carriage bolt inside the Luminaire.

CROSS SECTIONS



SPECIFICATIONS

Due to the Continuous Improvement Policy at Metalumen, we reserve the right to change our specifications without notice.

Housing: Rigid extruded aluminum body, 2.0mm (0.08") nominal wall thickness. Aluminum formed end caps.

Optical System: Metalumen luminaires are designed to utilize leading edge LED technology combined with luminaire optimized reflectors and our custom diffusers, resulting in industry leading optical performance.

CRI: 83+ for 3500K, 80 minimum for all CCTs in standard configurations.

Lumen Maintenance: Minimum 50,000h with TM-21 lumen maintenance of 85% @ 25°C ambient temperature (calculated based on IESNA LM-80-08 LED test data). L70: ≥ 60 000hrs.

Finish: Satin aluminum, white and black are standard with a natatorium finish. Exceeds 4000 salt spray hours (ASTM B117). For custom colors, contact factory.

Weight: 2.1 kg/300mm [4.6 lb/ft]

Mounting: Mullion mount bracket provided. Inverse mounting option is suitable for exterior use with full overhead coverage similar to canopy. Not acceptable for direct sky or extreme weather conditions.

Drivers: Metalumen offers 0-10V dimming* as a standard on our entire LED product offering. Dimming range is 1%-100%. Power factor is > 90%. Class 2 rating. Drivers are integral. Consult factory for -40 drivers.

Approvals: All components are UL/ CSA/QPS recognized or listed. RoHS compliant. This product is cULus listed.

Environment: Suitable for wet locations -22°F / -30°C start ambient temperature. Suitable for natatorium environments.

**Standard drivers compatible with passive/ sinking dimmers. Please contact Metalumen if active/sourcing dimmer support is required.*

WARRANTY

Metalumen will warrant defective luminaires for 5 years from date of purchase. Warranty is valid if luminaire is installed and used according to specification. If defective, Metalumen will send replacement boards or drivers at no cost along with detailed replacement instructions and instructions on how to return defective components to Metalumen.