

IS-0240-03 rev.01

**GRANDE RECESSED DRYWALL LED  
INSTALLATION INSTRUCTIONS**

**NOTE**

The following instructions provide general guidelines for product installation. For additional information consult the applicable electrical codes or contact factory directly for support before attempting anything with uncertainty.

**CAUTION**

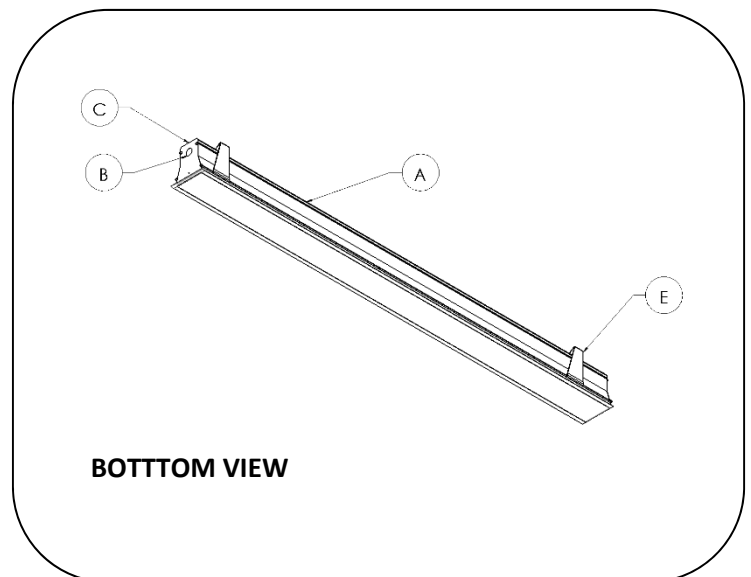
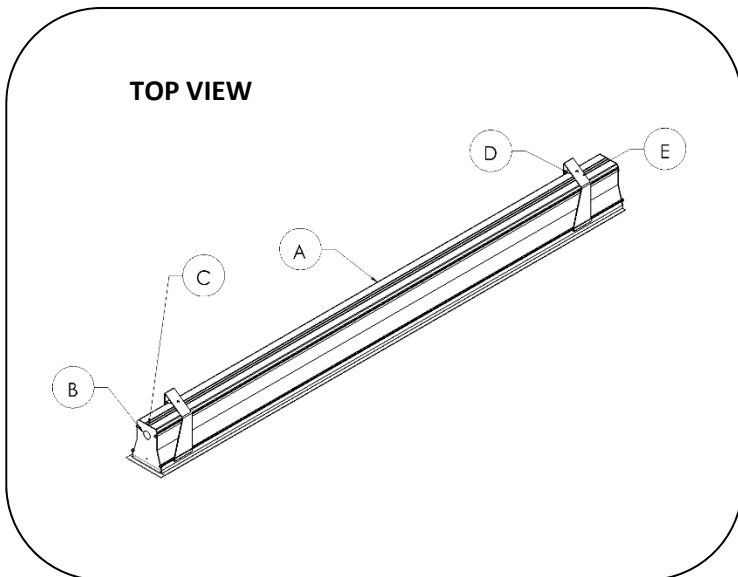
Do not assemble fixture runs on floor.

**WARNING**

Risk of fire and electrical shock. **DISCONNECT POWER AT ELECTRICAL PANEL** before installing or servicing this product.

**General Safety Instructions**

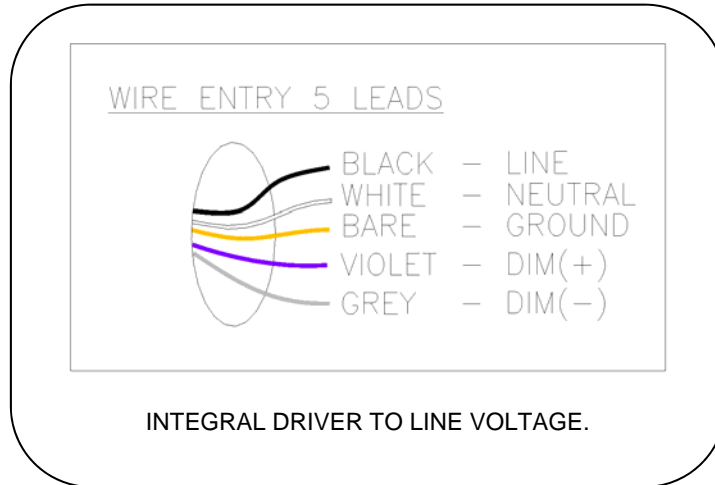
- Read all instructions prior to installing this fixture.
- This product must be installed in accordance with the applicable installation code by a person familiar with the construction and operation of the product and the hazards involved.
- All wiring must be performed by a qualified electrician in accordance with national and local building and electrical codes.
- This fixture must be suitably grounded for your protection against shock hazards and to assure proper operation.
- Make sure that the power source conforms to the requirements of this fixture.



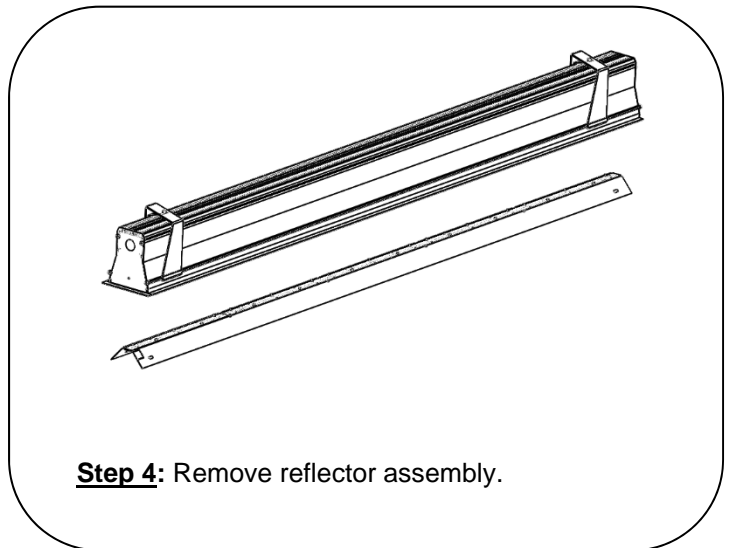
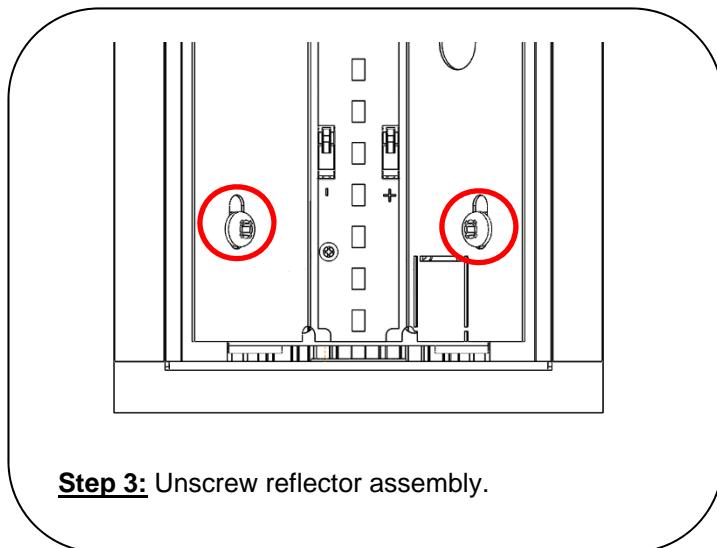
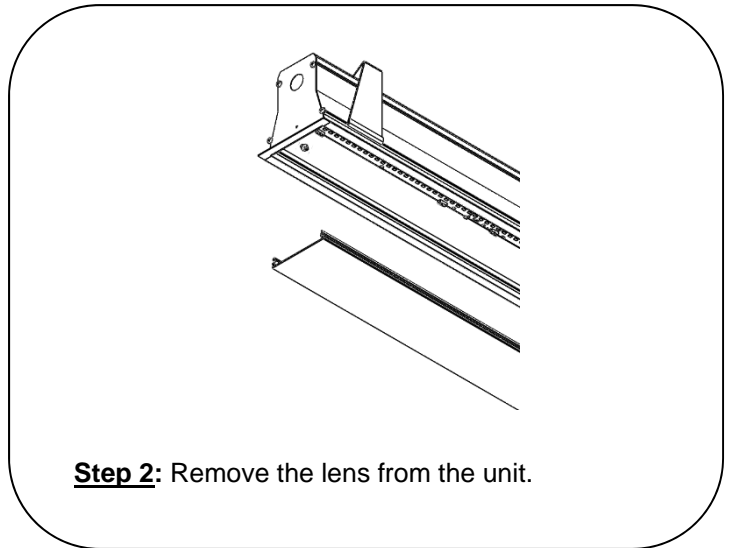
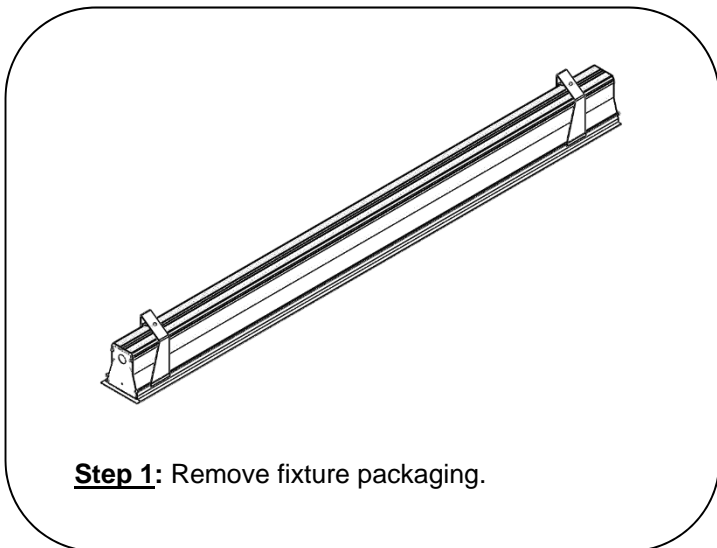
**PARTS LIST:**

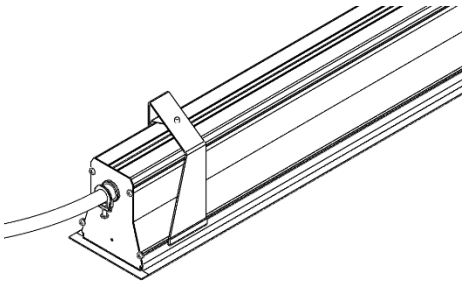
- A. LUMINAIRE**
- B. WIRE ENTRY KNOCKOUT**
- C. ENDPLATE**
- D. SPRING CLIP**
- E. DRYWALL BRACKET**

**WIRING DIAGRAM**

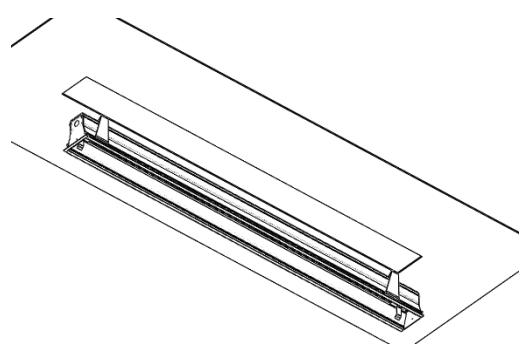


**INSTALLATION STEPS**

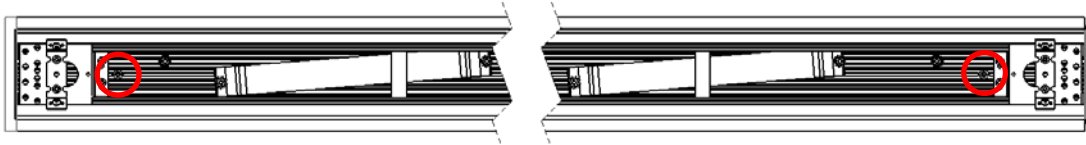
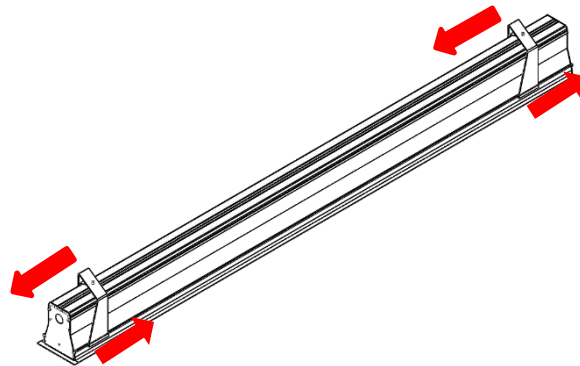




**Step 5:** Knock out and install BX connector (Supplied by others). Feed BX cable (supplied by others) through connector and end plate. Tighten BX connector screw cable to wire entry plate. Reinstall reflector and lens

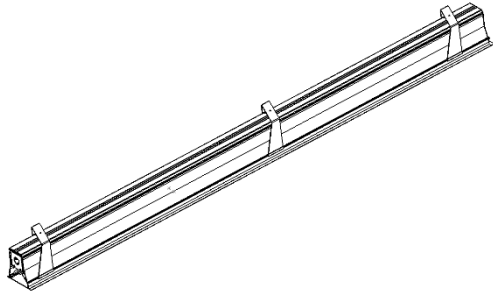


**Step 6:** Insert fixture into drywall cut out in ceiling. Ensure that the drywall brackets are turned inward so the flanges are parallel to the fixture body.

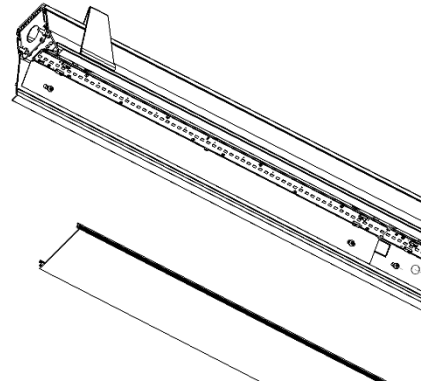


**Step 7:** Attach fixture to ceiling by turning the screws attached to the drywall brackets. The brackets will rotate over the drywall to secure the fixture. Reinstall the reflector assembly and the lens.

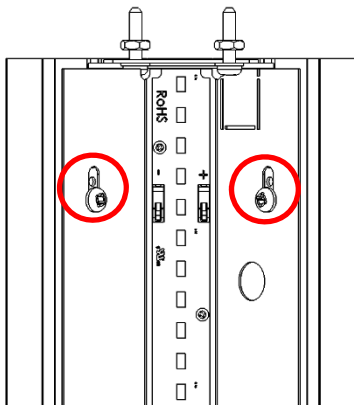
**CONTINUOUS RUN STEPS**



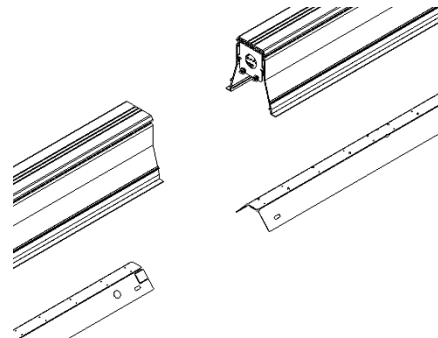
**Step 1:** For continuous runs, install Start fixture first. (As per Steps 1 to 7)



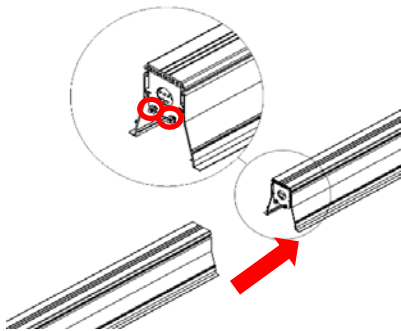
**Step 2:** Remove the lens from both fixtures to be joined.



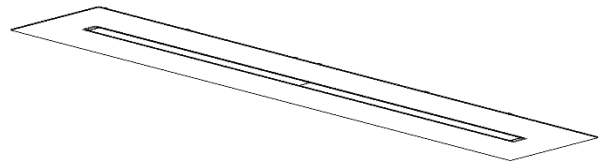
**Step 3:** Unscrew the reflector assembly at the joining end of both fixtures.



**Step 4:** Remove reflector assembly on joining end to access the joining brackets.



**Step 5:** Align mid/end fixture and slide it into place. Secure with joining hardware. Reinstall reflector assembly and lens in both fixtures. Perform necessary wiring between fixtures.



**Step 6:** Example of completed continuous run.

**MAINTENANCE STEPS**

**Required Tools:**

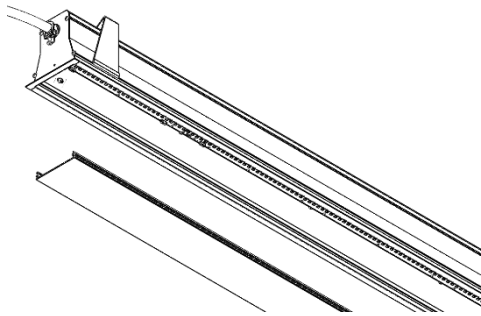


PLASTIC / LATEX GLOVES

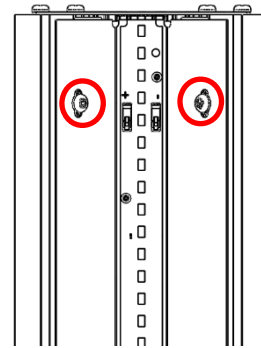


SCREWDRIVER

*Important: Use clean gloves to avoid adding oil/dirt to reflector surface. Avoid scratching reflector surface by using installation tools with soft plastic rounded edges.*



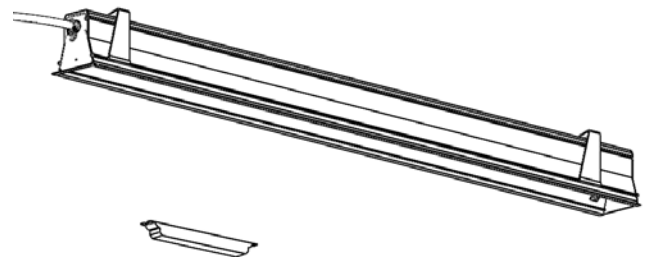
**Step 1:** For LED board and driver maintenance, remove the lens from the bottom of the unit. The LED boards are now accessible.



**Step 2:** For driver maintenance, first unscrew the reflector assembly.



**Step 3:** Remove reflector assembly from unit.



**Step 4:** Remove and service driver as required.