



IS-0241-02 rev.00

## GRANDE SURFACE LUMINAIRE JOINING INSTRUCTIONS

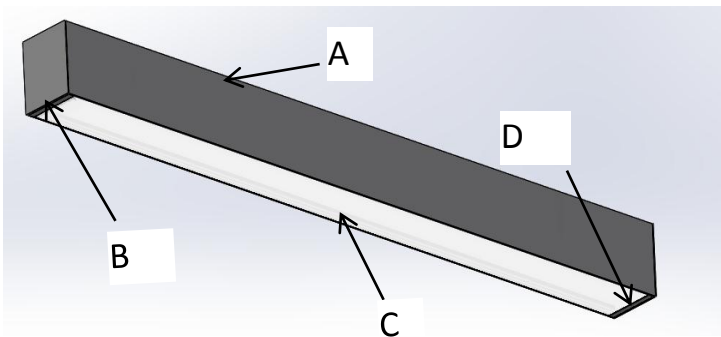
**NOTE:** The following instructions provide general guidelines for product installation. For additional information consult the applicable electrical codes or contact factory directly for support before attempting anything with uncertainty.

**CAUTION:** Do not assemble fixture runs on floor.

**WARNING:** Risk of fire and electrical shock. **DISCONNECT POWER AT ELECTRICAL PANEL** before installing or servicing this product.

### General Safety Instructions:

1. Read all instructions prior to installing this fixture.
2. This product must be installed in accordance with the applicable installation code by a person familiar with the construction and operation of the product and the hazards involved.
3. All wiring must be performed by a qualified electrician in accordance with national and local building and electrical codes.
4. This fixture must be suitably grounded for your protection against shock hazards and to assure proper operation.
5. Make sure that the power source conforms to the requirements of this fixture.



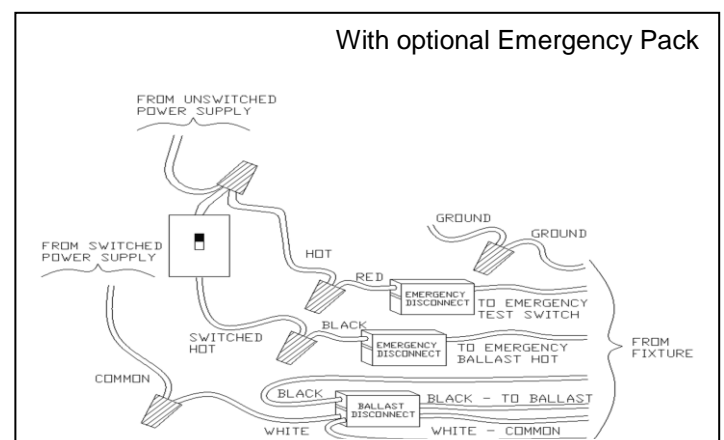
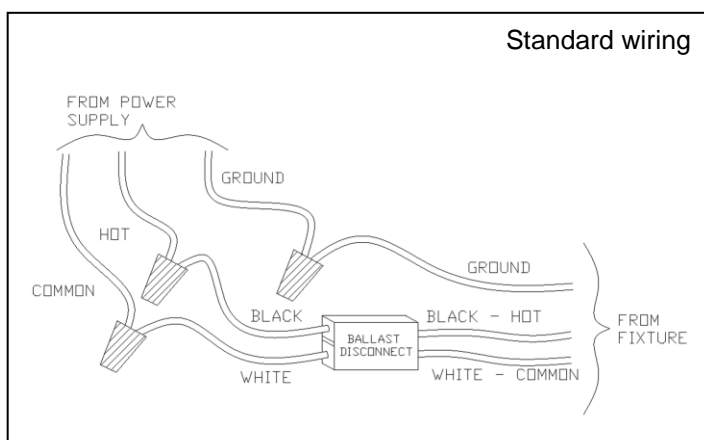
### MAIN PARTS LIST:

- A. Luminaire enclosure
- B. End Plate
- C. Lens
- D. Filler & Magnet

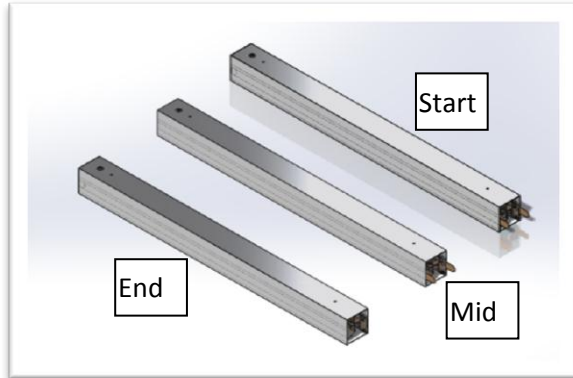
### OTHER PARTS:

- Reflector
- Lamp (supplied or by others)

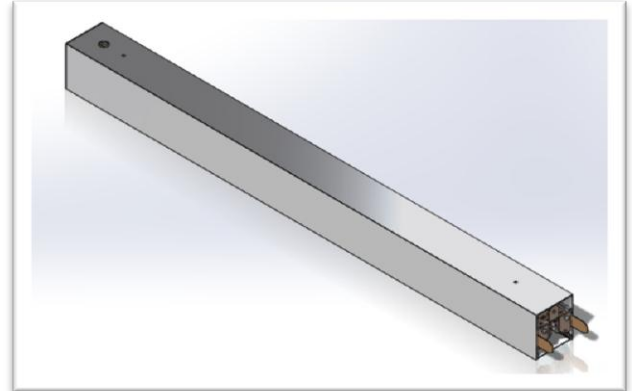
### Wiring Diagram:



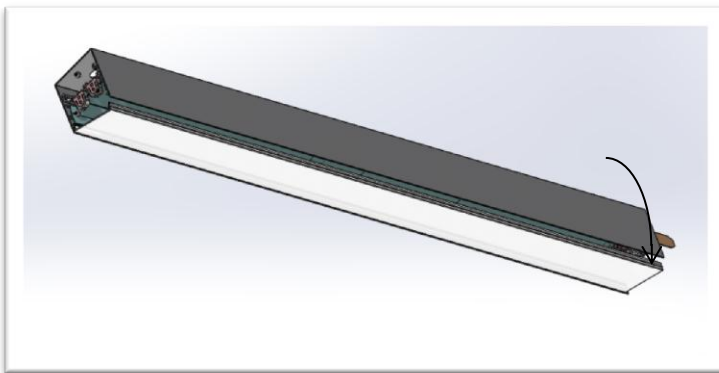
IS-0241-02 rev.00

**GRANDE SURFACE****LUMINAIRE JOINING INSTRUCTIONS****Step-by-step Instructions:**

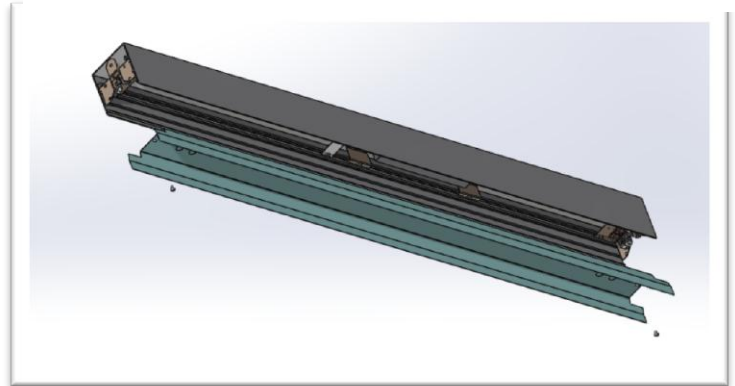
**Step 1:** Remove fixture packaging; note marked supply wires coming out at the top of the luminaire.



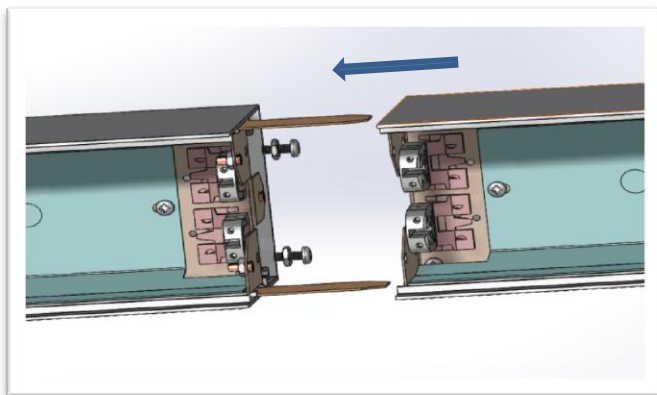
**Step 2:** Install Start luminaire following standard installation instructions. Do not apply power to the fixture.



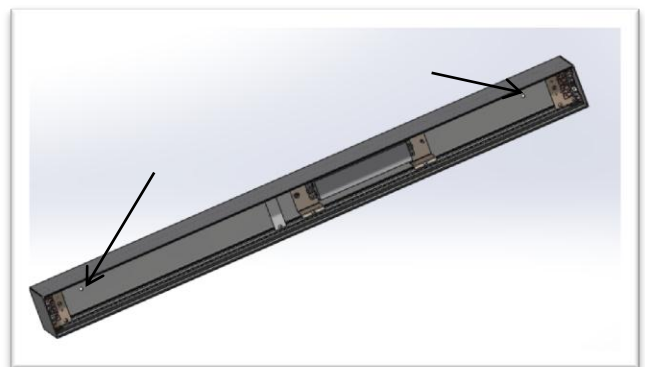
**Step 3:** Remove lens (C) from Middle or End luminaire. Starting at one end; pull one side first, rotate and detach. Keep lens.



**Step 4:** Remove reflector mounting screws and reflector. Note fixtures with optional emergency pack have a test switch and indicator light mounted on the reflector.



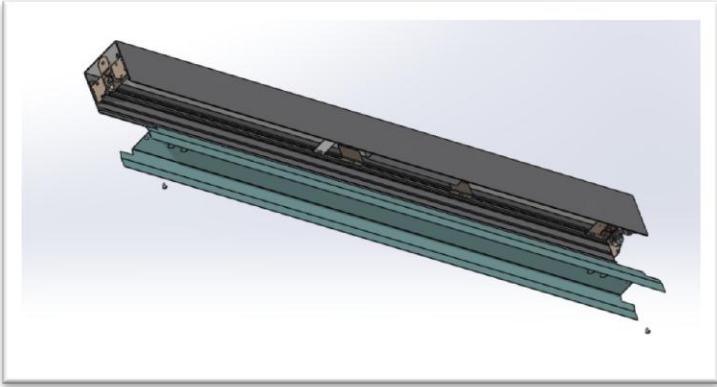
**Step 5:** Bring fixture with the wire entry end close to the Start fixture joiner end. Attach Middle or End fixture to the Start fixture joiner end by inserting aligners from start fixture into mid/end; Make electrical connection between fixtures; place screw thru lamp socket holes and tightening with nuts to join up fixtures. Perform wiring at switch box.



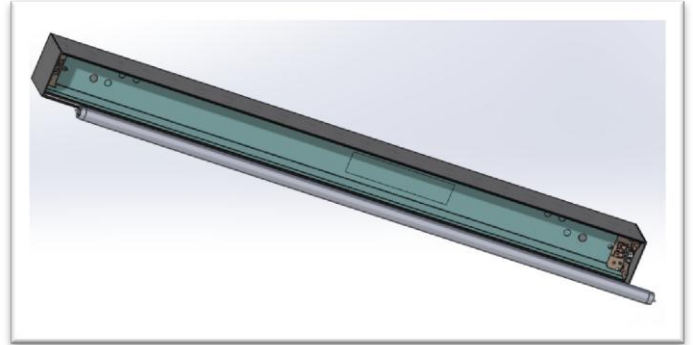
**Step 6:** Install and secure fixture to the mounting surface (fasteners by others).

IS-0261-02 rev.00  
**GRANDE OUTDOOR SURFACE**  
LUMINAIRE JOINING INSTRUCTIONS

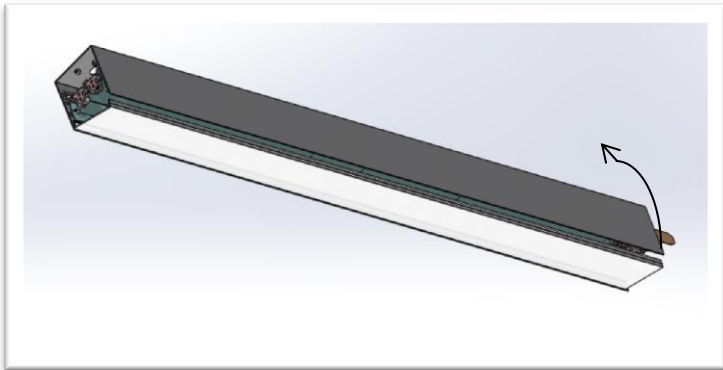
**Step-by-step Instructions:**



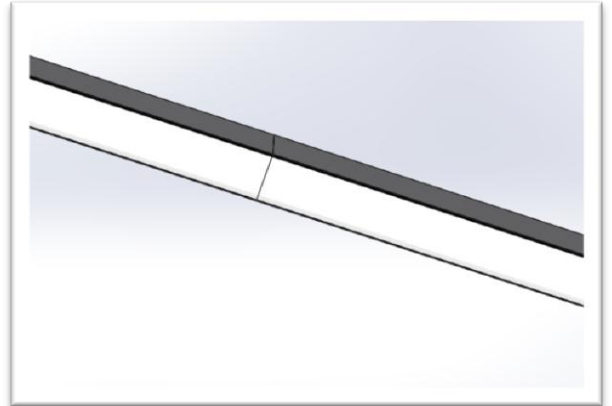
Step 7: Re-attach reflector with (2) mounting screws.



Step 10: Install lamp(s).



Step 11: Re-attach lens. Start with one side first and close the other side starting from the corner.



Join luminaires. Complete remaining fixtures installation as needed.