

IS-0241-01 rev.01

**GRANDE SURFACE MOUNT LED
INSTALLATION INSTRUCTIONS**

NOTE

The following instructions provide general guidelines for product installation. For additional information consult the applicable electrical codes or contact factory directly for support before attempting anything with uncertainty.

CAUTION

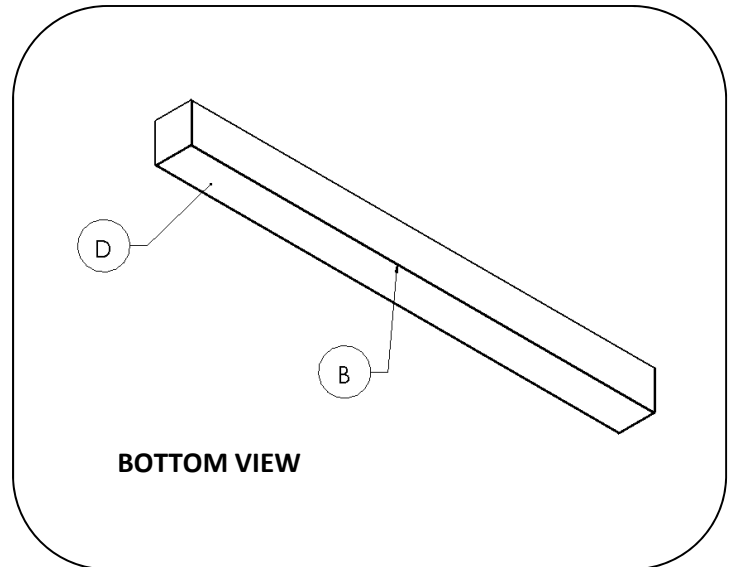
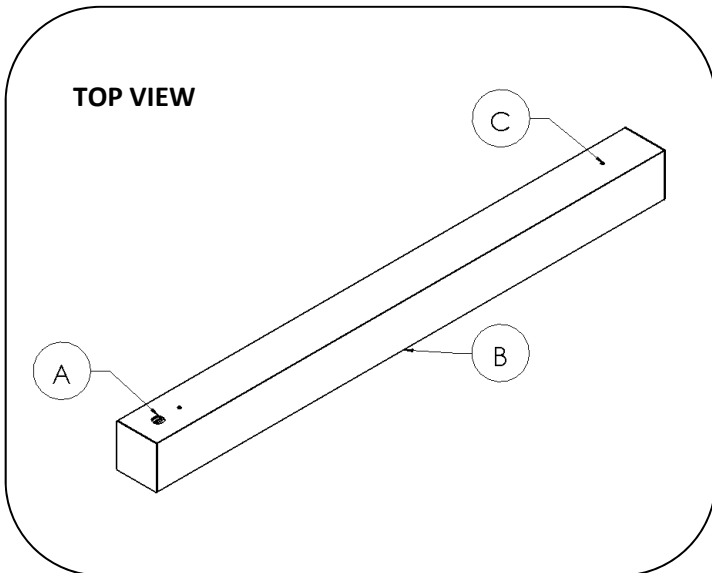
Do not assemble fixture runs on floor.

WARNING

Risk of fire and electrical shock. **DISCONNECT POWER AT ELECTRICAL PANEL** before installing or servicing this product.

General Safety Instructions

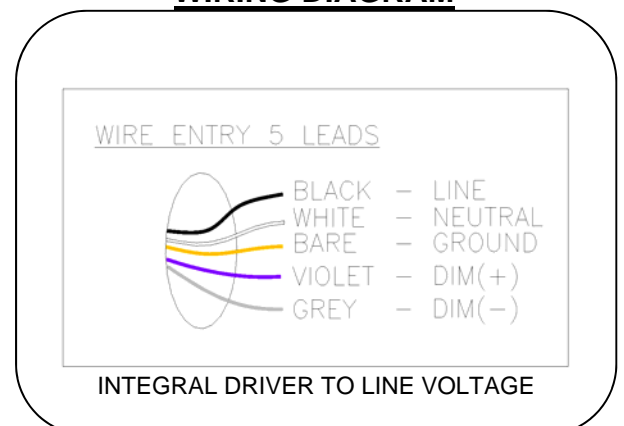
- Read all instructions prior to installing this fixture.
- This product must be installed in accordance with the applicable installation code by a person familiar with the construction and operation of the product and the hazards involved.
- All wiring must be performed by a qualified electrician in accordance with national and local building and electrical codes.
- This fixture must be suitably grounded for your protection against shock hazards and to assure proper operation.
- Make sure that the power source conforms to the requirements of this fixture.



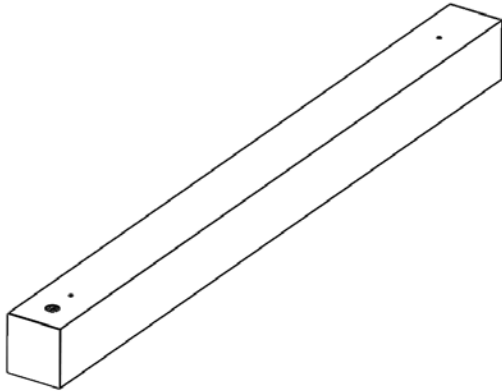
PARTS LIST:

- A. WIRE ENTRY HOLE**
- B. LUMINAIRE**
- C. MOUNTING HOLE**
- D. LENS**

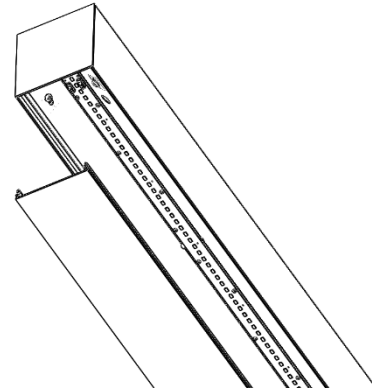
WIRING DIAGRAM



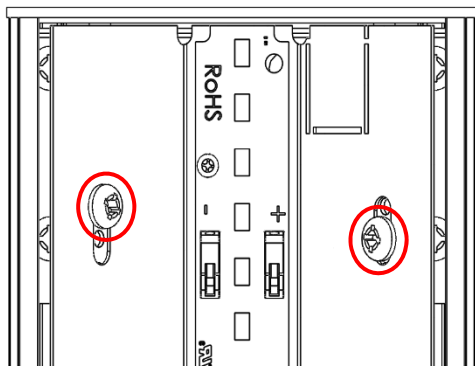
INSTALLATION STEPS



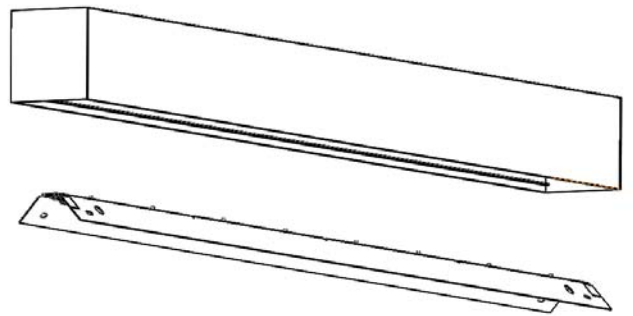
Step 1: Remove fixture packaging.



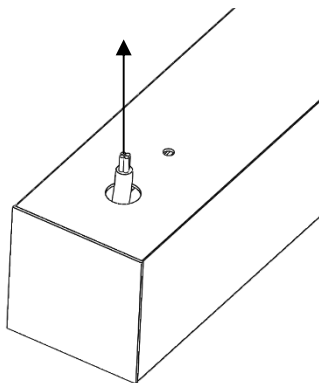
Step 2: Remove the lens from the unit.



Step 3: Unscrew the reflector assembly.



Step 4: Remove reflector assembly.

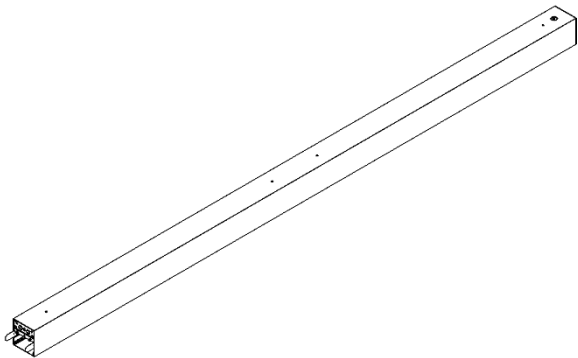


Step 5: Run wires through junction box and out through the hole in the top of the fixture.

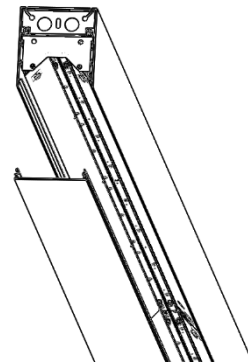


Step 6: Attach fixture to ceiling using screws (supplied by others) through the holes in the extrusion. Ensure the fixture is secured to a sufficiently strong structure. Reinstall reflector assembly and lens.

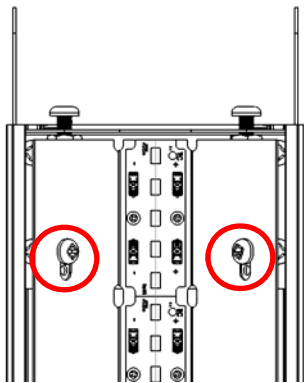
CONTINUOUS RUN STEPS



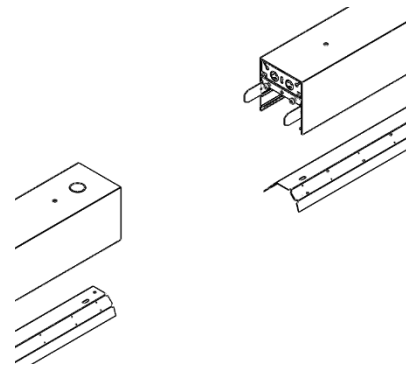
Step 1: For continuous runs, install Start fixture first. (As per Steps 1 to 6)



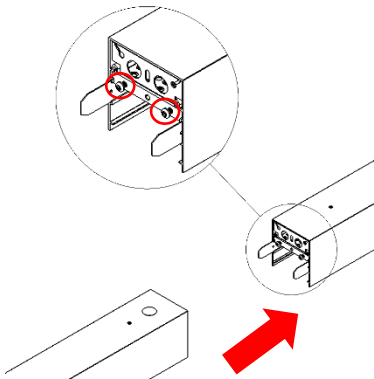
Step 2: Remove the lens from both fixtures to be joined.



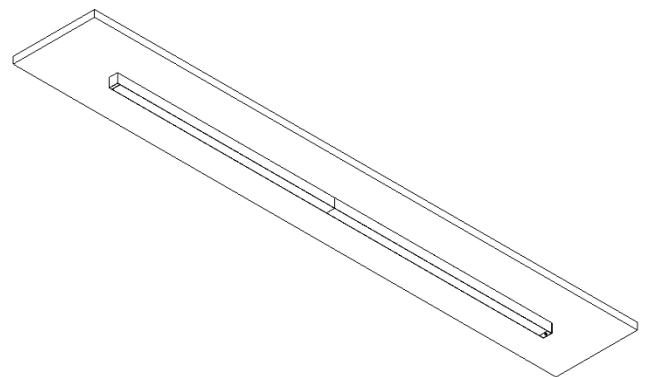
Step 3: Unscrew the reflector assembly at the joining end of both fixtures.



Step 4: Remove reflector assembly on joining end to access the joining brackets.



Step 5: Align mid/end fixture and slide it into place. Secure with joining hardware. Reinstall reflector assembly and lens in both fixtures. Perform necessary wiring between fixtures.



Step 6: Example of completed continuous run.

MAINTENACE STEPS

Required Tools:

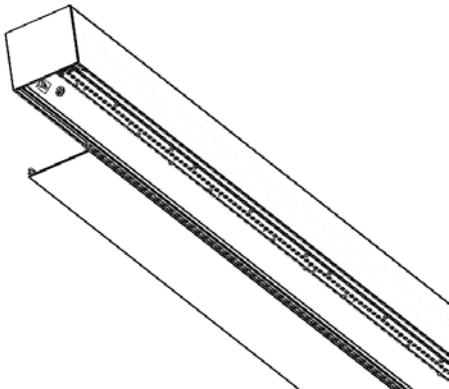


PLASTIC / LATEX GLOVES

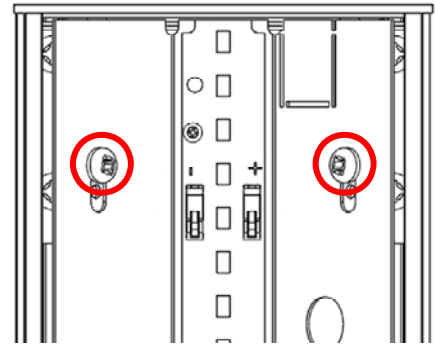


SCREWDRIVER

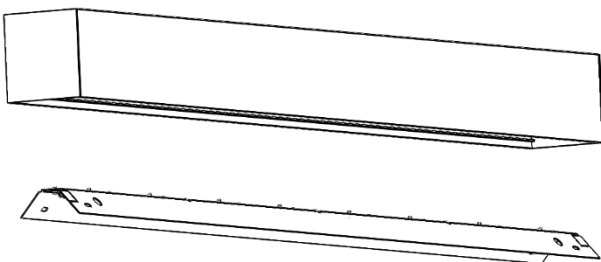
Important: Use clean gloves to avoid adding oil/dirt to reflector surface. Avoid scratching reflector surface by using installation tools with soft plastic rounded edges.



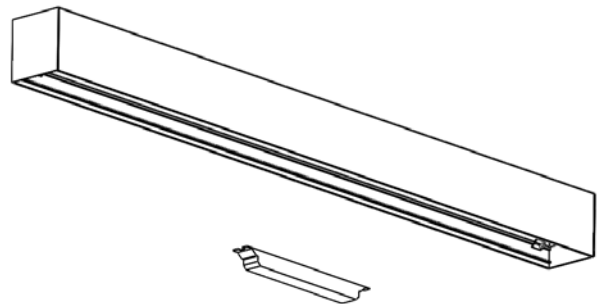
Step 1: For LED board and driver maintenance, remove the lens from the bottom of the unit. LED boards are now accessible.



Step 2: For driver maintenance, first unscrew the reflector assembly.



Step 3: Remove reflector assembly from unit.



Step 4: Remove and service driver as required.