

IS-0243-02 rev.00

GRANDE WALL MOUNT LUMINAIRE JOINING INSTRUCTIONS

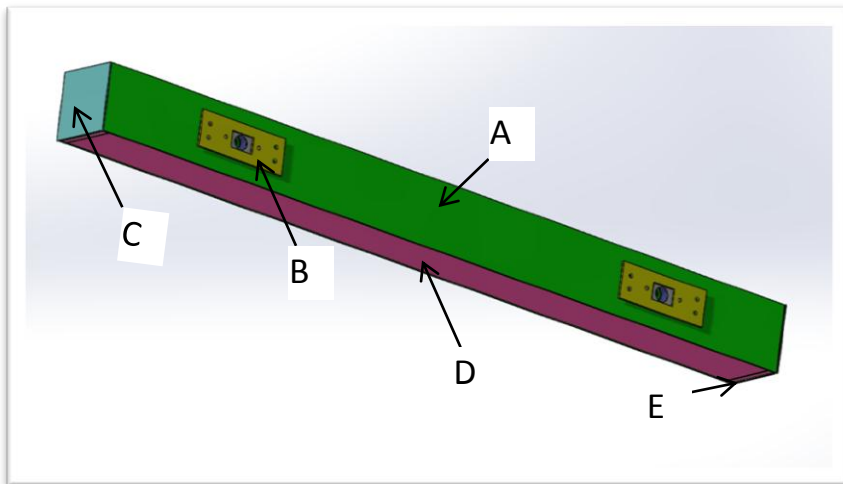
NOTE: The following instructions provide general guidelines for product installation. For additional information consult the applicable electrical codes or contact factory directly for support before attempting anything with uncertainty.

CAUTION: Do not assemble fixture runs on floor.

WARNING: Risk of fire and electrical shock. **DISCONNECT POWER AT ELECTRICAL PANEL** before installing or servicing this product.

General Safety Instructions:

1. Read all instructions prior to installing this fixture.
2. This product must be installed in accordance with the applicable installation code by a person familiar with the construction and operation of the product and the hazards involved.
3. All wiring must be performed by a qualified electrician in accordance with national and local building and electrical codes.
4. This fixture must be suitably grounded for your protection against shock hazards and to assure proper operation.
5. Make sure that the power source conforms to the requirements of this fixture.



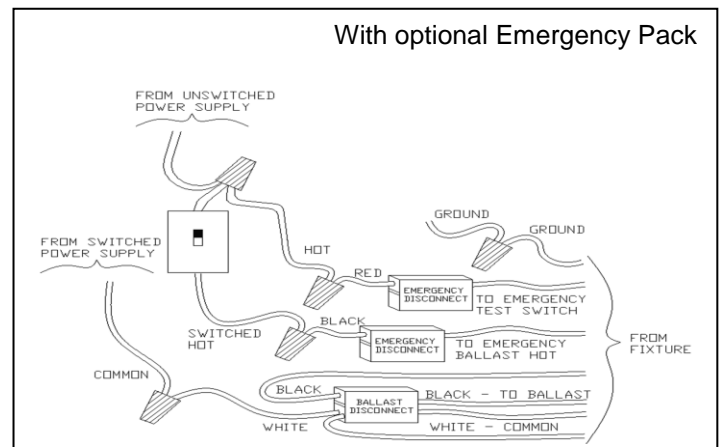
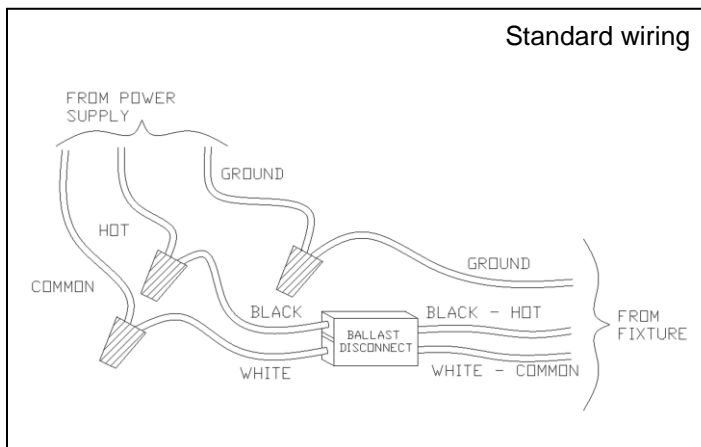
MAIN PARTS LIST:

- A. Luminaire enclosure
- B. Wall mounting plate
- C. End plate
- D. Lens
- E. Filler & Magnet

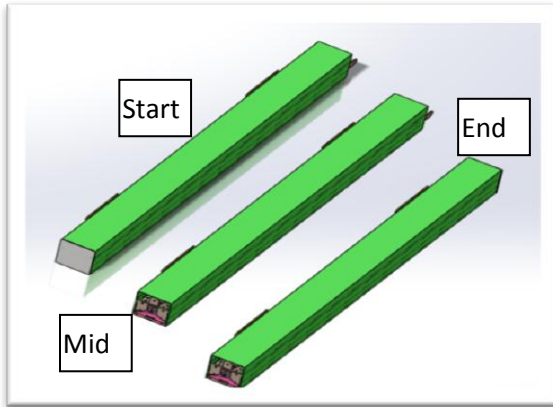
OTHER PARTS:

- Reflector
- Lamp (supplied or by others)
- Electrical box (by others)
- Fasteners (by others)

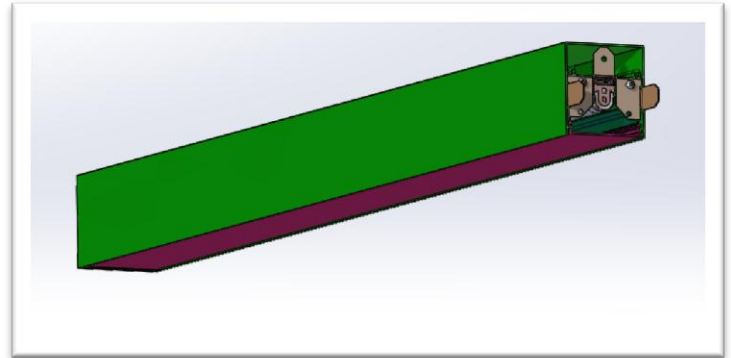
Wiring Diagram:



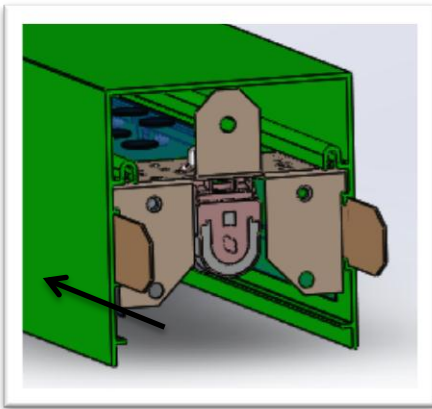
IS-0243-02 rev.00

**GRANDE WALL MOUNT
LUMINAIRE JOINING INSTRUCTIONS**
Step-by-step Instructions:


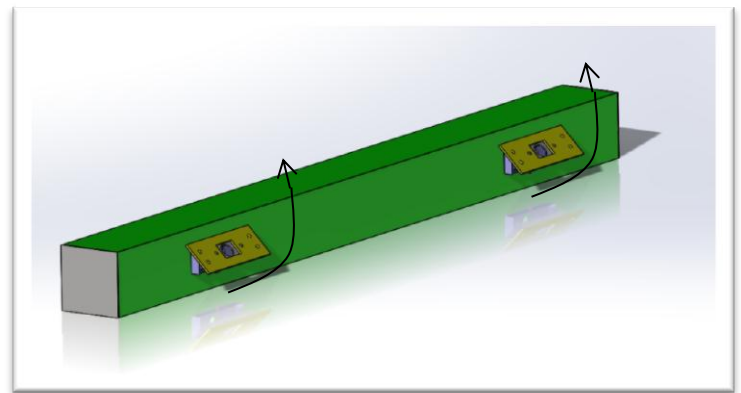
Step 1: Remove fixture packaging; note marked supply wires coming out at the back of the luminaire.



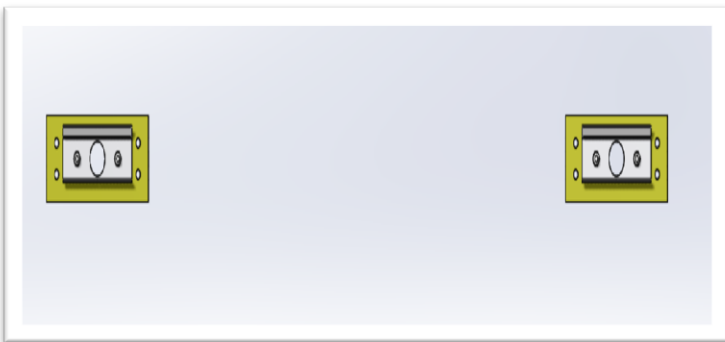
Step 2: Install Start luminaire following standard installation instructions. Keep lens and reflector removed. Do not apply power to the fixture.



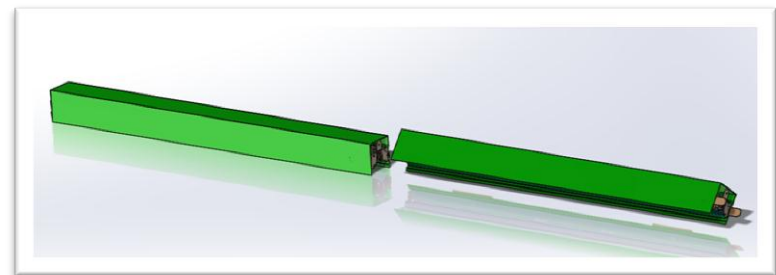
Step 3: At the joiner end of the Start fixture: remove end screws. Also remove all end screws from the next fixture to be installed in the row (Middle or End luminaire) at the joining end only. Keep all parts. Slide extrusion aligners back into start fixture.



Step 4: Remove (1) mounting screw from each of the (2) wall brackets on the Middle or End luminaire. Swing out wall mounting plates (B) and detach from luminaire. Keep all parts.



Step 5: Use mounting plate and mounting location diagram to mark location of mounting fasteners (by others). Repeat for remainder of run.

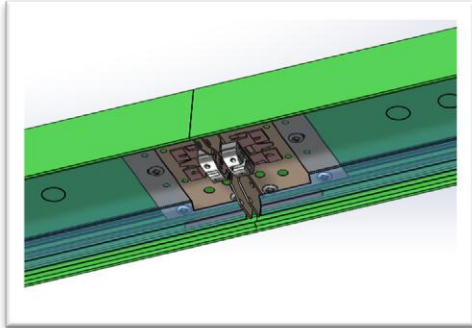


Step 6: Attach Middle or End luminaire to wall plates. With luminaire attached to the wall plates and rotated about 45 degrees, perform electrical wiring. Optional emergency ballast must be fed from the same branch circuit as the AC ballast.

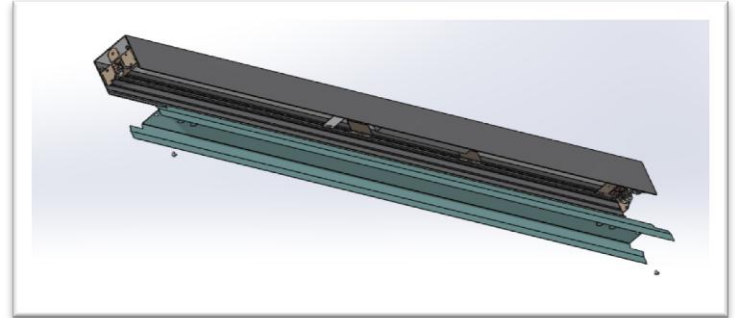
IS-0263-02 rev.00

**GRANDE OUTDOOR WALL
LUMINAIRE JOINING INSTRUCTIONS**

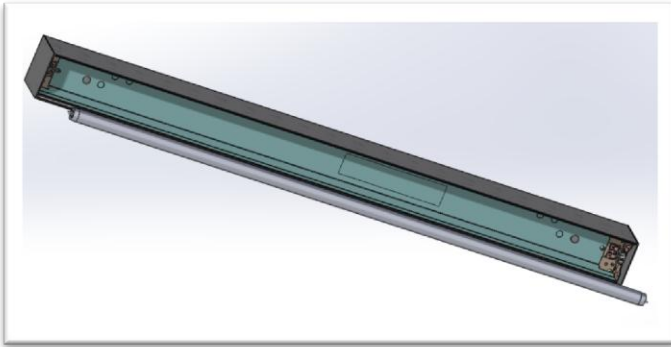
Step-by-step Instructions:



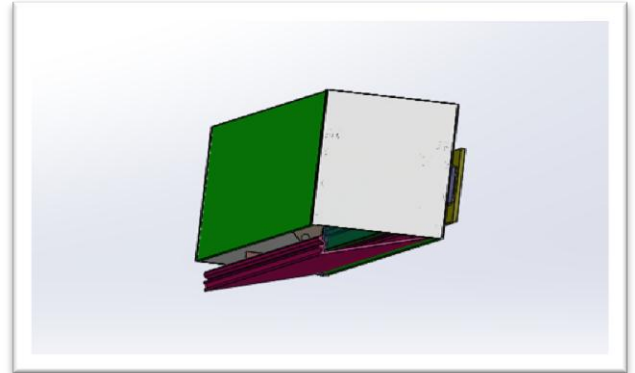
Step 7: Complete luminaire attachment to wall plates and secure it in place by re-attaching (2) wall bracket mounting screws. Make sure supply wires are not pinched while performing this step. Slide extrusion aligner into joining fixture. Then place screw through lamp socket holes and tighten.



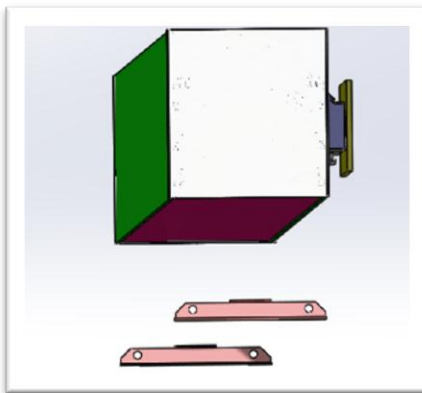
Step 8: Reflector can be installed now only if access to ballast is not required. Note fixtures with optional emergency pack have a test switch and indicator light mounted on the reflector.



Step 9: Install lamp(s).



Step 10: Re-attach lens. Start with one side first and close the other side starting from the corner.



Step 11: Re-attach Filler & Magnet & Complete remaining fixtures installation as needed.