

IS-0261-01 rev.00

**GRANDE OUTDOOR SURFACE  
INSTALLATION INSTRUCTIONS**

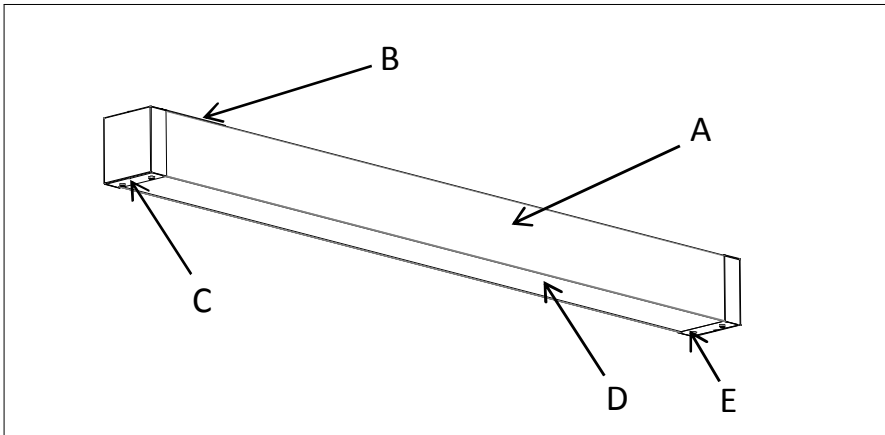
**NOTE:** The following instructions provide general guidelines for product installation. For additional information consult the applicable electrical codes or contact factory directly for support before attempting anything with uncertainty.

**CAUTION:** Do not assemble fixture runs on floor.

**WARNING:** Risk of fire and electrical shock. **DISCONNECT POWER AT ELECTRICAL PANEL** before installing or servicing this product.

**General Safety Instructions:**

1. Read all instructions prior to installing this fixture.
2. This product must be installed in accordance with the applicable installation code by a person familiar with the construction and operation of the product and the hazards involved.
3. All wiring must be performed by a qualified electrician in accordance with national and local building and electrical codes.
4. This fixture must be suitably grounded for your protection against shock hazards and to assure proper operation.
5. Make sure that the power source conforms to the requirements of this fixture.



**MAIN PARTS LIST:**

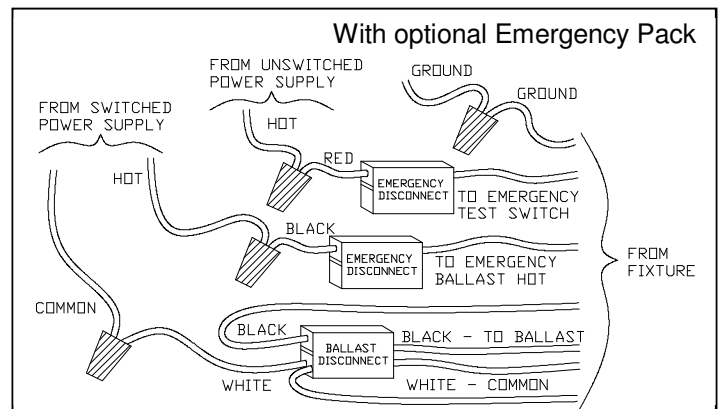
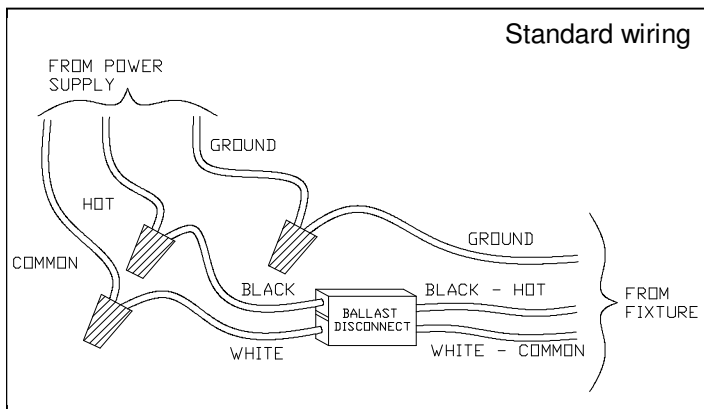
- A. Luminaire enclosure
- B. Top gasket
- C. End plate
- D. Lens
- E. End screw

**OTHER PARTS:**

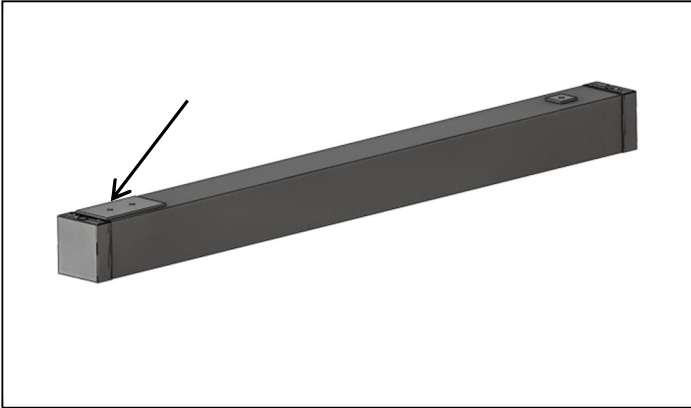
- Reflector
- Lamp (supplied or by others)
- Electrical switch box (by others)
- Fasteners (by others)

**Important note:** See wire entry and mounting holes location diagram at page 4 of this document.

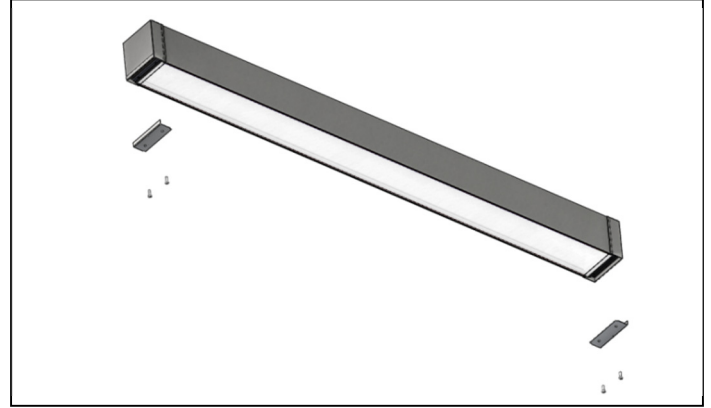
**Wiring Diagram:**



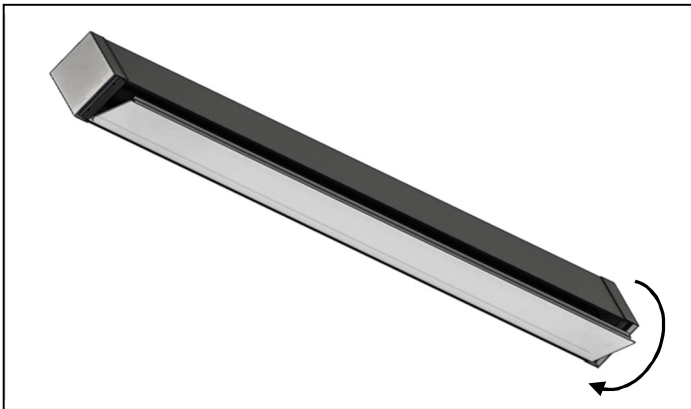
IS-0261-01 rev.00

**GRANDE OUTDOOR SURFACE  
 INSTALLATION INSTRUCTIONS**
**Step-by-step Instructions:**


**Step 1:** Remove fixture packaging; note marked supply wires coming out at the top of the luminaire.



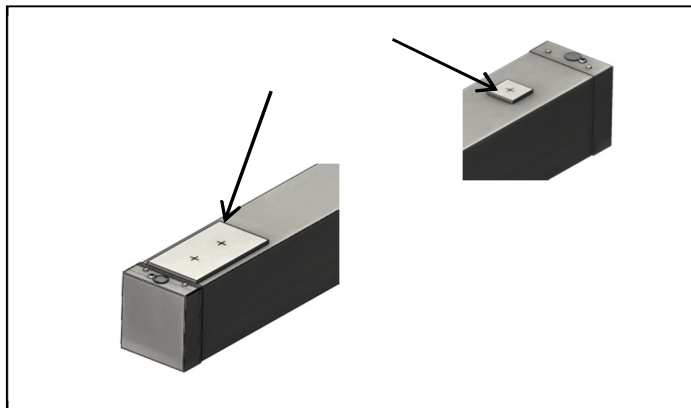
**Step 2:** Remove end screws (E) and end plates (C). Keep all parts.



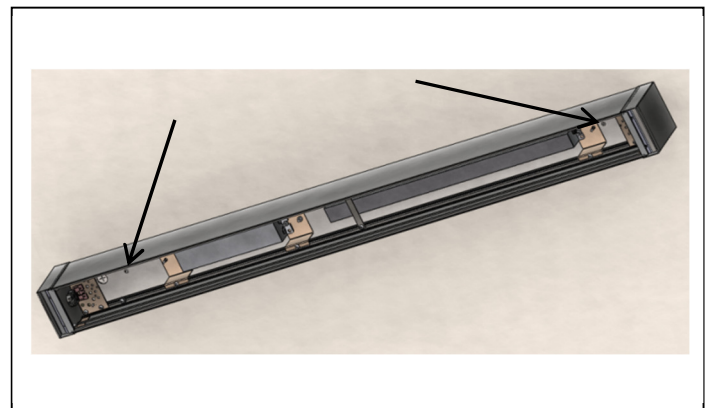
**Step 3:** Remove lens (D) starting at one end. Pull one side first, rotate and detach. Keep lens.



**Step 4:** Remove reflector mounting screws and reflector. Note fixtures with optional emergency pack have a test switch and indicator light mounted on the reflector.



**Step 5:** If mounting surface is uneven, apply silicone caulking on the perimeter of all top mounting gaskets (B) to ensure proper water tightness around wire entry and mounting holes.

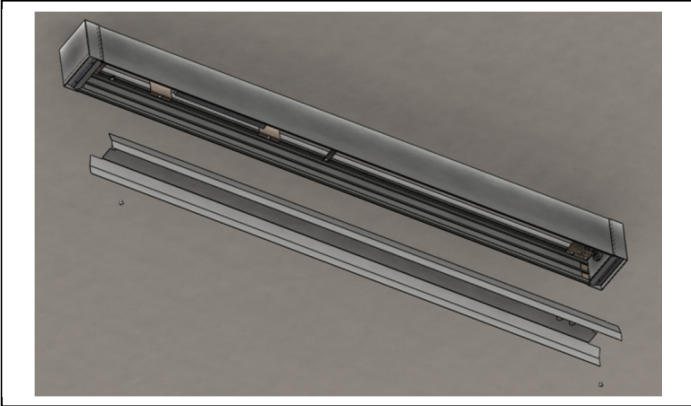


**Step 6:** Perform electrical wiring. Install and secure fixture to mounting surface (fasteners by others). Make sure electrical switch box is completely covered by fixture top gasket. Optional emergency ballast must be fed from the same branch circuit as the AC ballast.

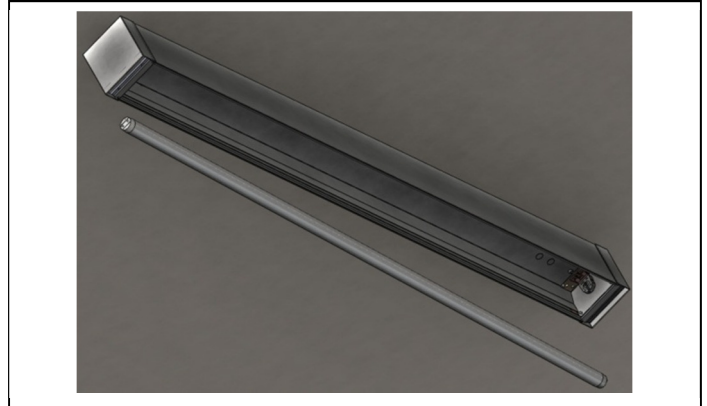
IS-0261-01 rev.00

**GRANDE OUTDOOR SURFACE**  
INSTALLATION INSTRUCTIONS

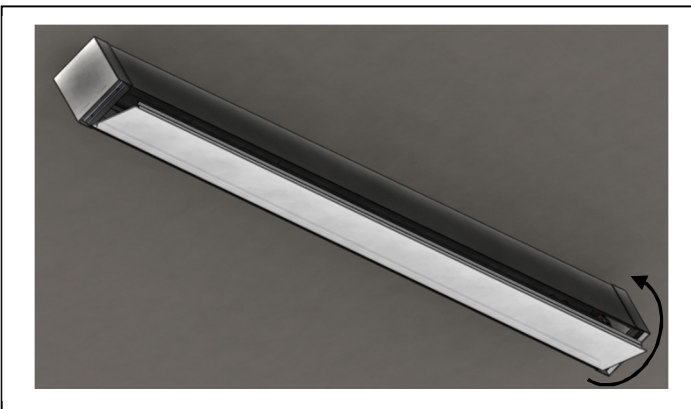
**Step-by-step Instructions:**



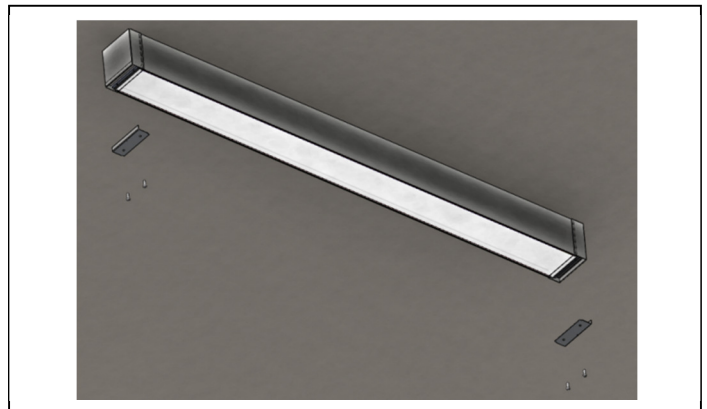
Step 7: Re-attach reflector with (2) mounting screws.



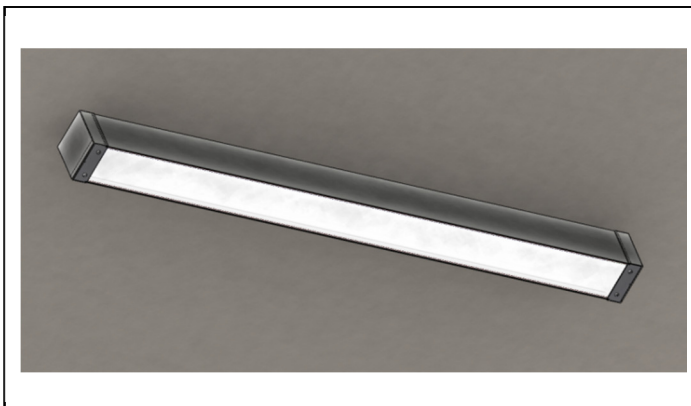
Step 8: Install lamp(s).



Step 9: Re-attach lens. Start with one side first and close the other side starting from the corner. Make sure lens gaskets are in place and compressed between lens and fixture housing.



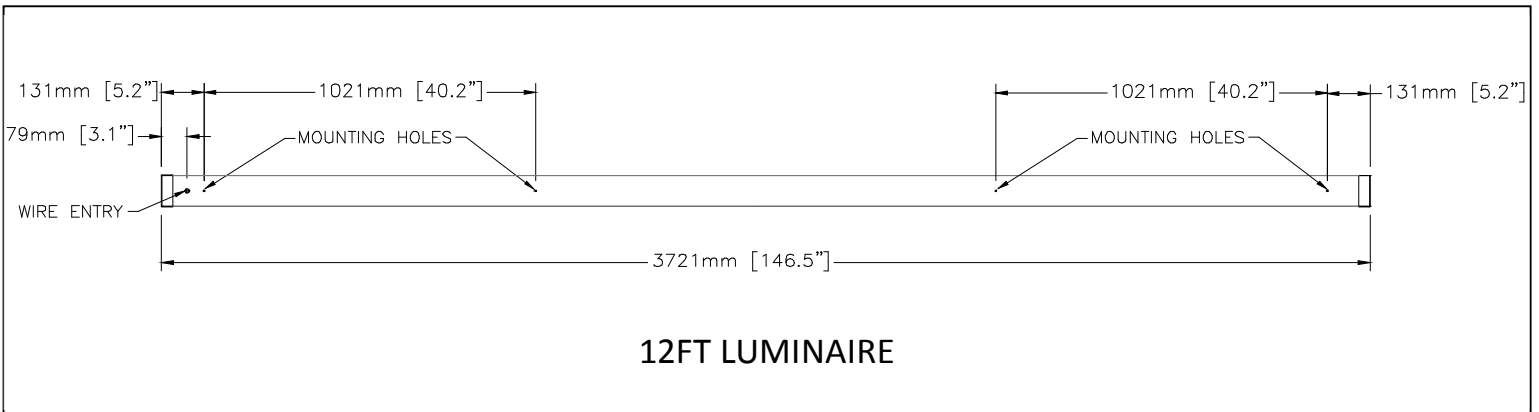
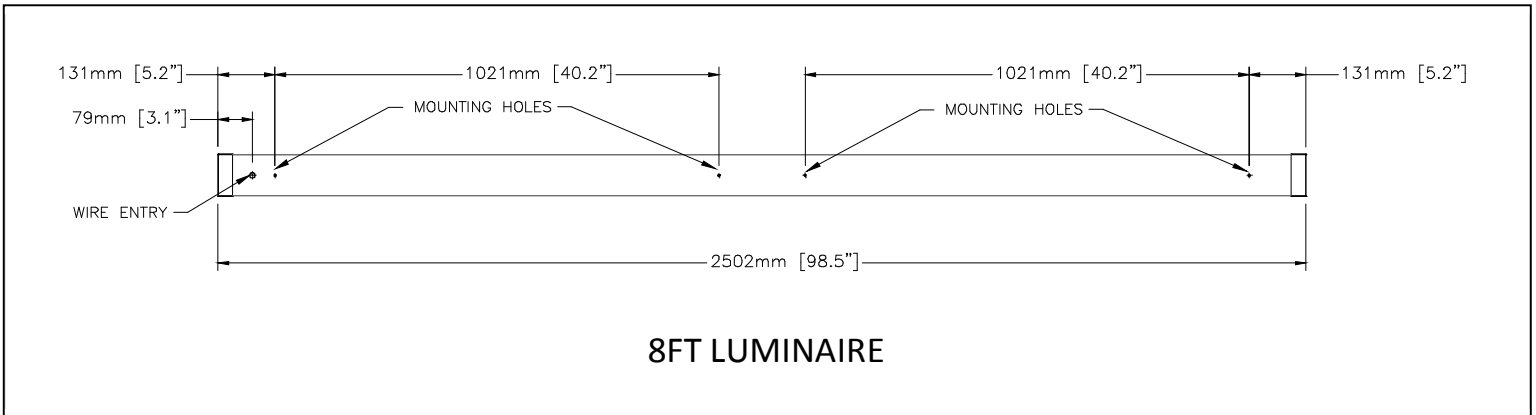
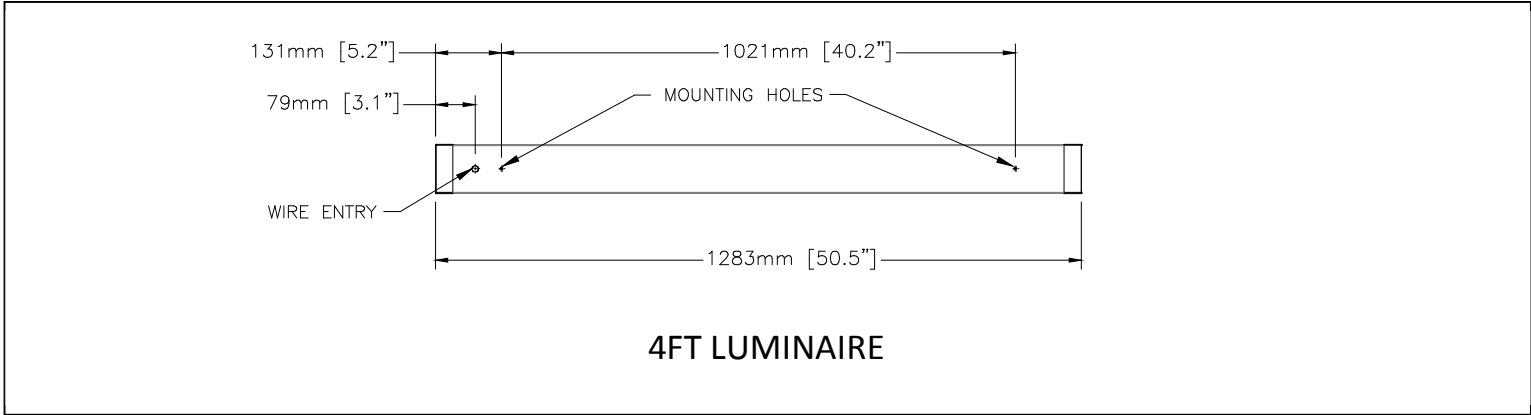
Step 10: Re-attach end plates with (4) end screws.



Installed fixture.

**IS-0261-01 rev.00**  
**GRANDE OUTDOOR SURFACE**  
**INSTALLATION INSTRUCTIONS**

**Wire entry and mounting holes location Diagram:**



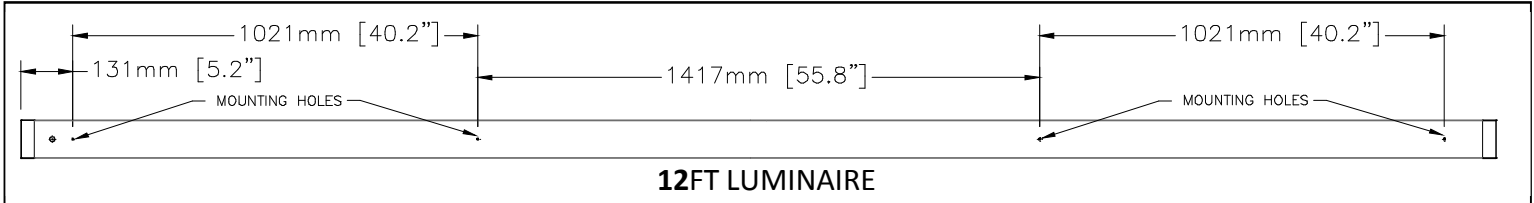
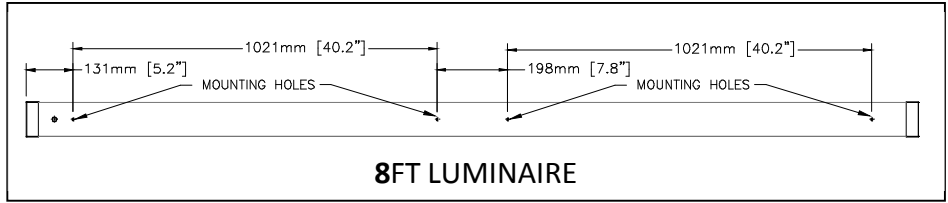
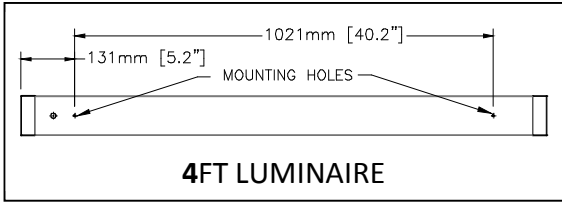




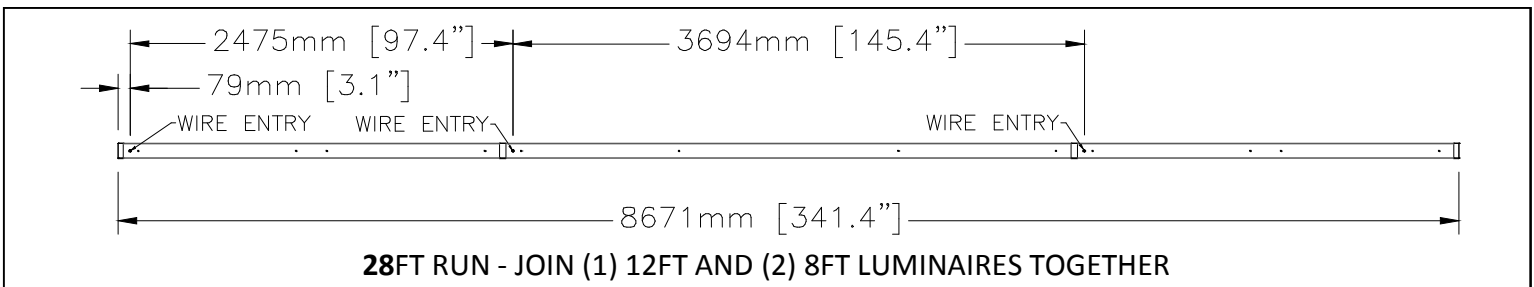
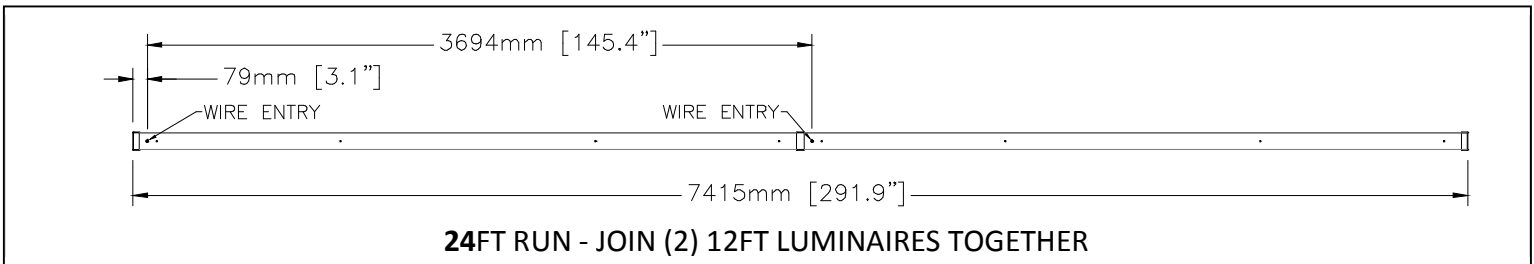
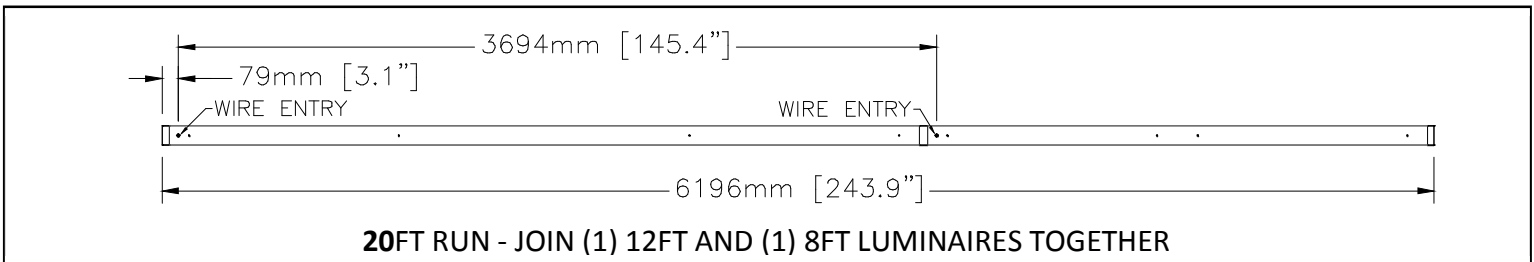
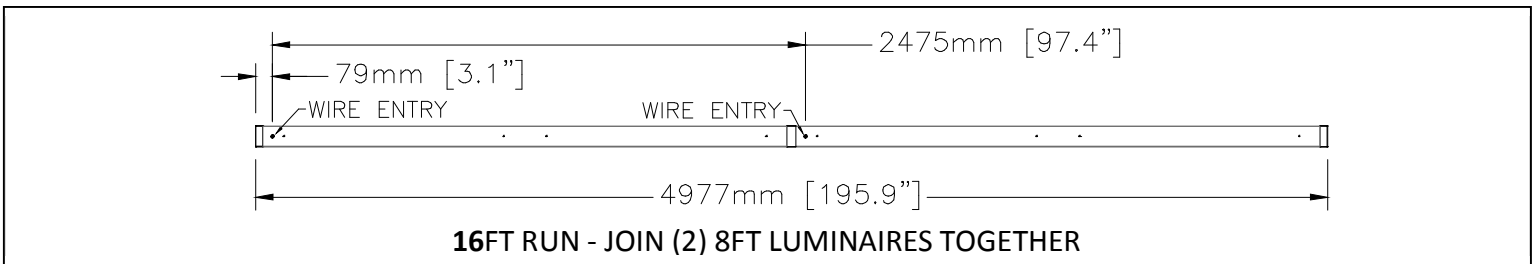


**IS-0261-02 rev.00**  
**GRANDE OUTDOOR SURFACE**  
**LUMINAIRE JOINING INSTRUCTIONS**

**Mounting holes location Diagram:**



**Wire entry location Diagram:**





**IS-0261-02 rev.00**  
**GRANDE OUTDOOR SURFACE**  
**LUMINAIRE JOINING INSTRUCTIONS**

**Wire entry location Diagram:**

