

IS-HC04-22-D rev.00

**SECURE RECESSED DRYWALL 1X2, 2X2, 1X4, 2X4
 INSTALLATION INSTRUCTIONS**

NOTE

The following instructions provide general guidelines for product installation. These instructions apply to the 1x2, 2x2, 1x4 and 2x4 sized fixtures. For additional information consult the applicable electrical codes or contact factory directly for support before attempting anything with uncertainty.

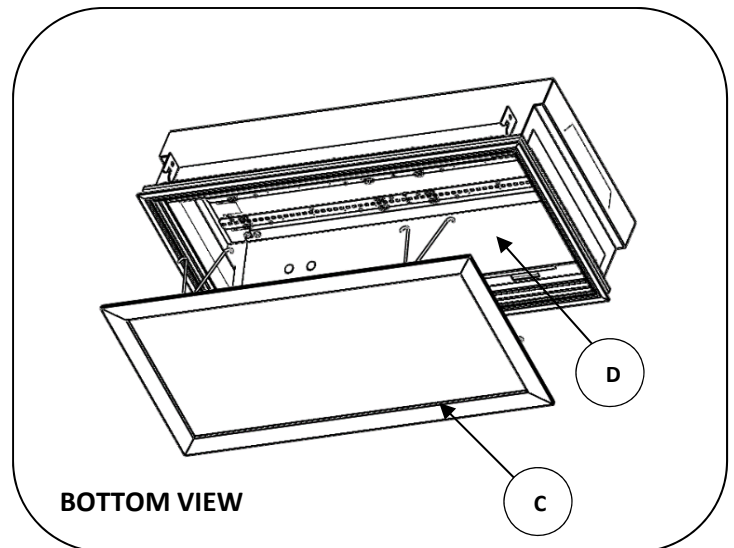
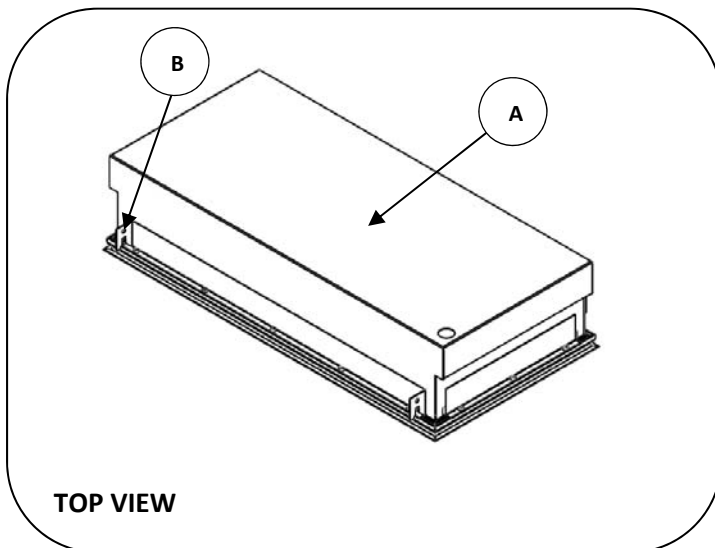
WARNING

Risk of fire and electrical shock. **DISCONNECT POWER AT ELECTRICAL PANEL** before installing or servicing this product.

GENERAL SAFETY INSTRUCTIONS

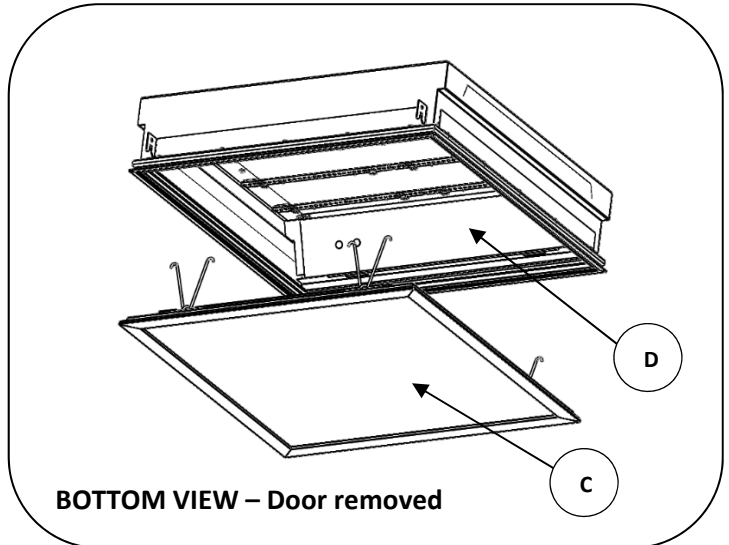
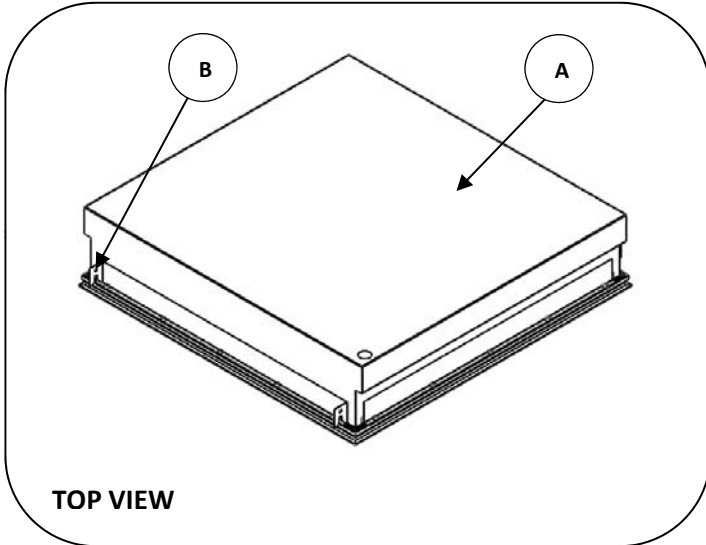
- Read all instructions prior to installing this fixture.
- This product must be installed in accordance with the applicable installation code by a person familiar with the construction and operation of the product and the hazards involved.
- All wiring must be performed by a qualified electrician in accordance with national and local building and electrical codes.
- This fixture must be suitably grounded for your protection against shock hazards and to assure proper operation.
- Make sure that the power source conforms to the requirements of this fixture.

CEILING OPENING SIZE		
FIXTURE	T-BAR WIDTH	T-BAR LENGTH
1' x 2'	309.6 mm (12-3/16")	616 mm (24-1/4")
2' x 2'	614.4 mm (24-3/16")	616 mm (24-1/4")
1' x 4'	309.6 mm (12-3/16")	1225.6 mm (48-1/4")
2' x 4'	614.4 mm (24-3/16")	1225.6 mm (48-1/4")



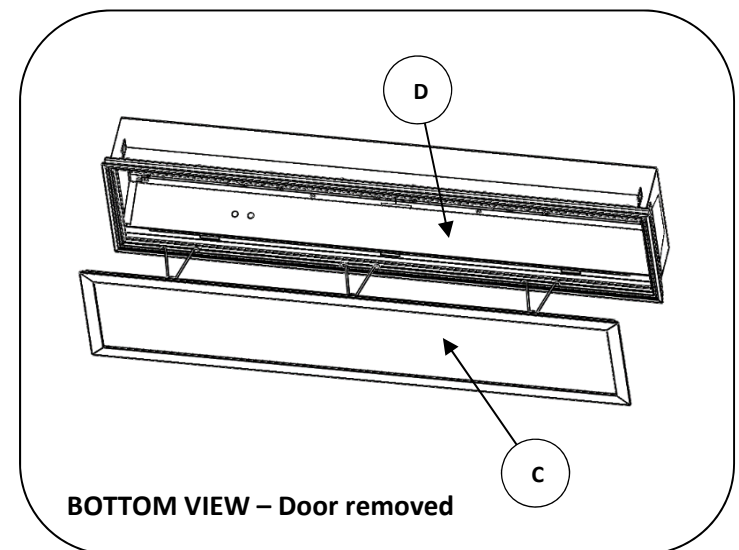
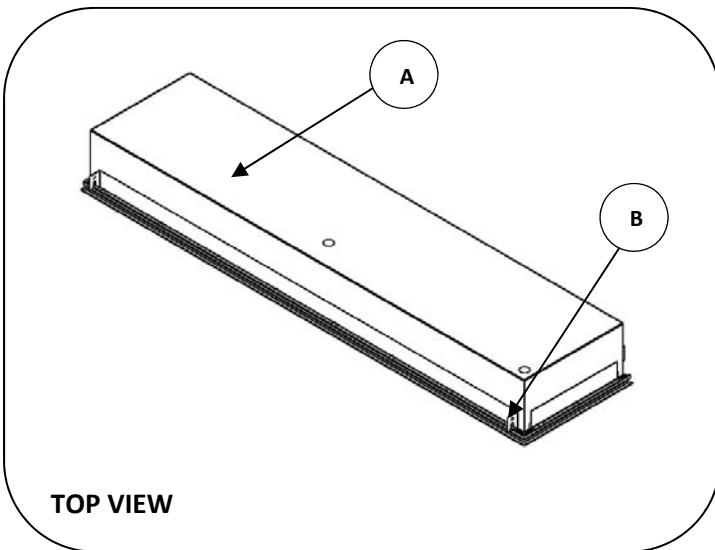
PARTS LIST: 1X2

- A. Back of Luminaire enclosure
- B. T-bar mounting bracket
- C. Door
- D. Driver access panel



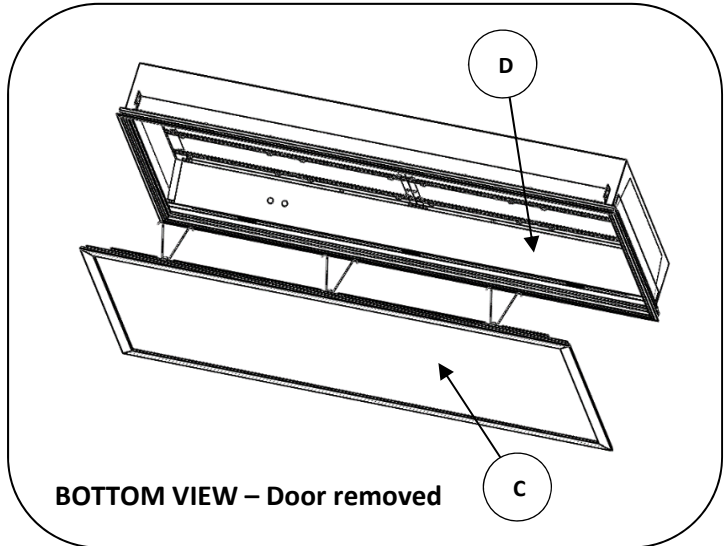
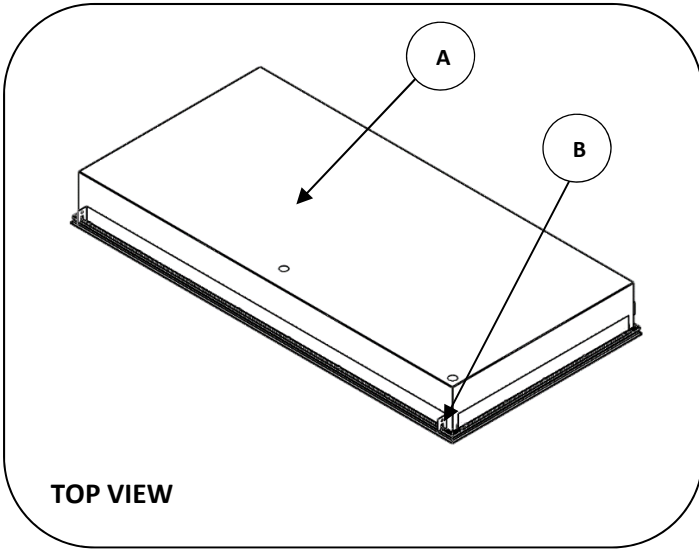
PARTS LIST: 2X2

- A. Back of Luminaire enclosure
- B. T-bar mounting bracket
- C. Door
- D. Driver access panel



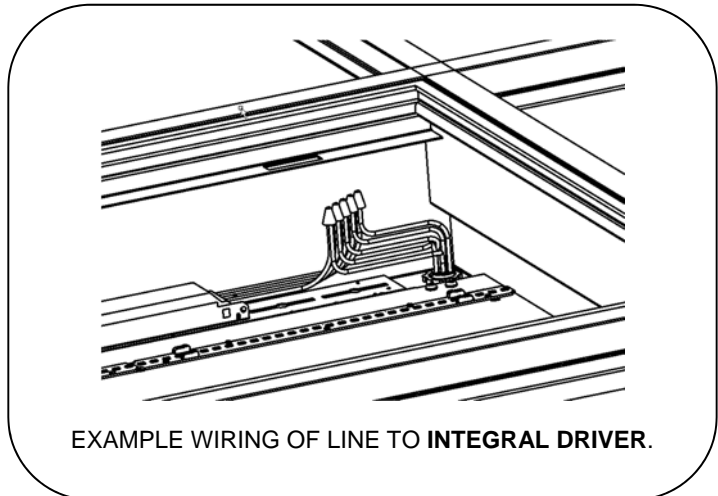
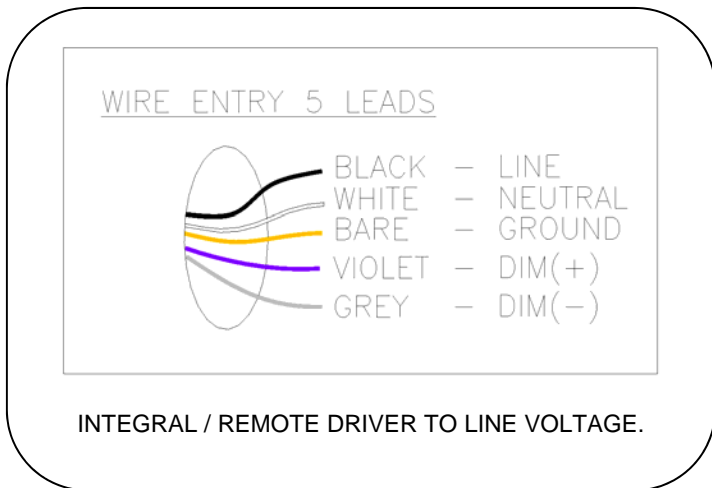
PARTS LIST: 1X4

- A. Back of Luminaire enclosure
- B. T-bar mounting bracket
- C. Door
- D. Driver access panel

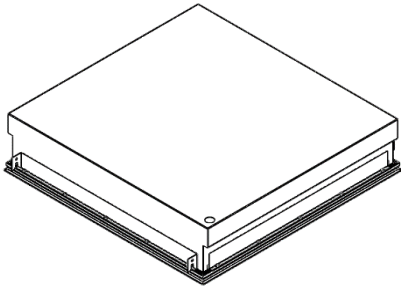


- PARTS LIST: 2X4**
- A. Back of Luminaire enclosure
 - B. T-bar mounting bracket
 - C. Door
 - D. Driver access panel

WIRING DIAGRAM



INSTALLATION STEPS



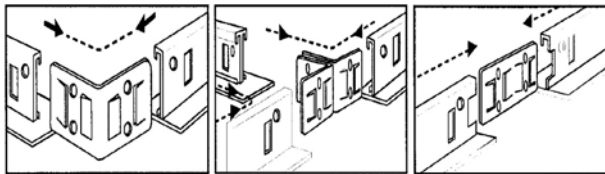
Step 1: Remove fixture and all supplied parts from packaging. Do not remove the protective film from the front surface of the fixture.

CEILING OPENING SIZE

FIXTURE	OPENING WIDTH	OPENING LENGTH
1' x 2'	12-3/16"	24-1/4"
2' x 2'	24-3/16"	24-1/4"
1' x 4'	12-3/16"	48-1/4"
2' x 4'	24-3/16"	48-1/4"

Step 2: Create ceiling opening as per chart

Drywall Frame Kit Assembly

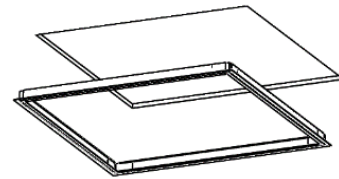


Individual Unit Assembly

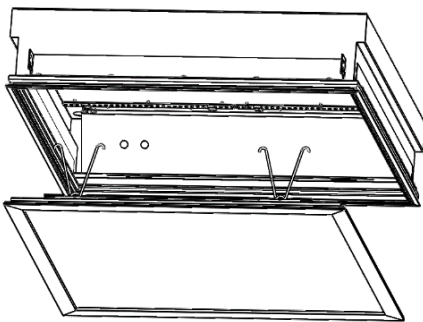
Individual Row Mount With Center Mullion Assembly

Un-interrupted Continuous Row Assembly (RCC & Concept 2 Continuous Row Series Only)

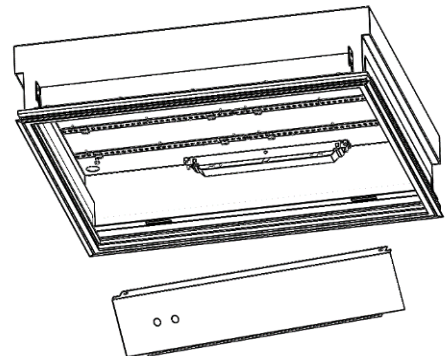
Step 3: Assemble Drywall Frame kit.



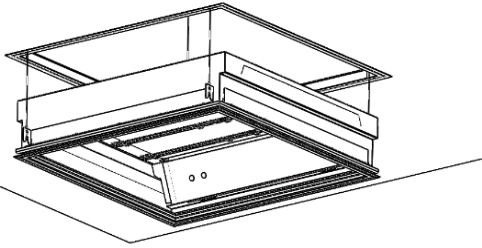
Step 4: Once the cut out is made, insert drywall frame kit and secure bracket to bracing using appropriate fasteners (by others). Use shims to prevent bracket joints from opening.



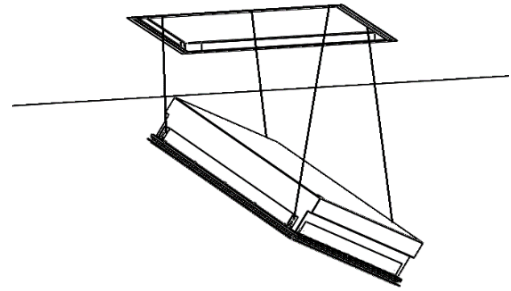
Step 4: Remove door from fixture. Pull door down and squeeze springs to release.



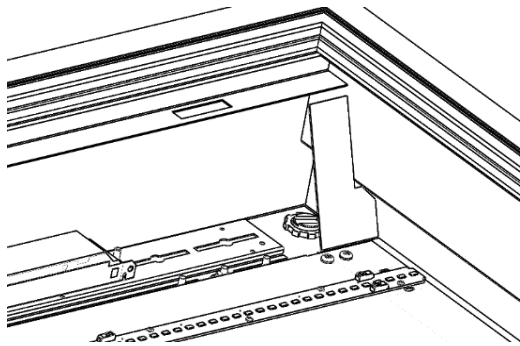
Step 5: Remove driver access panel.



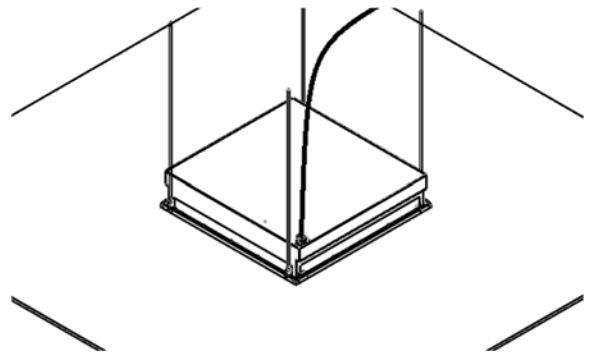
Step 6: Attach safety cables (supplied by others) to a structure of suitable strength so as to support the fixture.



Step 7: Install fixture thru Drywall frame kit from below by angling fixture through installed frame.



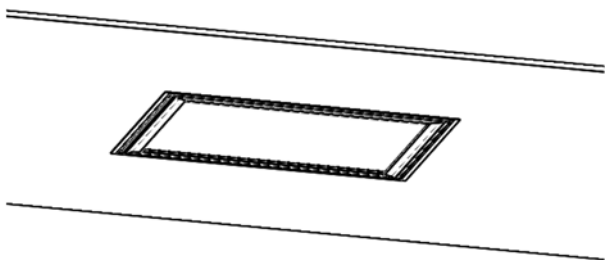
Step 8: Remove knock out and install the BX connector. Feed power cable through connector and secure connector around cable. (Refer to Wiring Diagram.)



Step 9: Lower fixture into position in the drywall frame.

Step 10: Connect cable to driver. (Refer to Wiring Diagram.)

Step 11: Reinstall driver access panel and door.



Step 12: Remove protective film from the front surface of the light fixture when installation is completed.