

**NOTE:** The following instructions provide general guidelines for product installation. For additional information consult the applicable electrical codes or contact factory directly for support before attempting anything with uncertainty.

**CAUTION:** Do not assemble fixture runs on floor.

**WARNING:** Risk of fire and electrical shock. **DISCONNECT POWER AT ELECTRICAL PANEL** before installing or servicing this product.

**GENERAL SAFETY INSTRUCTIONS:**

1. Read all instructions prior to installing this fixture.
2. This product must be installed in accordance with the applicable installation code by a person familiar with the construction and operation of the product and the hazards involved.
3. All wiring must be performed by a qualified electrician in accordance with national and local building and electrical codes.
4. This fixture must be suitably grounded for your protection against shock hazards and to assure proper operation.
5. Make sure that the power source conforms to the requirements of this fixture.

Specifications and design subject to change without notice.

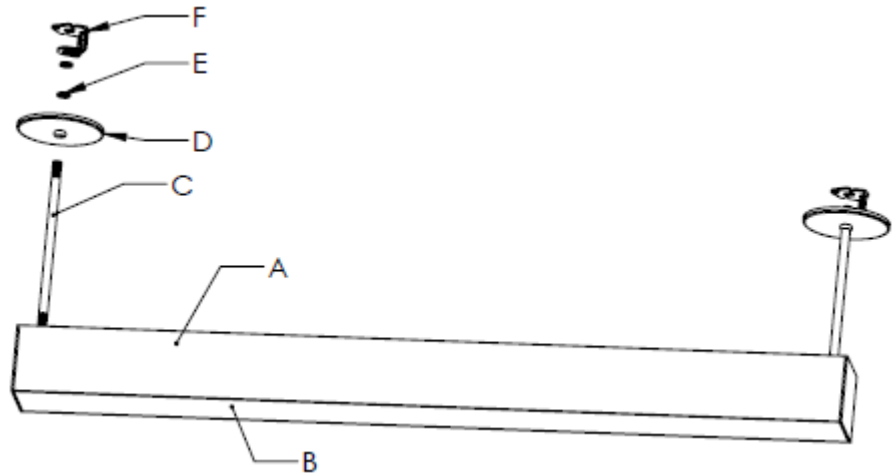
PARTS LIST

**MAIN PARTS**

- A. Luminaire enclosure
- B. Lens
- C. Stem
- D. Canopy
- E. Hex Nut
- F. Hanger bracket

**OTHER PARTS**

- Reflector/LED board assembly
- Electrical switch box (by others)



Specifications and design subject to change without notice.

**REQUIRED TOOLS**

- Plastic/Latex Gloves
- Screwdriver

**WIRING DIAGRAMS**

**STANDARD WIRING**

(5) LEADS



**WITH OPTIONAL EMERGENCY PACK**

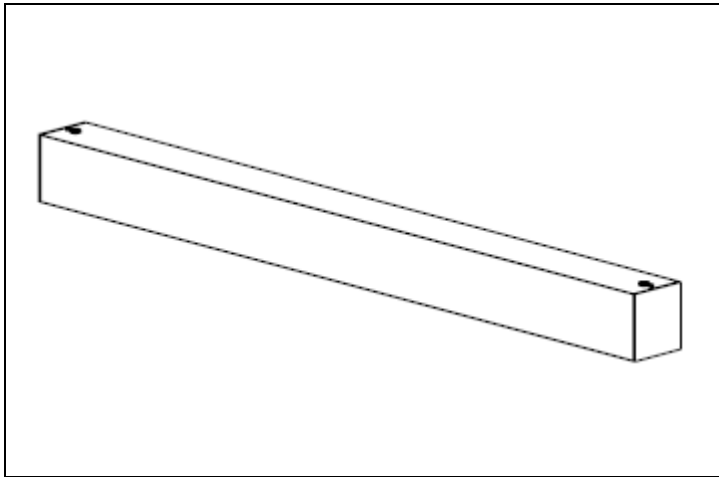


**WITH OPTIONAL BATTERY PACK**

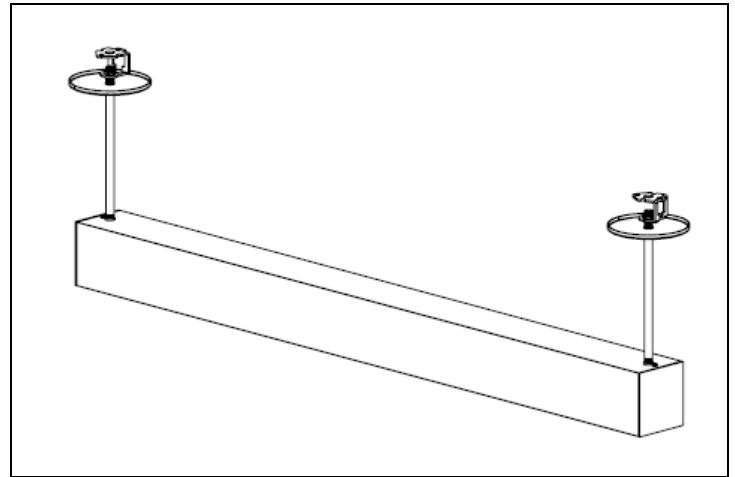


Specifications and design subject to change without notice.

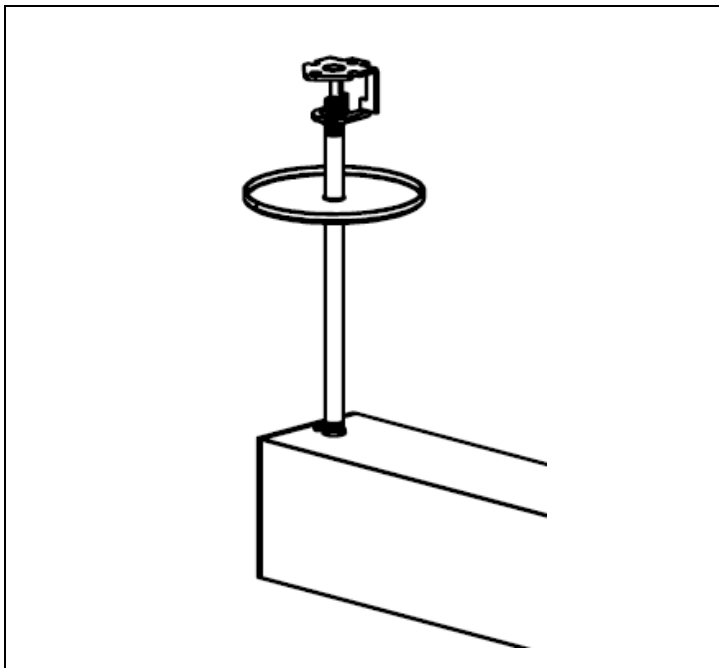
STEP-BY-STEP INSTRUCTIONS



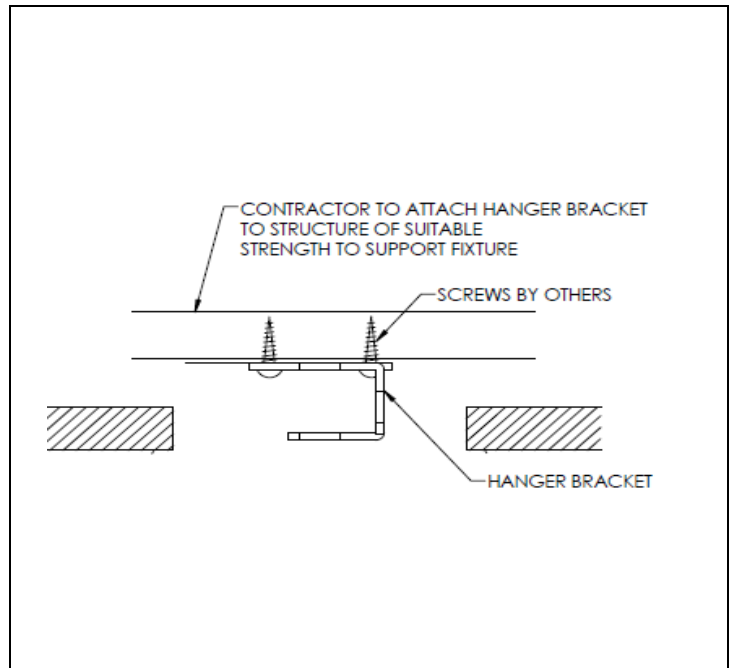
**STEP 1.** Remove fixture and stem kit packaging; note marked supply wires coming out at the top of the luminaire.



**STEP 2.** Route wires through one stem. Attach stems to thread mounting brackets at the top of the luminaire enclosure- one at each end.



**STEP 3.** Loosen set screw on the canopy slip rings and slide down canopies. Loose hex nuts and keep space about 15mm apart.

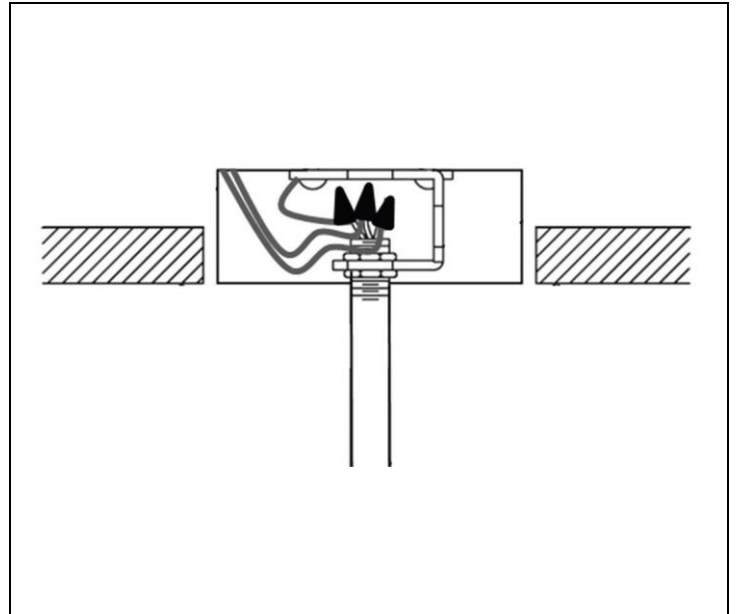


**STEP 4.** Attach both hanger brackets to proper structure. One bracket needs to be attached inside electrical box with wires ready for electrical connections.

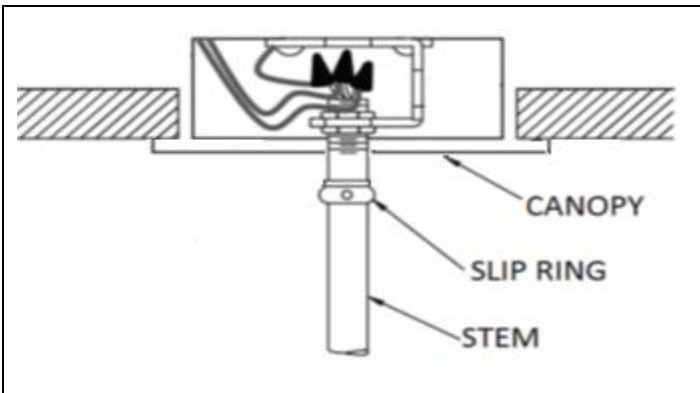
Specifications and design subject to change without notice.



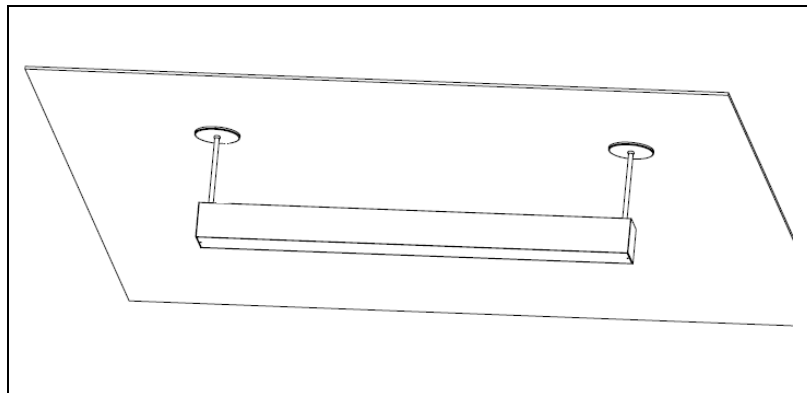
**STEP 5.** Attach both stems to hanger brackets.



**STEP 6.** Perform electrical wiring inside junction box. Connect low voltage dimming leads.

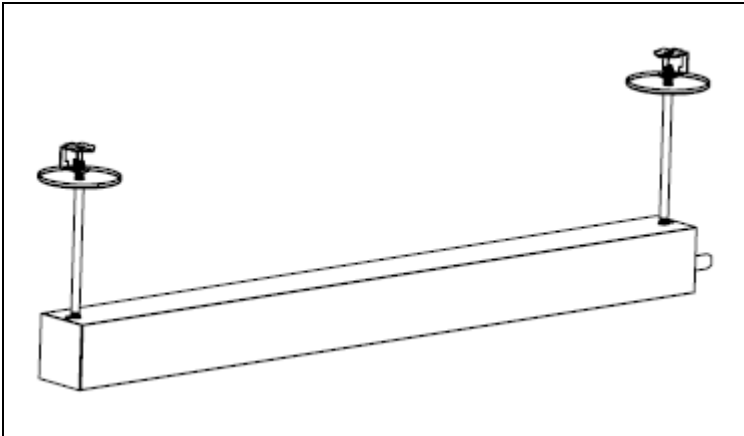


**STEP 7.** Adjust hex nuts and stems as needed to level fixture and then tighten the nuts. Adjust and lock canopy in place by tightening the set screw on the canopy slip ring.

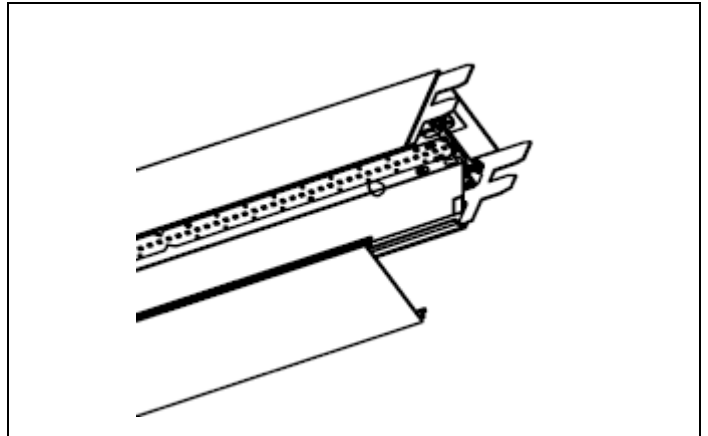


**STEP 8.** Example of completed fixture.

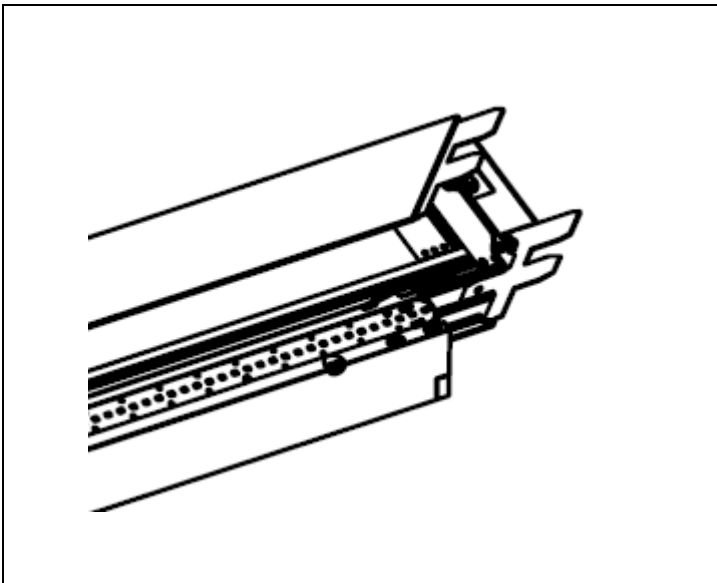
Specifications and design subject to change without notice.



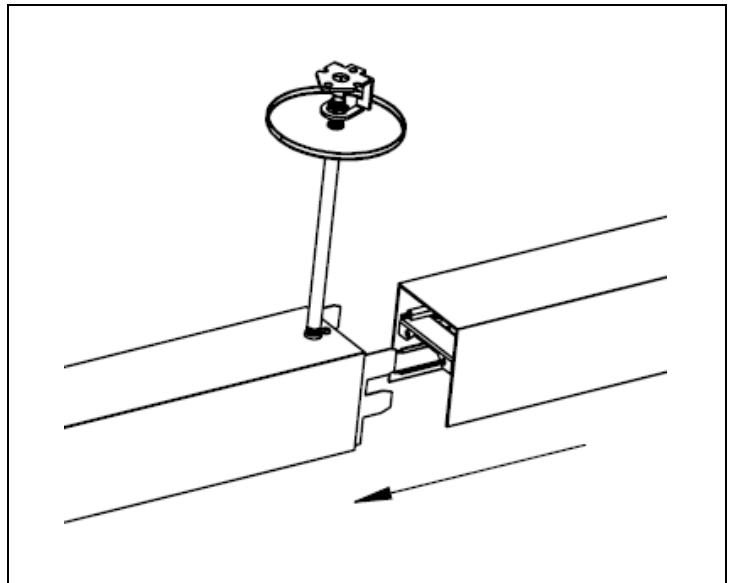
**STEP 9.** For continuous runs, install Start fixture first (As per Steps 1 to 7). Do not apply power.



**STEP 10.** Remove the lens from the joining fixtures.

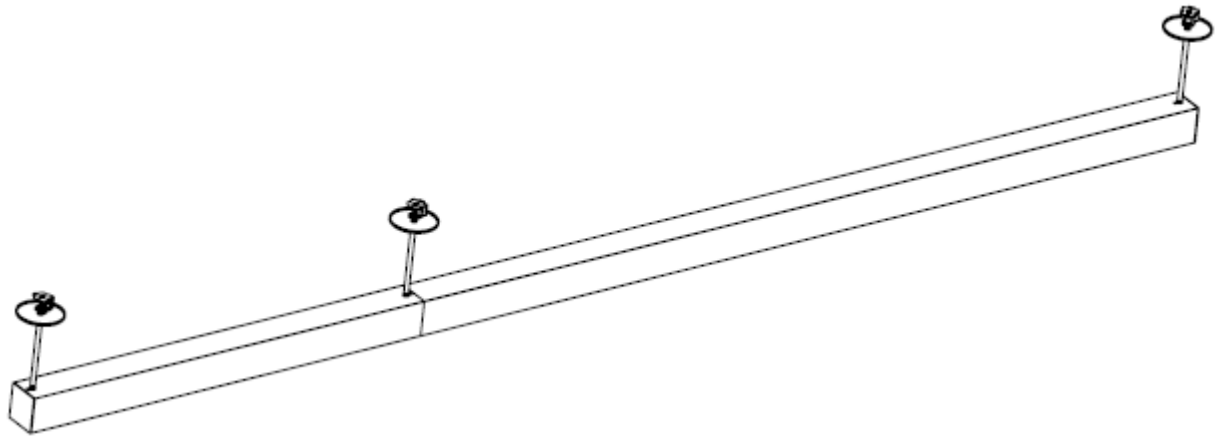


**STEP 11.** Unscrew the reflector assemblies inside the joining fixtures. Remove reflectors from the units. Set up the Middle/End fixture for mounting (See Step 3 - 4).



**STEP 12.** Align Middle/End fixture and slide it into place. Secure with screws. Install the hangers. Perform necessary wiring between fixtures. Reinstall reflector assemblies and lenses.

Specifications and design subject to change without notice.



**STEP 18.** Example of completed continuous run. Repeat Steps 10-12 for remaining fixture installations as needed.

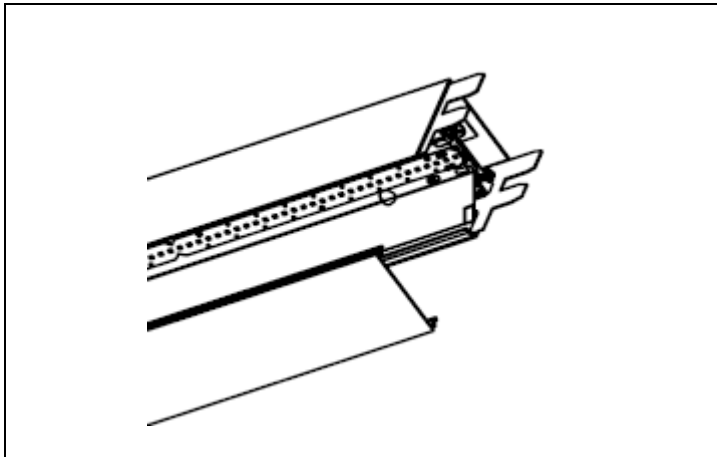
Specifications and design subject to change without notice.

**MAINTENANCE**

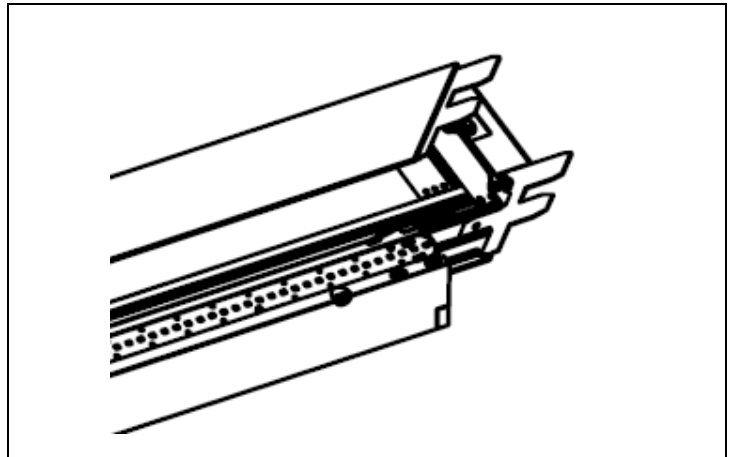
**REQUIRED TOOLS:**

- Plastic / Latex Gloves
- Screwdriver

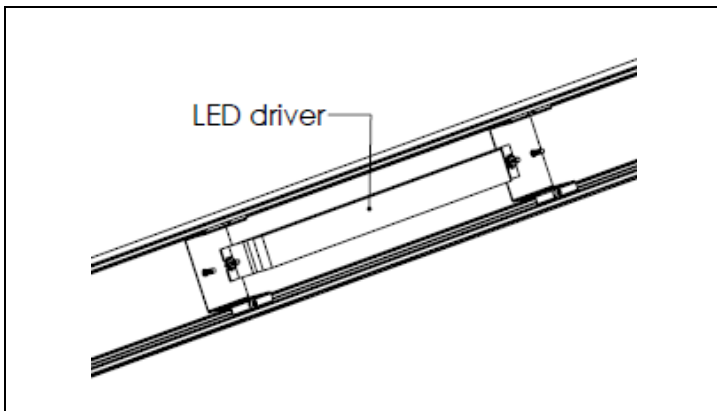
**Important:** Use clean gloves to avoid adding oil/dirt to reflector surface. Avoid scratching reflector surface by using installation tools with soft plastic rounded edges.



**STEP 1.** For LED board maintenance, remove the lens from the bottom of the unit. Replace LED board as needed. Then reinstall the lens.



**STEP 2.** For driver maintenance, remove the lens from the bottom of the unit then remove the reflector assembly.



**STEP 3.** Remove and service driver as required. Then reinstall the reflector assembly and lens.

Specifications and design subject to change without notice.