



NOTE: The following instructions provide general guidelines for product installation. For additional information consult the applicable electrical codes or contact factory directly for support before attempting anything with uncertainty.

CAUTION: Do not assemble fixture runs on floor.

WARNING: Risk of fire and electrical shock. **DISCONNECT POWER AT ELECTRICAL PANEL** before installing or servicing this product.

GENERAL SAFETY INSTRUCTIONS:

1. Read all instructions prior to installing this fixture.
2. This product must be installed in accordance with the applicable installation code by a person familiar with the construction and operation of the product and the hazards involved.
3. All wiring must be performed by a qualified electrician in accordance with national and local building and electrical codes.
4. This fixture must be suitably grounded for your protection against shock hazards and to assure proper operation.
5. Make sure that the power source conforms to the requirements of this fixture.

Specifications and design subject to change without notice.

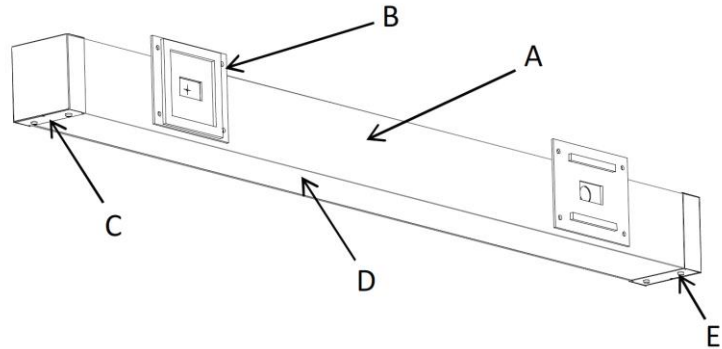
PARTS LIST

MAIN PARTS

- A. Luminaire Enclosure
- B. Wall Mounting Plate
- C. End Plate
- D. Lens
- E. End Screw

OTHER PARTS

- Reflector/LED Assembly
- Electrical Box (by others)
- Fasteners (by others)



REQUIRED TOOLS

DRILL	#8 PHILLIPS BIT	#8 PHILLIPS SCREWDRIVERS	WRENCH

Important: Use clean gloves to avoid adding oil/dirt to optics surface. Avoid scratching optics by using installation tools with soft plastic rounded edges

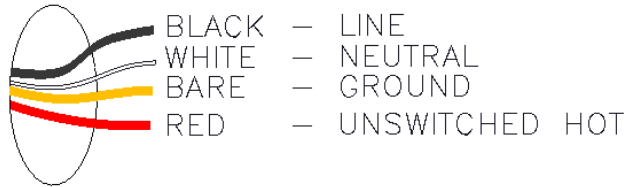
WIRING DIAGRAMS

STANDARD WIRING	WITH OPTIONAL EMERGENCY PACK
<p>(5) LEADS</p> <ul style="list-style-type: none"> BLACK — LINE WHITE — NEUTRAL BARE — GROUND VIOLET — DIM(+) GREY — DIM(-) 	<ul style="list-style-type: none"> BLACK — LINE WHITE — NEUT BARE — GROUND

Specifications and design subject to change without notice.

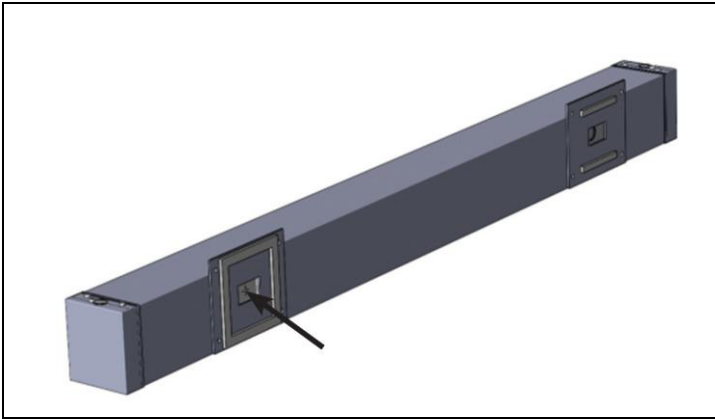
WITH OPTIONAL BATTERY PACK

(4) LEADS

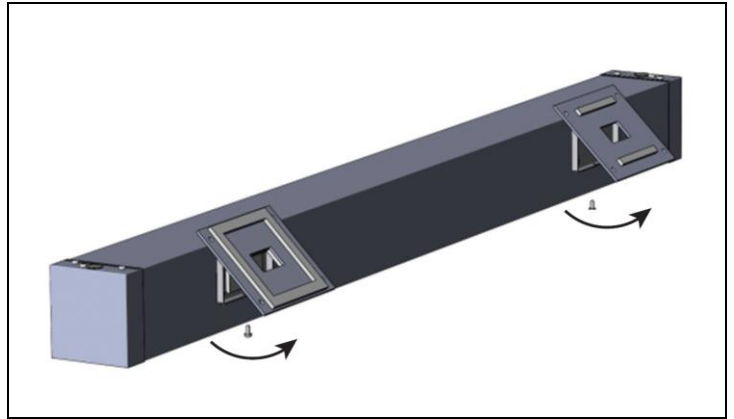


Specifications and design subject to change without notice.

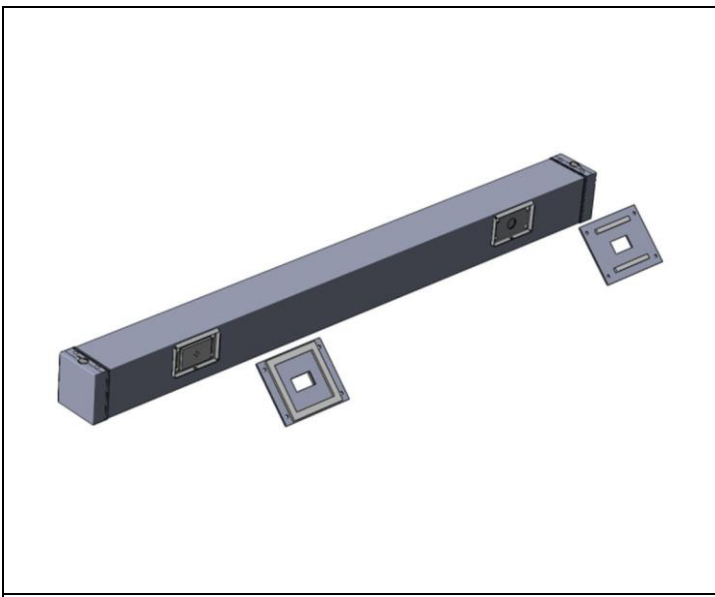
STEP-BY-STEP INSTRUCTIONS



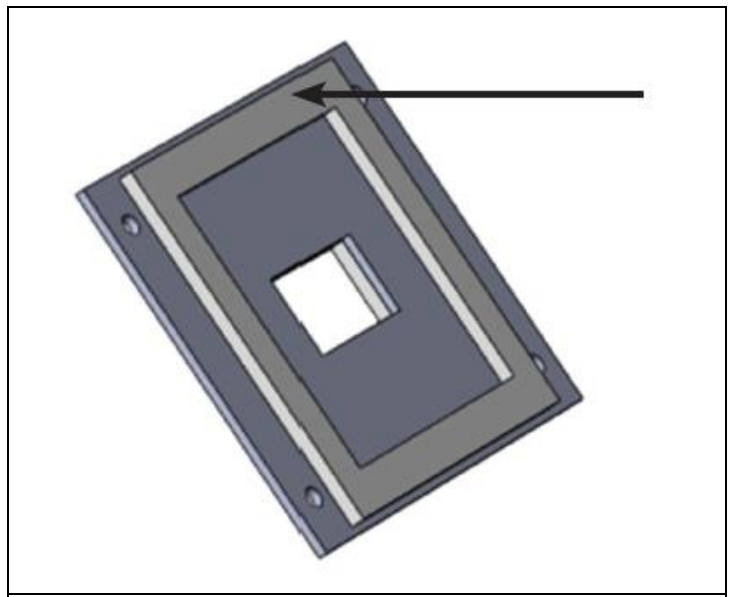
STEP 1. Remove fixture packaging; note marked supply wires coming out at the back of the luminaire.



STEP 2. Remove (1) mounting screw from each of the (2) wall brackets. Swing out wall mounting plates (B).



STEP 3. Detach plates from luminaire enclosure (A). Note wall mounting plate on wire entry side is fully gasketed. Use mounting plate and mounting location diagram to mark location of mounting fasteners (by others).

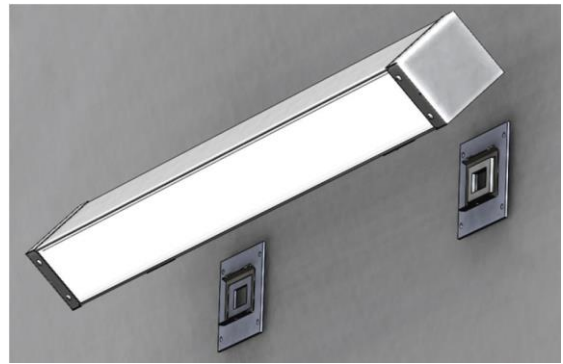


STEP 4. For the wire entry side only: if mounting surface is uneven, apply silicone caulking on the perimeter of wall gasket to ensure proper water tightness around wire entry and electrical box.

Specifications and design subject to change without notice.



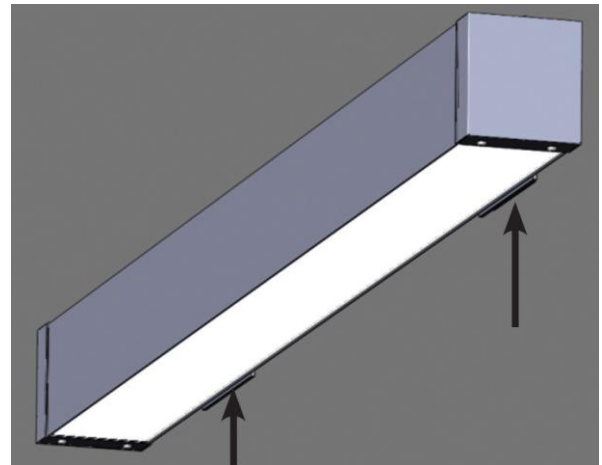
STEP 5. Install both wall mounting plates. Use (4) fasteners for each plate. Make sure the plate on wire entry side completely seals the electrical box and the two plates are installed at the same horizontal level.



STEP 6. Attach luminaire to wall plates.

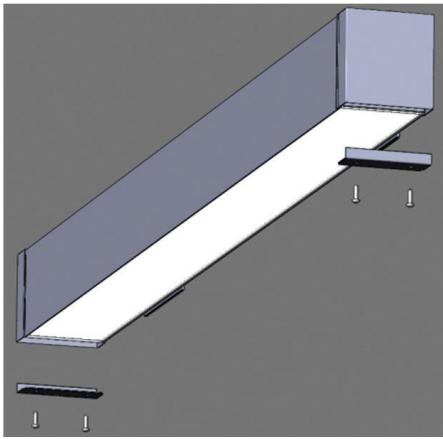


STEP 7. With the luminaire attached to the wall plates and rotated about 45 degrees, perform electrical wiring. Optional emergency ballast must be fed from the same branch circuit as the AC ballast.

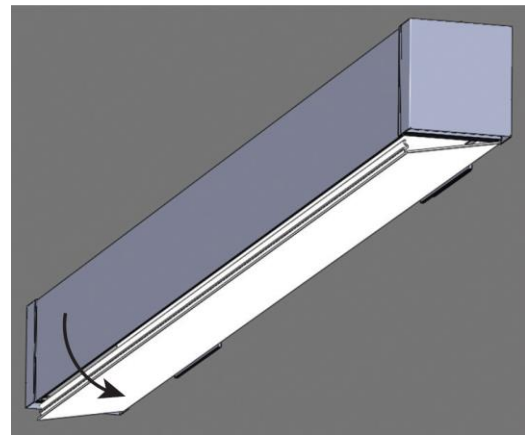


STEP 8. Complete luminaire attachment and secure it in place by re-attaching (2) wall bracket mounting screws. Make sure supply wires are not pinched while performing this step.

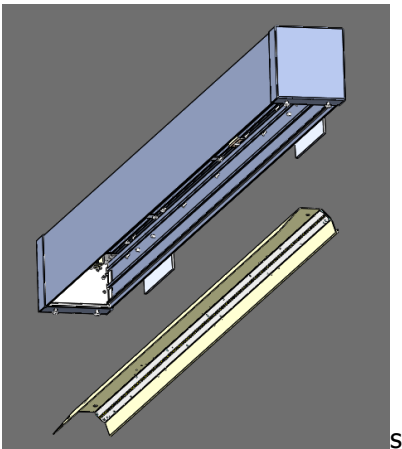
Specifications and design subject to change without notice.



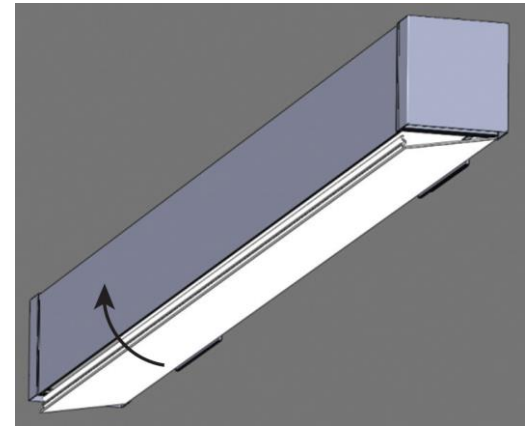
STEP 9. Perform this step only to gain access to optional emergency/battery pack. Remove end screws (E) and end plates (C). Keep all parts.



STEP 10. Perform this step only to gain access to optional emergency/battery pack. Remove lens (D) starting at one end. Pull one side first, rotate and detach. Keep lens.

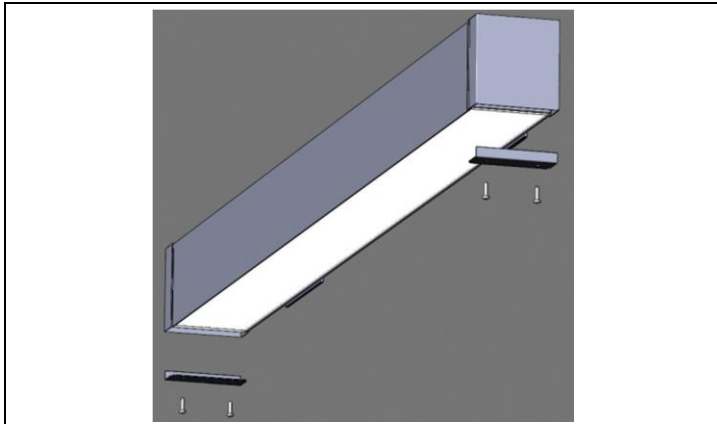


STEP 11. Perform this step only to gain access to optional emergency/battery pack. Remove reflector mounting screws and reflector. Note fixtures with optional emergency pack have a test switch and indicator light mounted on the reflector. Re-attach reflector with (2) mounting screws.

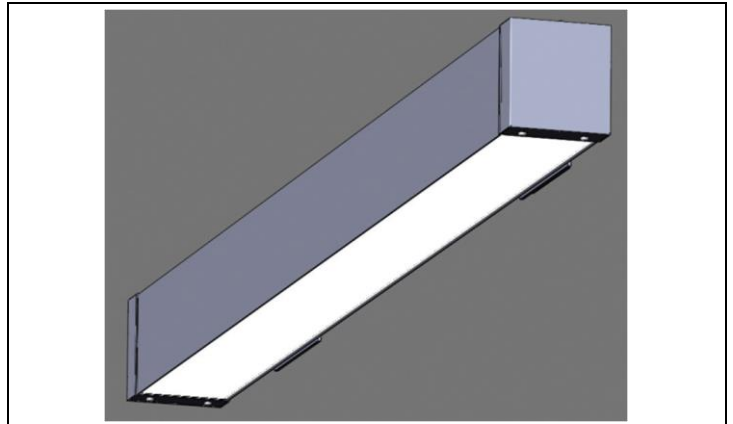


STEP 12. Perform this step only to gain access to optional emergency/battery pack. Re-attach lens. Start with one side first and close the other side starting from the corner. Make sure lens gaskets are in place and compressed between lens and fixture housing.

Specifications and design subject to change without notice.



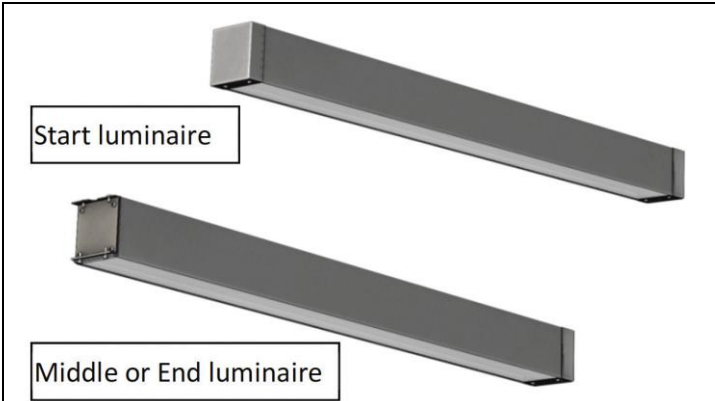
STEP 13. Perform this step only to gain access to optional emergency/battery pack. Re-attach end plates with (4) end screws.



STEP 14. Installed fixture.

Specifications and design subject to change without notice.

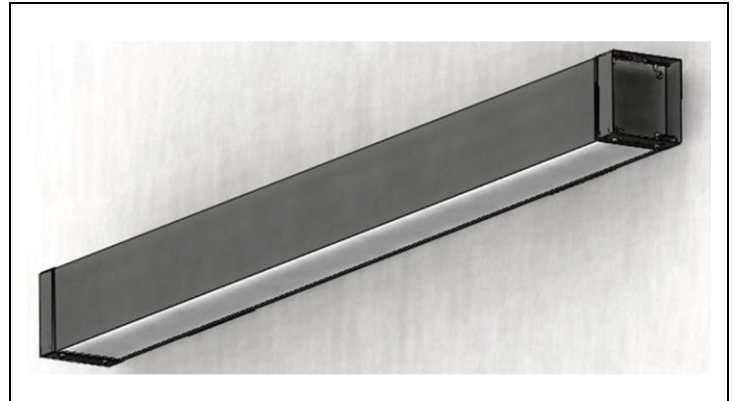
JOINING INSTRUCTIONS




Start luminaire

Middle or End luminaire

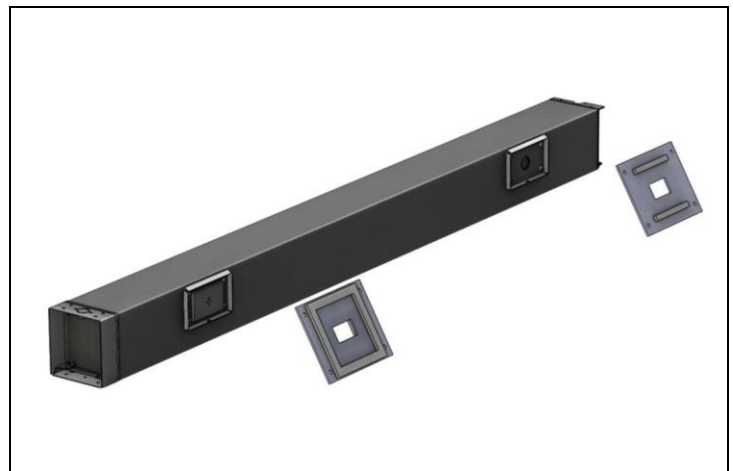
STEP 1. Remove fixture packaging; note marked supply wires coming out at the back of the luminaire.



STEP 2. Install Start luminaire following standard installation instructions. Do not apply power to the fixture.

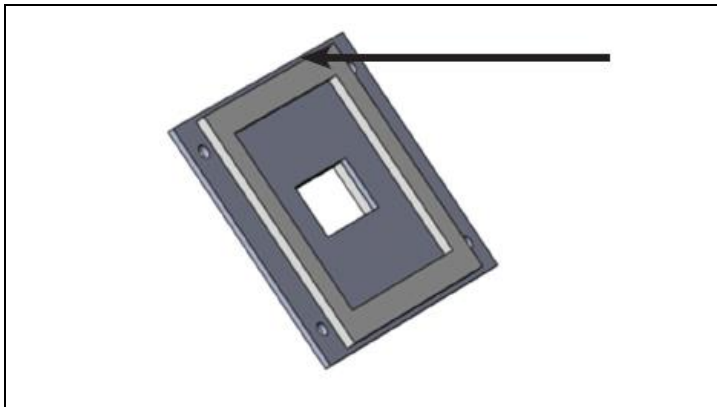


STEP 3. At the joiner end of the Start fixture: remove end screws (E), lift joiner plate (F) and retain it on the top of the fixture. Also remove all end screws from the next fixture to be installed in the row (Middle or End luminaire) at the joining end only. Keep all parts.

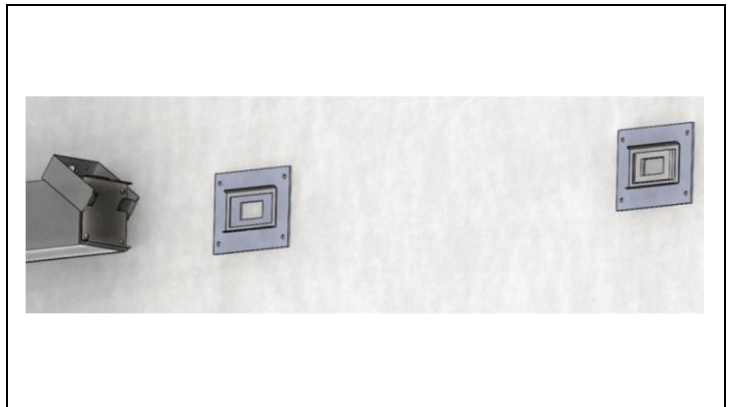


STEP 4. Remove (1) mounting screw from each of the (2) wall brackets on the Middle or End luminaire. Swing out wall mounting plates (B) and detach from luminaire. Keep all parts.

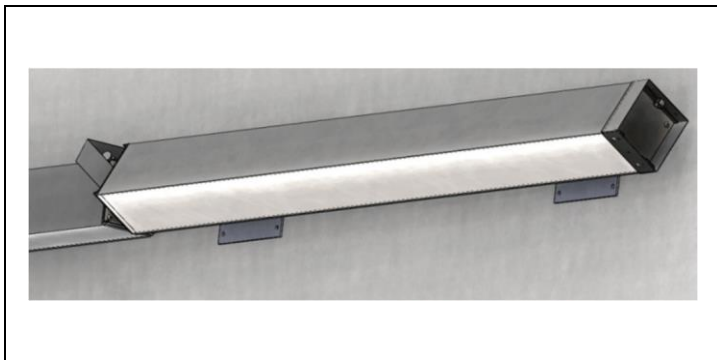
Specifications and design subject to change without notice.



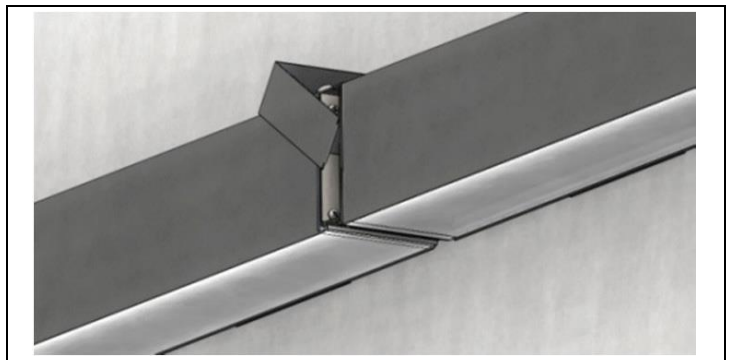
STEP 5. Use mounting plate and mounting location diagram to mark location of mounting fasteners (by others). For the wire entry side only: if mounting surface is uneven, apply silicone caulking on the perimeter of wall gasket to ensure proper water tightness around wire entry and electrical box.



STEP 6. Install both wall mounting plates. Use (4) fasteners for each plate. Make sure the plate on wire entry side completely seals the electrical box and the two plates are installed at the same horizontal level with the Start fixture mounting plates.

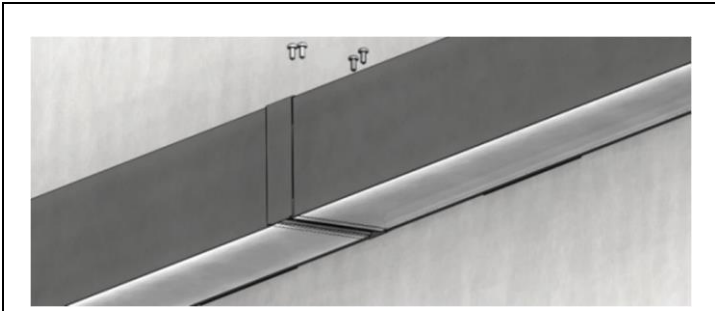


STEP 7. Attach Middle or End luminaire to wall plates. With luminaire attached to the wall plates and rotated about 45 degrees, perform electrical wiring. Optional emergency ballast must be fed from the same branch circuit as the AC ballast.

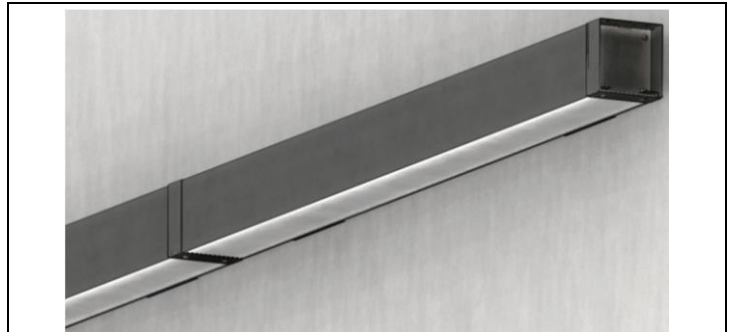


STEP 8. Complete luminaire attachment to wall plates and secure it in place by re-attaching (2) wall bracket mounting screws. Make sure supply wires are not pinched while performing this step.

Specifications and design subject to change without notice.



STEP 9. Re-position joiner piece in place and attach it to both luminaires with (4) screws.



STEP 10. Joined luminaires. Complete remaining fixtures installation as needed.

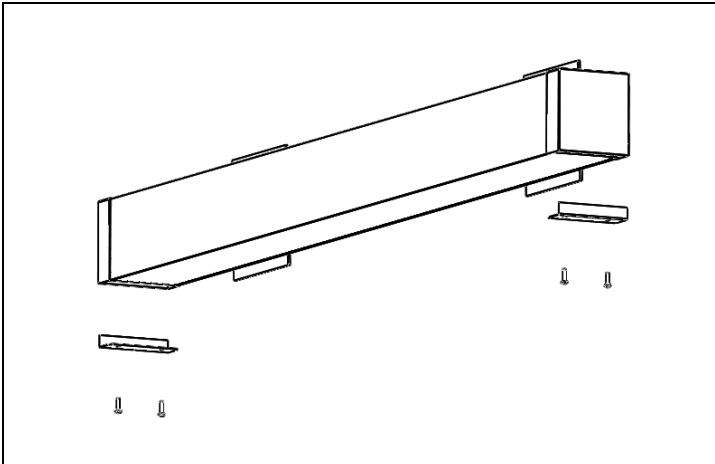
Specifications and design subject to change without notice.

MAINTENANCE

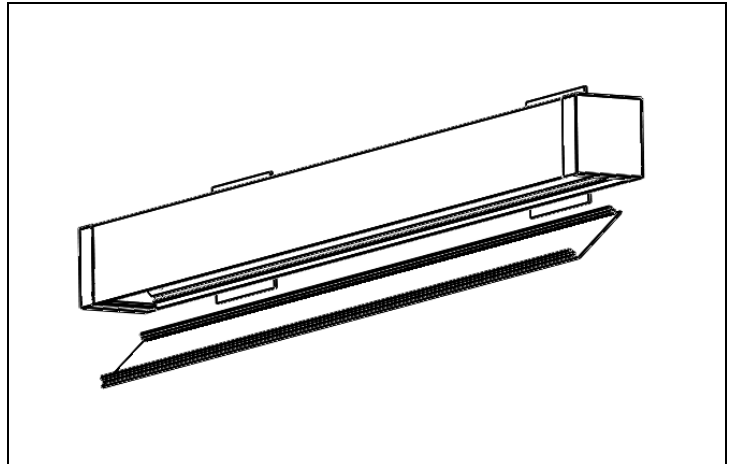
REQUIRED TOOLS:

- Plastic / Latex Gloves
- Screwdriver

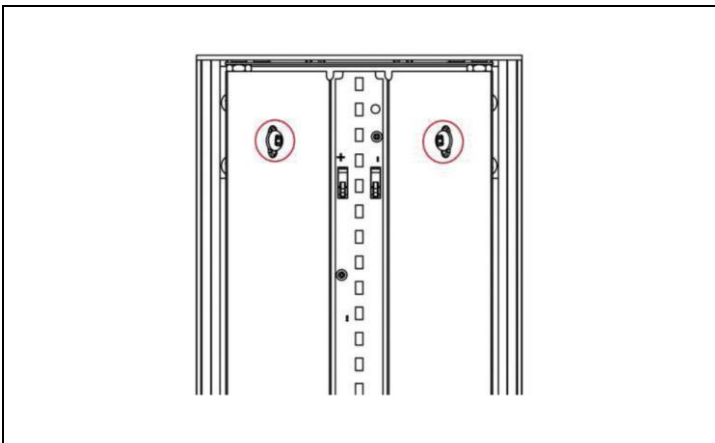
Important: Use clean gloves to avoid adding oil/dirt to reflector surface. Avoid scratching reflector surface by using installation tools with soft plastic rounded edges.



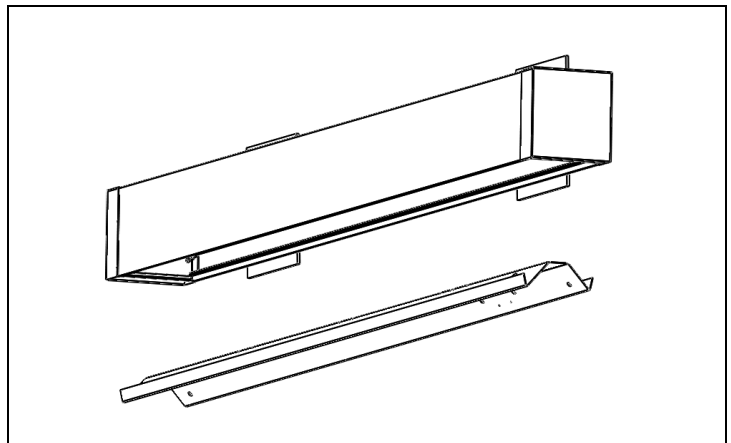
STEP 1. For LED board maintenance, remove the end screws (E) and end plates (C) from the bottom of the unit.



STEP 2. Remove lens (D) starting at one end. Pull one side first, rotate, and detach.

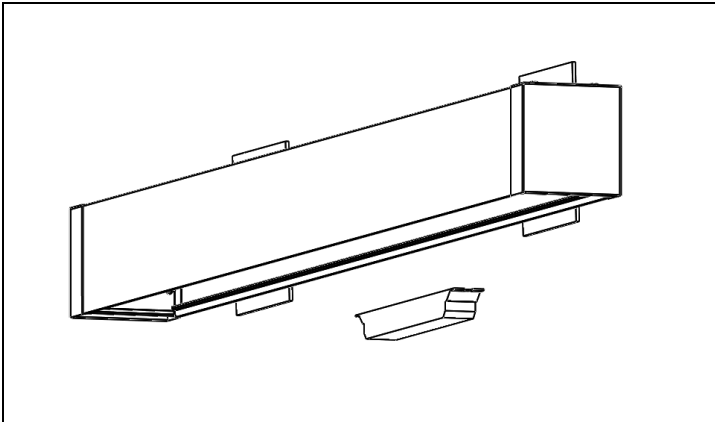


STEP 3. For driver maintenance, first unscrew the reflector assembly.



STEP 4. Remove reflector assembly from unit.

Specifications and design subject to change without notice.



STEP 5. Remove and service driver as required.

Specifications and design subject to change without notice.