

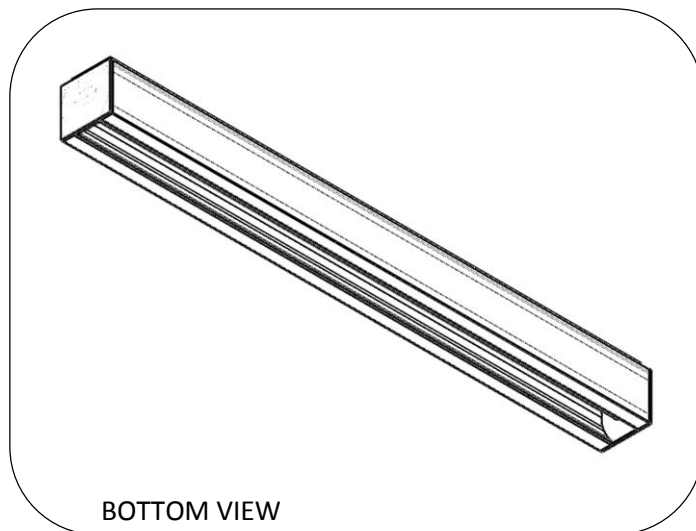
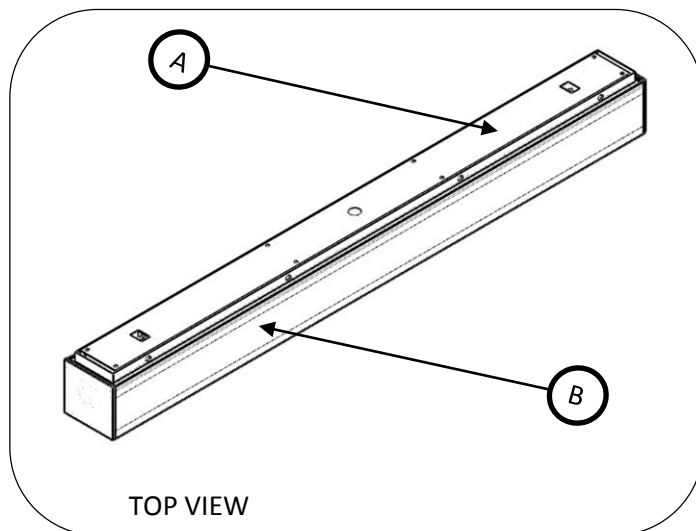
**MEGA M4S SURFACE
INSTALLATION INSTRUCTIONS**

NOTE: The following instructions provide general guidelines for product installation. These instructions apply to the ARCHES surface (A4S) and the MEGA surface (M4S) sized fixtures. For additional information consult the applicable electrical codes or contact factory directly for support before attempting anything with uncertainty.

WARNING: Risk of fire and electrical shock. **DISCONNECT POWER AT ELECTRICAL PANEL** before installing or servicing this product.

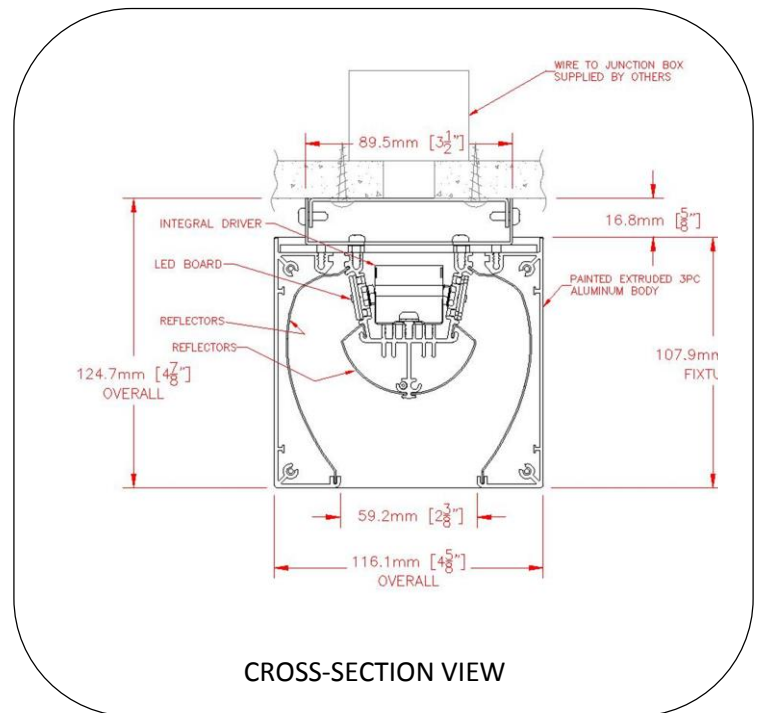
General Safety Instructions:

1. Read all instructions prior to installing this fixture.
2. This product must be installed in accordance with the applicable installation code by a person familiar with the construction and operation of the product and the hazards involved.
3. All wiring must be performed by a qualified electrician in accordance with national and local building and electrical codes.
4. This fixture must be suitably grounded for your protection against shock hazards and to assure proper operation.
5. Make sure that the power source conforms to the requirements of this fixture.

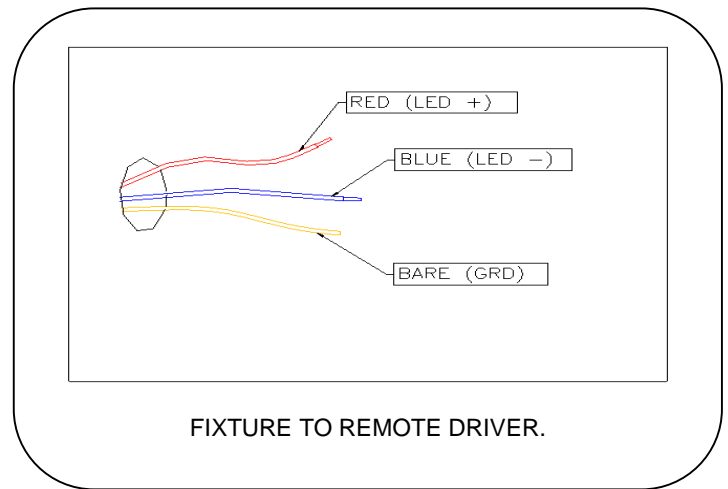
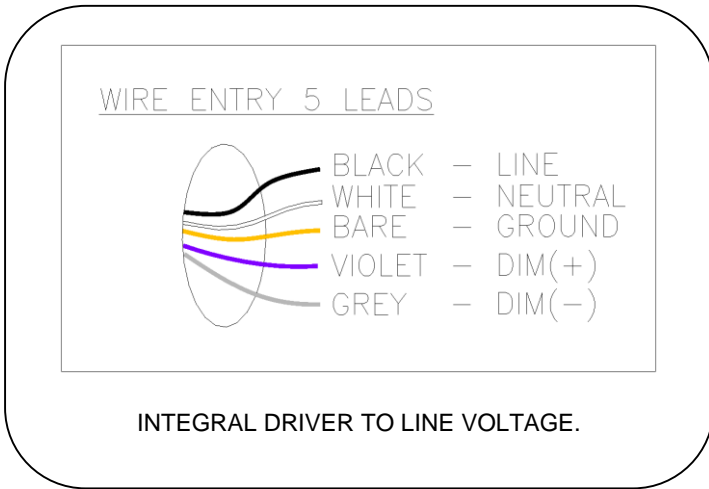


PARTS LIST

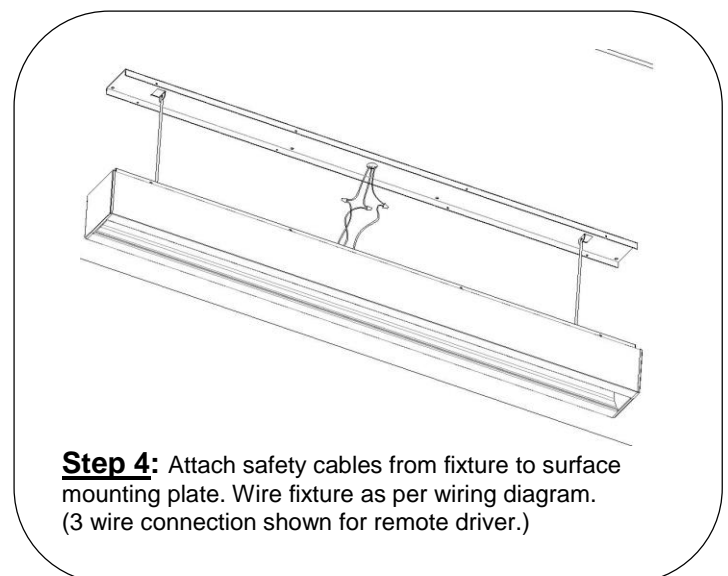
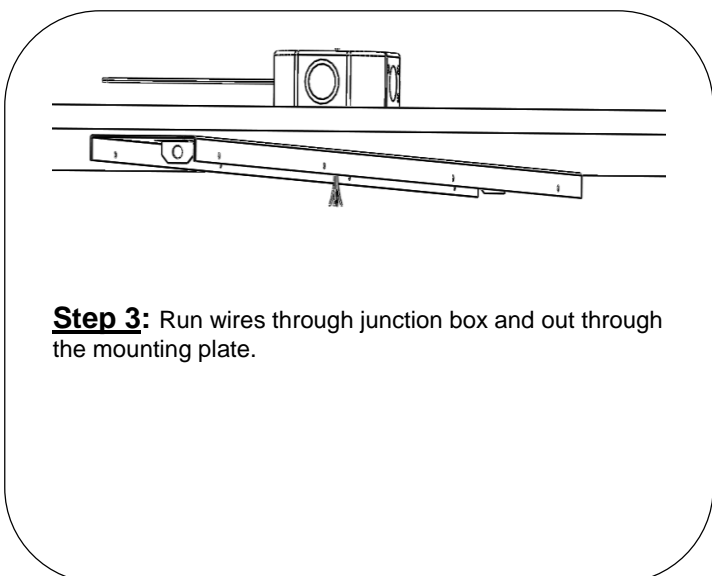
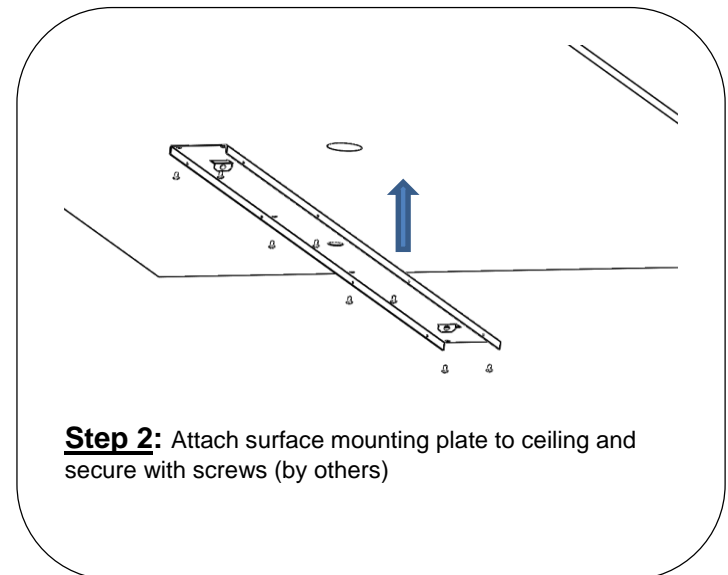
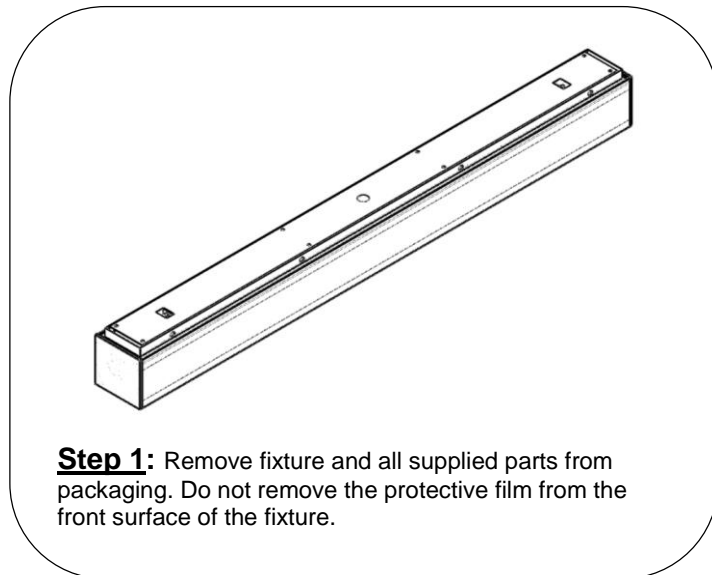
- A. Surface mounting plate
- B. Fixture

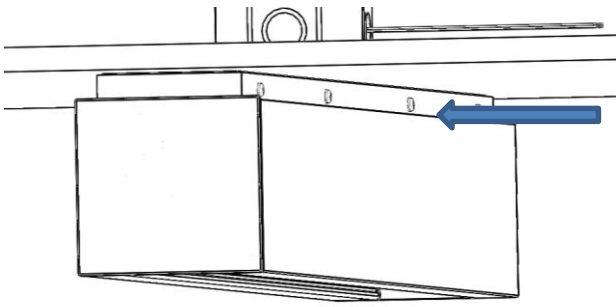


Wiring Diagram:

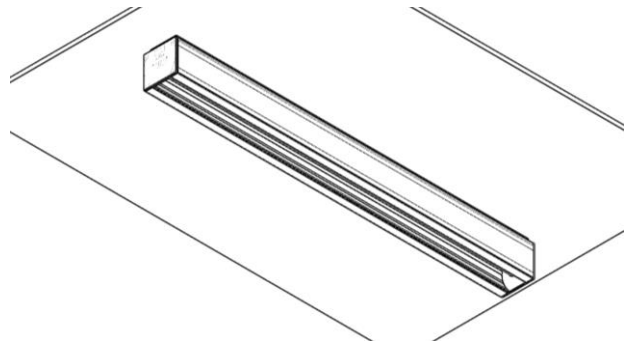


INSTALLATION STEPS

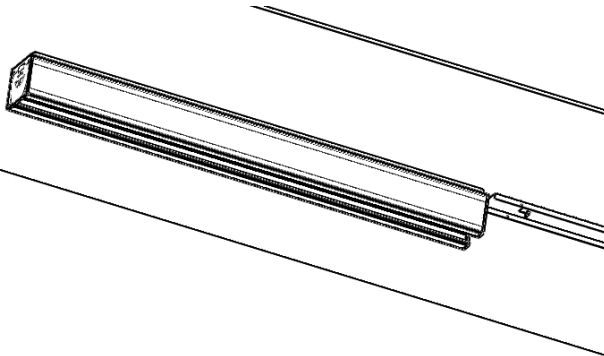




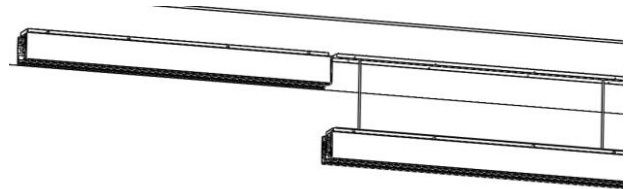
Step 5: Raise fixture to mounting plate and secure with screws on either side of fixture.



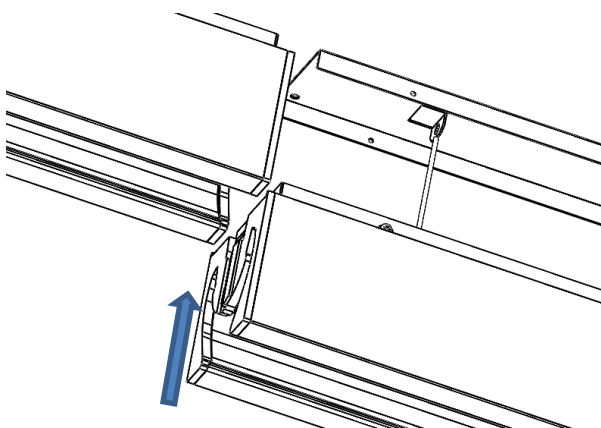
Step 6: Remove protective film from the front surface of the light fixture when installation is completed.



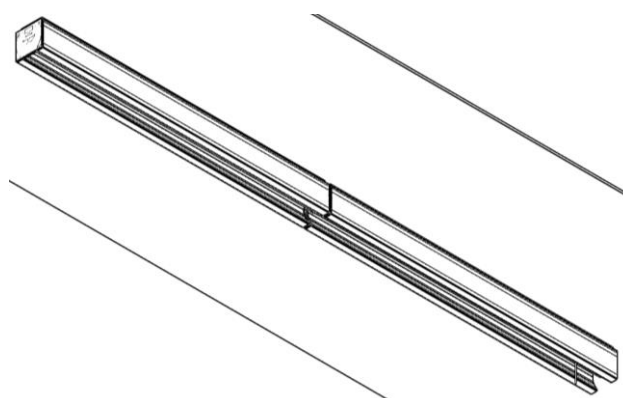
Step 7: For continuous runs install the Start fixture and then install second surface mounting plate accordingly.



Step 8: Connect safety cables from fixture to surface mounting plate.



Step 9: Raise the end fixture and slide into position.



Step 10: Secure End fixture to surface mounting plate with screws.

MAINTENANCE STEPS

Required Tools:

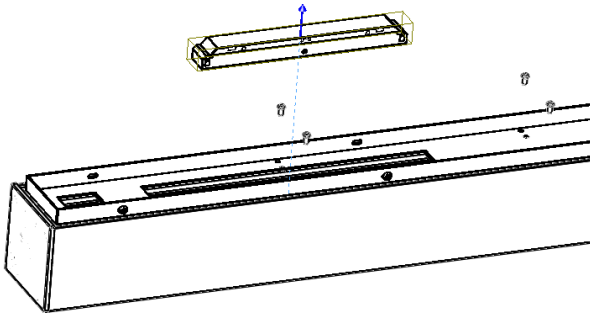


PLASTIC / LATEX GLOVES

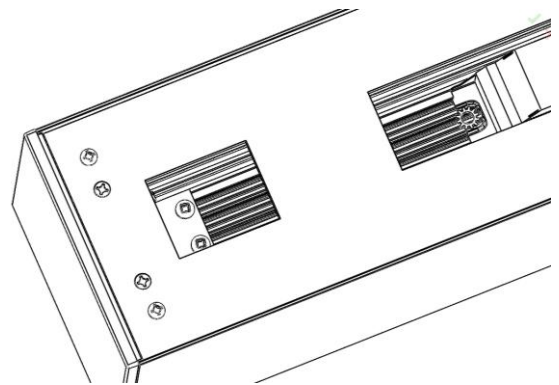


SCREWDRIVER

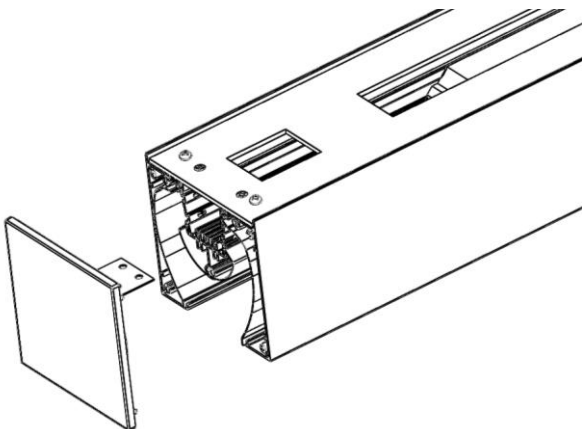
Important: Use clean gloves to avoid adding oil/dirt to reflector surface. Avoid scratching reflector surface by using installation tools with soft plastic rounded edges.



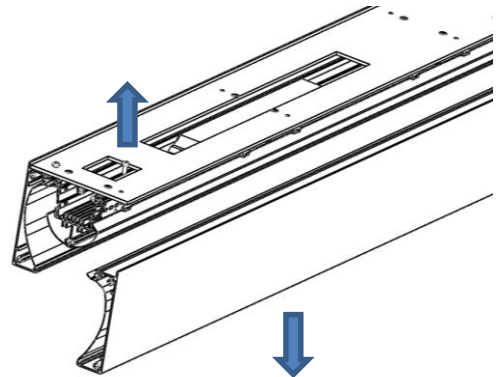
Step 1: For LED board maintenance, begin by first unscrewing and removing the surface mounting bracket. LED Driver can also be removed for maintenance at this stage.



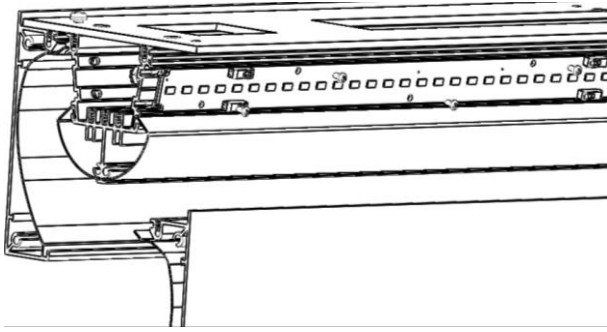
Step 2: Unscrew the 2 screws securing the end cap on both sides of the fixture.



Step 3: Remove end-cap.



Step 4: Unscrew screws from the extrusion and remove side extrusion with side reflector.



Step 5: Unhook power wires to the LED board and unscrew the LED screws to remove the LED board.