

NATA NATAI

LED . INDIRECT



PART #:	
PREP BY:	DATE:
PROJECT:	
NOTES:	
APPROVAL SIGNATURE:	DATE (DD/MM/YYYY):

PERFORMANCE SUMMARY at 4000K	LIGHT LEVEL L1
Lumens	15506
Wattage	128.6
Efficacy	121
Color Rendering (CRI) ¹	80+
L70 Estimate (h)	> 60,000 hrs

¹ For CRI 90, please refer to Lumen Adjustment Factor chart below.

FEATURES

- Standard natatorium finish
- IP65 rated
- Suitable for highly humid and corrosive environments
- Efficacy up to 121 lm/W

ORDERING STEPS:	1. Complete ORDERING LOGIC.	2. Complete MOUNTING KITS on page 2.
------------------------	------------------------------------	---

1. ORDERING LOGIC

Example Part Number: NATAI-18L40K-NC-NW-L21-1-R-90-RKI

QTY	NATA I	1	2	3	4	5	6	7	8	9	10	11	12
-----	--------	---	---	---	---	---	---	---	---	---	----	----	----

1. MODEL / SIZE I Indirect Only		2. COLOR TEMP 18L30K 3000K 18L35K 3500K 18L40K 4000K 90 CRI is available under OPTIONS		3. OPTICS UP NC Nata Clear Lens		4. OPTICS DOWN — None (leave space empty)		5. FINISH NW Natatorium White NC Natatorium Custom Specify RAL:		6. LIGHT LEVEL / DRIVER L1 L2 L3 L2 & L3 drivers are remote. See "Light Level Performance at 4000K" chart below		
7. CIRCUITRY 1 1 Circuit		8. MOUNTING Select Mounting Kit in STEP 2.		9. VOLTAGE 1 120V 2 277V 3 347V 4 UNV (120-277V)		10. CONTROLS — None (leave space empty)		11. DRIVER LOCATION I Integral R Remote		12. OPTIONS 90 90 CRI, High R9 RK Retrofit Kit ** (Not UL approved) RKI Retrofit Kit Inverse Mount (90D / 10U) (Not UL approved) PI Pure Indirect — None (leave space empty) ** Fixture includes mounting bracket to adapt NATAI to existing AW7 arms. See pages 4-7 for more info.		

Light Level Performance at 4000K

Light Level	NATAI		
	Lumens	Wattage	Efficacy (LPW)
L1	15506	128.6	121
L2	26265	242	109
L3	39800	394	101

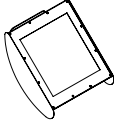
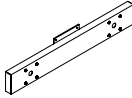
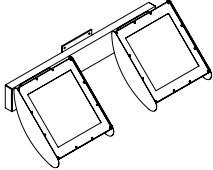
Lumen Adjustment Factor

Color Temp	80 CRI	90 CRI
3000K	0.953	0.846
3500K	0.969	0.848
4000K	1.000	0.852

2. MOUNTING KITS


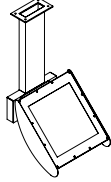
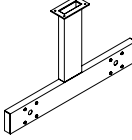
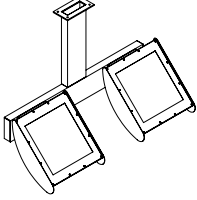
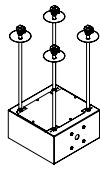
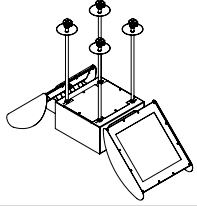
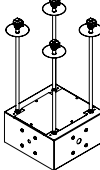
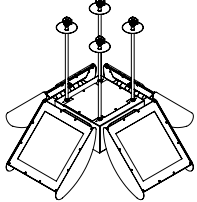
Wall Mount

	NATASW-I	
QTY	Single Wall (Integral Driver)	FINISH*
	NATASW-R	
QTY	Single Wall (Remote Driver)	FINISH*
	NATADW-I	
QTY	Double Wall (Integral Driver)	FINISH*
	NATADW-R	
QTY	Double Wall (Remote Driver)	FINISH*

Code	Mounting Kit	NATAI
SW Single Wall	Single wall mount included. Specify appropriate mounting kit for all other applications (Driver location is selected in Ordering Logic on page 1)	
DW Double Wall		

Pendant Mount

	NATASA-I		
QTY	Single Arm (Integral Driver)	Indicate arm length (max 5ft**)	FINISH*
	NATASA-R		
QTY	Single Arm (Remote Driver)	Indicate arm length (max 5ft**)	FINISH*
	NATADA-I		
QTY	Double Arm (Integral Driver)	Indicate arm length (max 5ft**)	FINISH*
	NATADA-R		
QTY	Double Arm (Remote Driver)	Indicate arm length (max 5ft**)	FINISH*
	NATADP-I		
QTY	Double Pendant (Integral Driver)	Indicate hanger length (max 5ft**)	FINISH*
	NATADP-R		
QTY	Double Pendant (Remote Driver)	Indicate hanger length (max 5ft**)	FINISH*
	NATAQP-I		
QTY	Quad Pendant (Integral Driver)	Indicate hanger length (max 5ft**)	FINISH*
	NATAQP-R		
QTY	Quad Pendant (Remote Driver)	Indicate hanger length (max 5ft**)	FINISH*

SA Single Arm Pendant		
DA Double Arm Pendant		
DP Double Pendant		
QP Quad Pendant		

* FINISH

NW Natatorium White
NC Natatorium Custom Specify RAL# _____

** Maximum length from ceiling surface to top of fixture. Custom lengths available upon request.

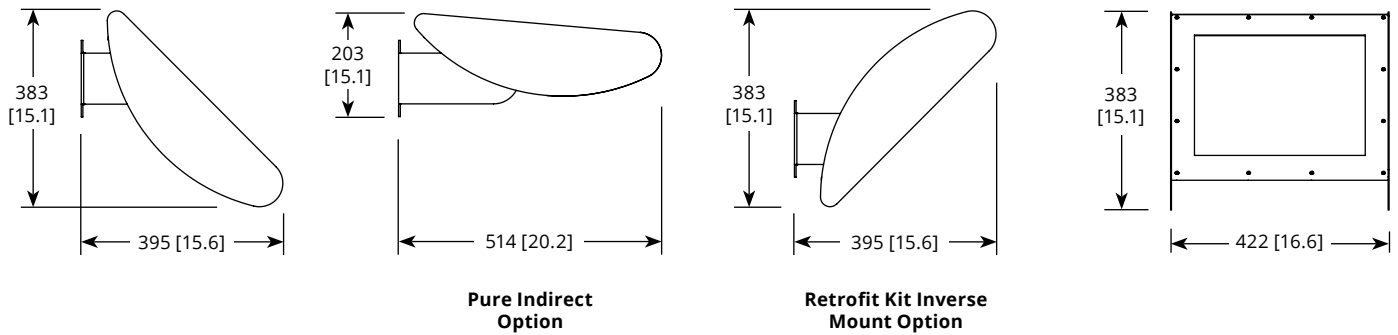
WIRING

Remote Driver Mounting Maximum Wire Length

Consult approval drawings for maximum remote mounting distances

Light Level	Drive Current (mA)	Wattage	Distance in feet / Wire Gauge					
			12 Ga.	14 Ga.	16 Ga.	18 Ga.	20 Ga.	22 Ga.
L1	2500	128	178	112	70	44	28	8
L2	4400	236	94	59	37	23	15	4
L3	3600/3600	470	84	53	33	21	13	4

CROSS SECTIONS



SPECIFICATIONS

Due to the Continuous Improvement Policy at Metalumen, we reserve the right to change our specifications without notice.

Housing: Fixture body is constructed using aluminum sheet, with 1.63mm (14 gauge aluminum sheet metal) nominal wall thickness.

Optical System: High flux, high efficacy, LED technology in conjunction with high efficiency reflectors and high transmittance lenses create controlled asymmetric distribution with comfortable low-glare illumination.

CRI: 80 minimum for all CCTs in standard configurations.

Lumen Maintenance: Reported L70 > 60,000 hrs at an ambient operating temperature of 35°C.

Finish: White paint with a coating suitable for natatoriums is standard. Custom natatorium finish also available.

Weight: See chart below.

Mounting: Standard hanger lengths are 2, 3, 4 and 5 ft. Consult factory for custom lengths. Pendant mounting is available with hangers in four options:

- single arm pendant
 - double arm pendant
 - double pendant mount
 - quad pendant mount
- Wall mounting is available in two options:

- single wall mount
- double wall mount

Electrical: 120 V or 277 V/347 V prewired. Standard drivers feature electronic universal voltage (120-277V, 347 V/50-60 Hz), greater than 0.9

power factor, less than 20% harmonic distortion, and ambient temperature range of 35°C (95°F) to minimum starting temp of -40°C (-40°F). Max amp draw @120V is 2.03Amps, @277V is 0.88Amps, @347V is 0.7Amps.

Approvals: This product is cULus listed. This product is not cULus listed when retrofitted.

Environment: Suitable for wet locations. IP65 rated.

NATAI WEIGHTS

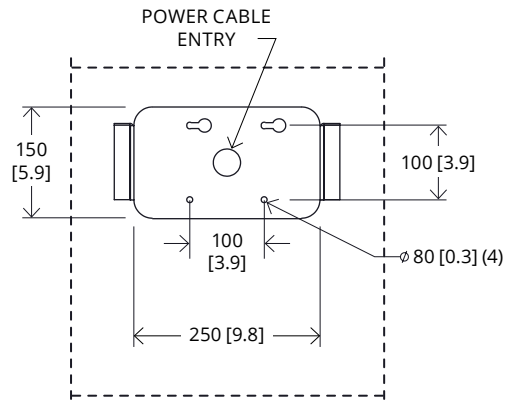
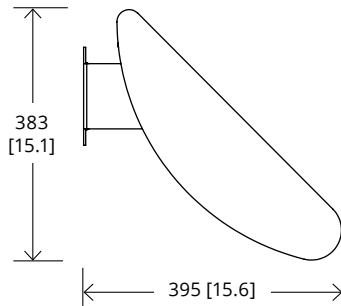
Fixture Type	Integral Fixture	Remote Fixture	Weight of brackets / hangers
Single Wall	6 kg [13.3lbs]	4 kg [8.8 lbs] (stand alone weight)	
Double Wall	16.8 kg [37.0 lbs]	12.8 kg [28.1 lbs]	4.8 kg [10.5 lbs]
Single Arm (max length 5 ft)	12.8 kg [28.2lbs]	10.8 kg [23.7 lbs]	6.75 kg [14.9 lbs]
Double Arm (max length 5 ft)	21.3kg [47.1 lbs]	17.3 kg [38.2 lbs]	9.3 kg [20.6 lbs]
Double Pendant (max length 5 ft)	22.2 kg [48.9 lbs]	18.2 kg [40.0 lbs]	10.2 kg [22.4 lbs]
Quad Pendant (max length 5 ft)	34.5 kg [76.2 lbs]	26.5 kg [58.4 lbs]	10.5 kg [23.1 lbs]

WARRANTY

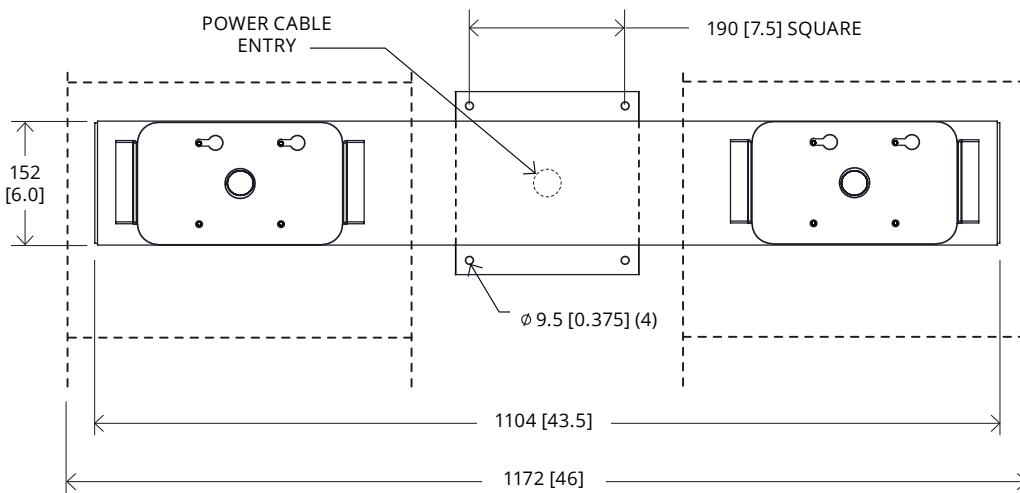
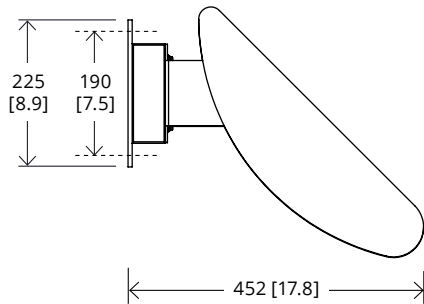
Metalumen will warrant defective luminaires for 5 years from date of purchase. Warranty is valid if luminaire is installed and used according to specification. If defective, Metalumen will send replacement boards or drivers at no cost along with detailed replacement instructions and instructions on how to return defective components to Metalumen.

MOUNTING ARRANGEMENTS - WALL

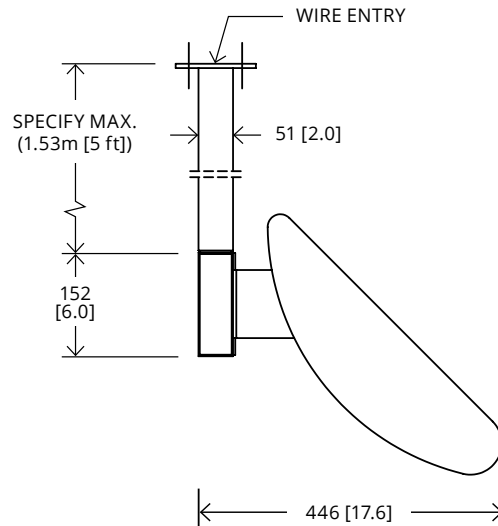
SW - Single Wall



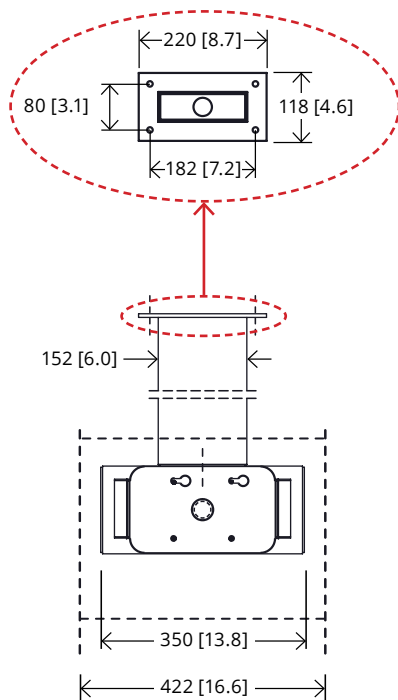
DW - Double Wall



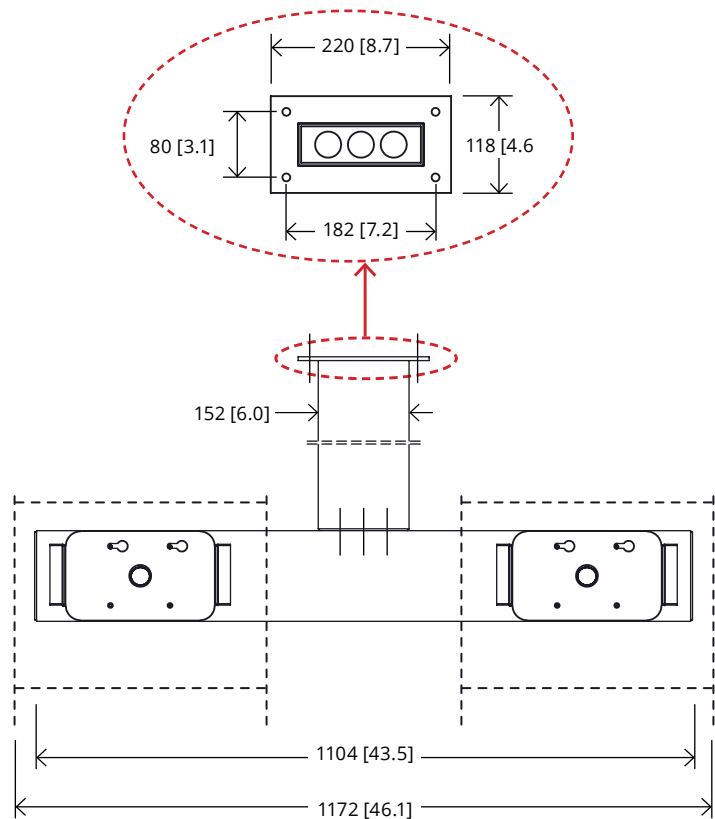
MOUNTING ARRANGEMENTS - PENDANT ARM



SA - Single Arm

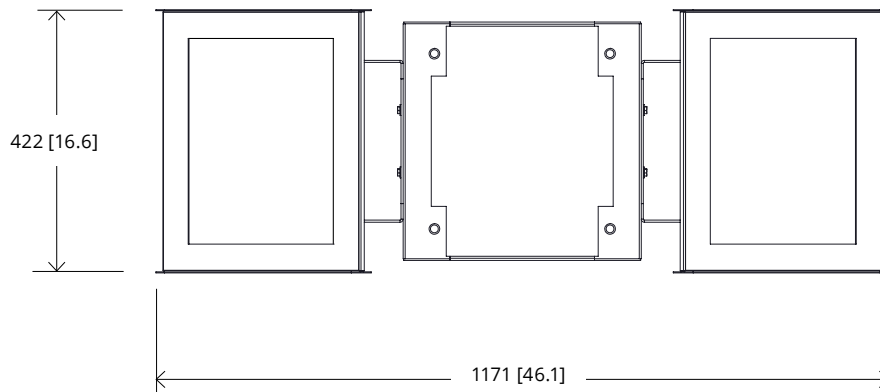
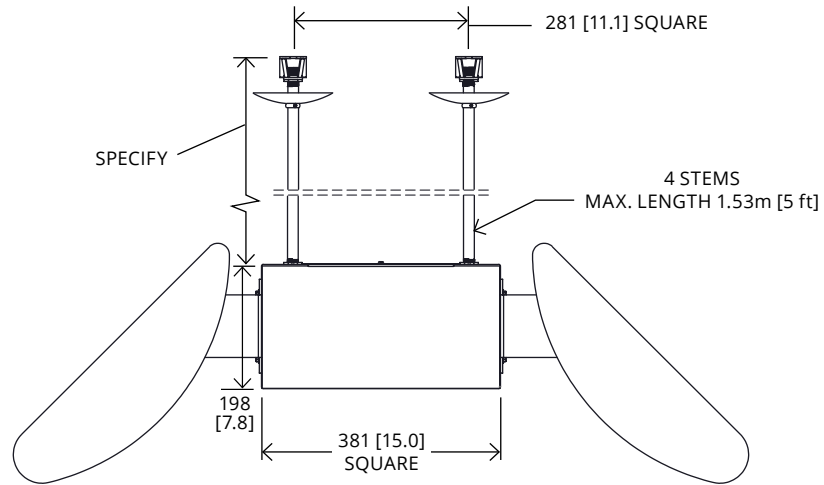


DA - Double Arm



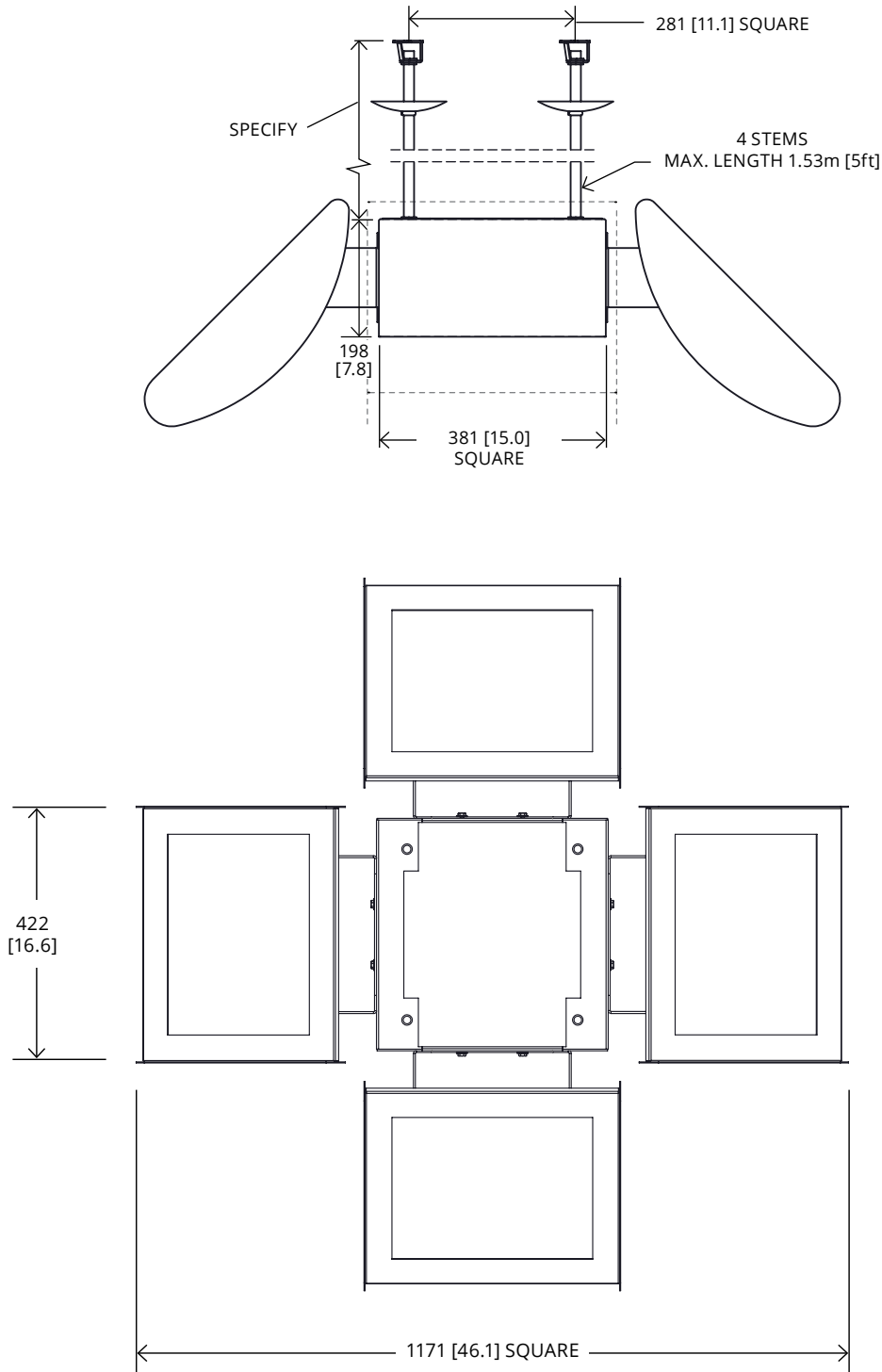
MOUNTING ARRANGEMENTS - PENDANT

DP - Double Pendant

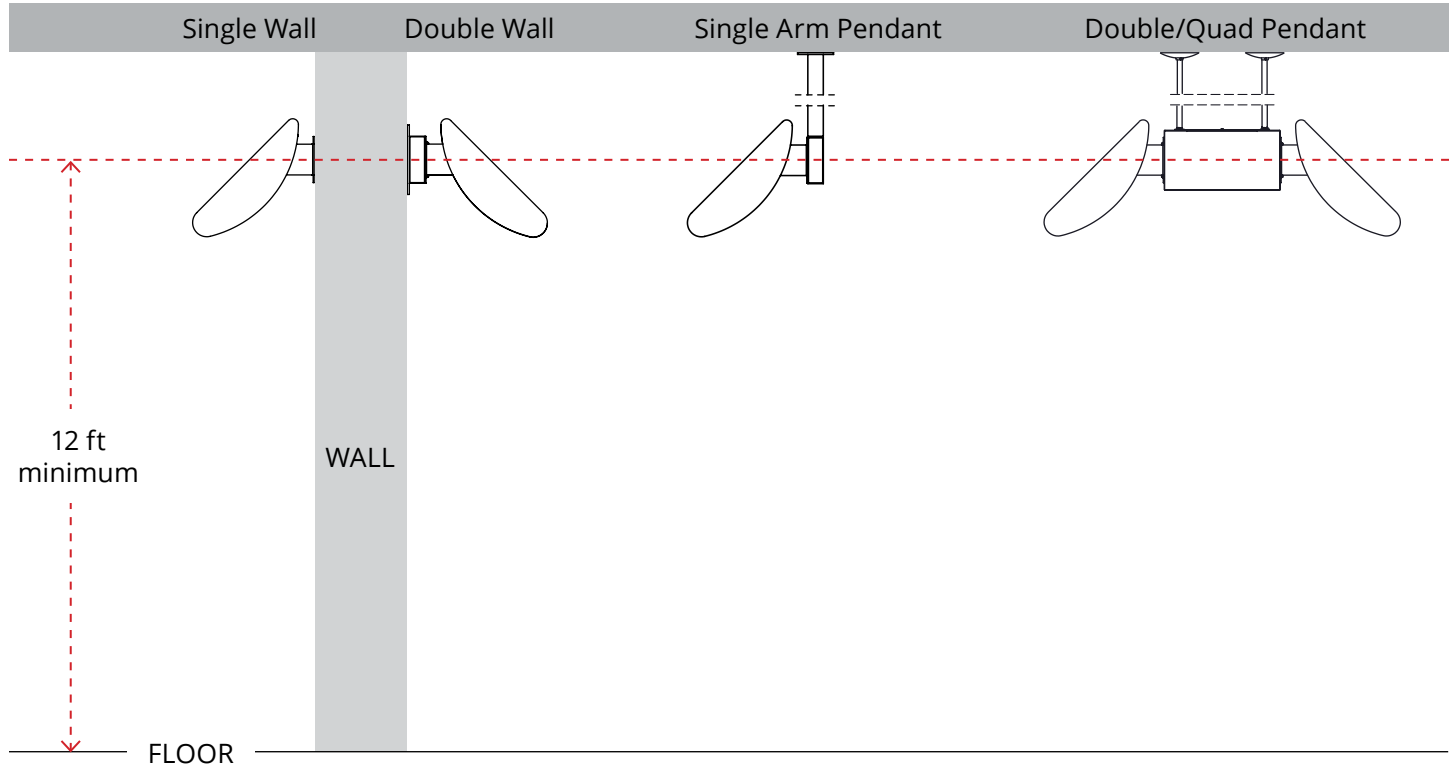


MOUNTING ARRANGEMENTS - PENDANT

QP - Quad Pendant



MOUNTING - MINIMUM DISTANCE FROM FLOOR



PHOTOMETRIC DATA - 4000K, 80 CRI

Optics: **Nata Clear Lens**
 IES File: **NATAI-18L40K-NC-L1**
 Lumens: **15506** Wattage: **129**
 Efficacy: **121**

ZONAL LUMEN SUMMARY

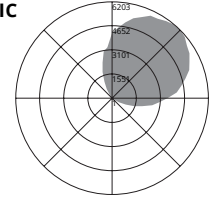
Zone	Lumens	%Fixt
0-90	1545	10
90-180	13971	90
0-180	15516	100

LUMINANCE DATA (CD/M2)

Vertical Angle	Horizontal Angle		
	0	45	90
45	3	0	0
55	798	34	0
65	4513	685	0
75	10079	2978	0
85	17364	6971	19

PHOTOMETRIC CURVE

90% Up
10% Down



Optics: **Nata Clear Lens**
 IES File: **NATAI-18L40K-NC-L2**
 Lumens: **26265** Wattage: **242**
 Efficacy: **109**

ZONAL LUMEN SUMMARY

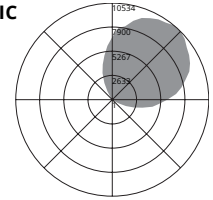
Zone	Lumens	%Fixt
0-90	2608	9.9
90-180	23672	90.1
0-180	26281	100

LUMINANCE DATA (CD/M2)

Vertical Angle	Horizontal Angle		
	0	45	90
45	9	0	0
55	1327	63	0
65	7687	1151	0
75	17137	4975	0
85	29442	11640	33

PHOTOMETRIC CURVE

90% Up
10% Down



Photometric performance is measured and scaled in accordance with IESNA LM-79.