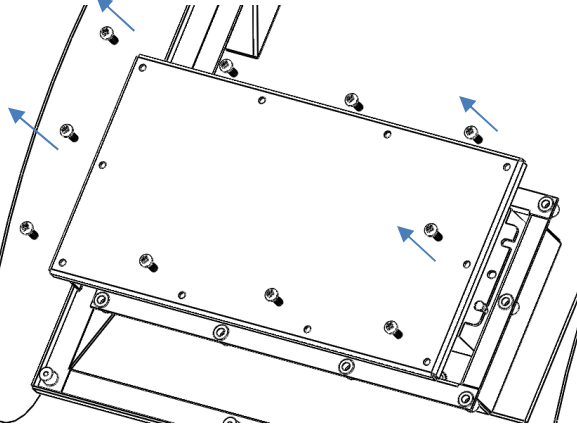


Step 3: For LED driver maintenance, loosen the screws that secure the driver box cover. Note that the driver box is found at the back of the fixture (integral) or in a remote location.



Step 4: Disconnect AC power and wire connections. Remove and service LED driver as required.

