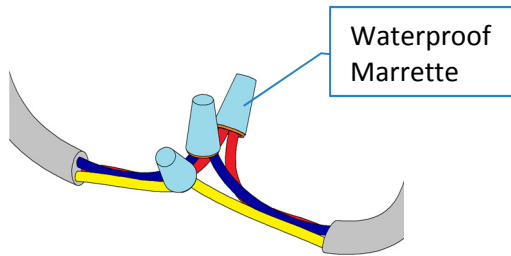
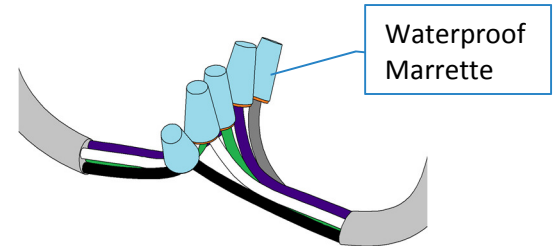


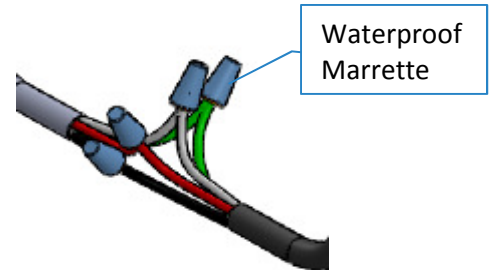
Step 7: Connect wires from the driver to the fixture using Waterproof Marrette (Supplied by Others) inside the driver box through Watertight BX-cable connector (Supplied by Others). Refer to wiring diagram (**Figure 2**).



Step 8: Connect wires from the driver to the control panel using Waterproof Marrette (Supplied by Others) inside the driver box. Refer to the wiring diagram (**Figure 1**) for dimming.



Refer to wiring diagram (**Figure 3**) for up/down switching.



MAINTENANCE STEPS

Required Tools:



PLASTIC / LATEX GLOVES



SCREWDRIVER

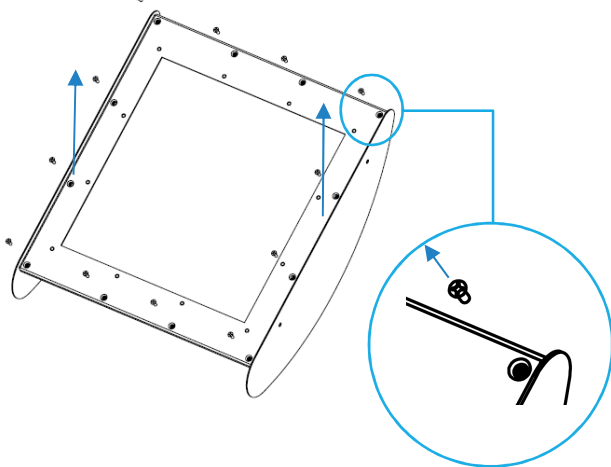
*Important: Use clean gloves to avoid adding oil/dirt to the optics.
Avoid scratching optics by using installation tools with soft plastic rounded edges.*

To Clean the Optics (from OUTSIDE ONLY):

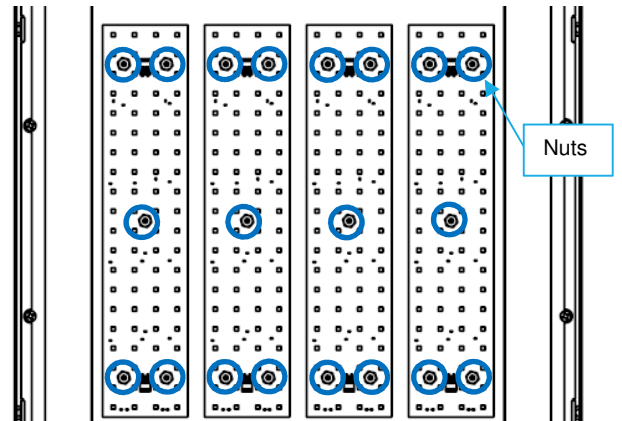
- Gently wipe down the optics with a clean, dry cloth to remove dust and any light residues.
- For heavier smudges, spray clean cloth with mild soap and water solution and gently wipe optics surface.

WARNING: DO NOT OPEN THE FIXTURE for cleaning purpose. Hard wiping and abrasive cloths will scratch the optics.
DO NOT USE cleaning products containing alcohol or acetone. They will damage the optics.

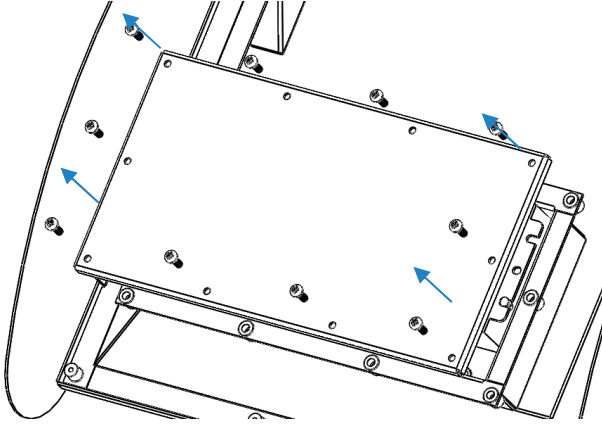
Step 1: For LED board maintenance, remove the door assembly by loosening the mounting screws.



Step 2: Disconnect wires from LED boards before removing them. Unscrew the nuts to remove the LED boards from the fixture.



Step 3: For LED driver maintenance, loosen the screws that secure the driver box cover. Note that the driver box is found at the back of the fixture (integral) or in a remote location.



Step 4: Disconnect AC power and wire connections. Remove and service the LED driver as required.

