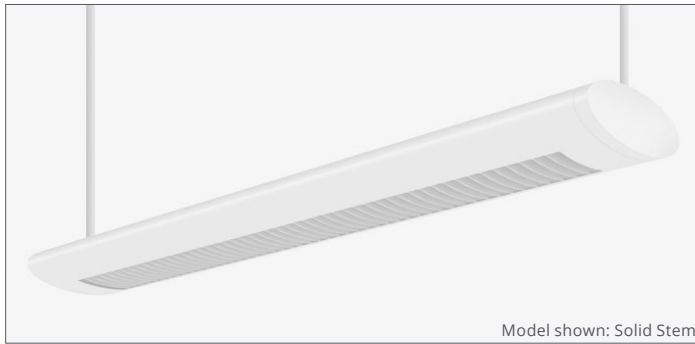


ORBIT O2DS

LED . PENDANT . DIRECT / INDIRECT



Model shown: Solid Stem

PART #:	
PREP BY:	DATE:
PROJECT:	
NOTES:	
APPROVAL SIGNATURE:	DATE (DD/MM/YYYY):

PERFORMANCE SUMMARY

		Open Top Solid Cross Blade Baffle w/ Opal Inlay
		L3
Lumens	80 CRI	5704
	90 CRI	4991
Wattage		48
Efficacy	80 CRI	119
	90 CRI	104
L70 Estimate (h)		≥ 60,000 hrs

See page 2 for the complete Light Level Performance chart.

FEATURES

- Efficacy up to 119 lm/W
- Option for daylight harvesting, occupancy sensing and dimming control
- 4', 8' lengths as well as continuous rows

ORDERING LOGIC

Example Part Number: O2DS-2L35K-8-P-SBO-W-L31-PA18-1

O2DS				SBO							
1	2	3	4	5	6	7	8	9	10	11	12
1. SERIES O2DS	2. COLOR TEMP 2L30K 3000K 2L35K 3500K 2L40K 4000K	3. LENGTH 4 4 ft 8 8 ft RA Continuous Rows (Consult factory)	4. OPTICS UP P Perforated C Clear Dust Cover Open Top (leave blank) _ (leave blank)	5. OPTICS DOWN SBO Solid Cross Blade Baffle w/ Opal Inlay	6. FINISH W White C Custom Finish Specify RAL:	7. LIGHT LEVEL / DRIVER L1 L2 L3 L4 Select Driver below. See Light Level Performance chart on p2.	8. CIRCUITRY 1 1 Circuit EM Emergency / Night Light B Emergency Battery Pack	9. MOUNTING PAA Pendant Aircraft Cable PTA Pendant Aircraft Cable for T-bar SSA Solid Stem Replace "A" with length (inches) selected below. Select Aircraft Cable / Solid Stem Length and Canopy Finish below	10. VOLTAGE 1 120V 2 277V 3 347V 4 UNV (120 - 277V)	11. CONTROLS D Daylight Sensor O Occupancy Sensor DO Daylight & Occupancy Sensor None (leave space empty) -	12. OPTIONS 90 90 CRI, High R9 _ None (leave space empty)

Select Driver:

- Factory option 0-10V, 1% Dimming
- LHE** Lutron H-Series Hi-lume 1% EcoSystem LED Driver
- LA2** Lutron A-Series Hi-lume 1% 2-wire LED Driver
- L5E** Lutron 5-Series EcoSystem LED Driver

Select Aircraft Cable Length:

Total adjustment range is 6" up & down for each standard length. All other lengths are considered custom unless otherwise stated.

Select:	Imperial (in)	Metric (mm)
<input type="checkbox"/>	12	305
<input type="checkbox"/>	18	460
<input type="checkbox"/>	24	610
<input type="checkbox"/>	30	760
<input type="checkbox"/>	36	915
<input type="checkbox"/>	42	1067
<input type="checkbox"/>	48	1220
<input type="checkbox"/>	Custom Length: _____	

Select:	Imperial (in)	Metric (mm)
<input type="checkbox"/>	54	1372
<input type="checkbox"/>	60	1525
<input type="checkbox"/>	72	1830
<input type="checkbox"/>	96	2440
<input type="checkbox"/>	120	3050
<input type="checkbox"/>	144	3660
<input type="checkbox"/>	Custom Length: _____	

Select Solid Stem Length - 1/2" OD Standard:

Standard supplied length is 18" (460mm). Hangers will be supplied at closest length. All other lengths are considered custom unless otherwise stated.

Select:	Imperial (in)	Metric (mm)
<input type="checkbox"/>	12	305
<input type="checkbox"/>	15	380
<input type="checkbox"/>	18	460
<input type="checkbox"/>	21	533
<input type="checkbox"/>	24	610
<input type="checkbox"/>	27	685
<input type="checkbox"/>	30	760
<input type="checkbox"/>	Custom Length (in inches): _____	

Select:	Imperial (in)	Metric (mm)
<input type="checkbox"/>	33	840
<input type="checkbox"/>	36	915
<input type="checkbox"/>	39	990
<input type="checkbox"/>	42	1067
<input type="checkbox"/>	45	1145
<input type="checkbox"/>	48	1220
<input type="checkbox"/>	Custom Length (in inches): _____	

Select Canopy Finish

Canopy
<input type="checkbox"/> White
<input type="checkbox"/> Custom Finish
RAL: _____

Light Level Performance

3500K, 80 CRI, 0-10V Dimming (Standard)

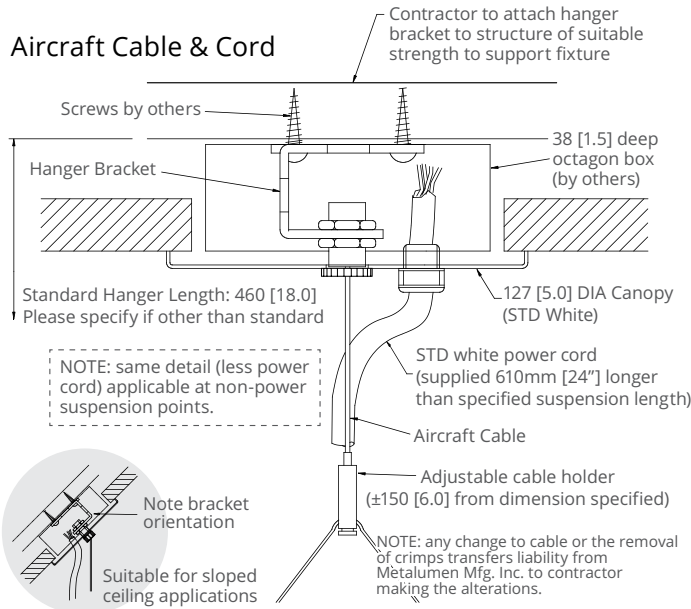
Light Level	Open Top Solid Cross Blade Baffle w/ Opal Inlay		
	Lumens	Wattage	Efficacy (lm/W)
L1	3123	27	114
L2	3983	35	114
L3	5704	48	119
L4	10932	96	114

Lumen Adjustment Factor (Standard)

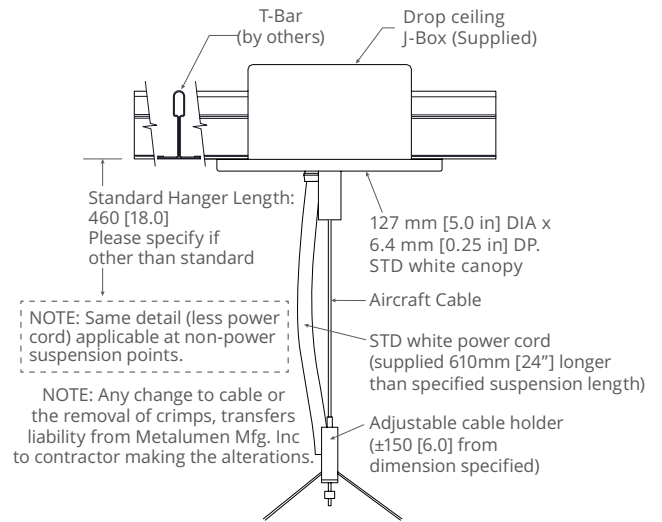
Color Temp	80 CRI	90 CRI
3000K	0.984	0.880
3500K	1.000	0.875
4000K	1.032	0.879

HANGER

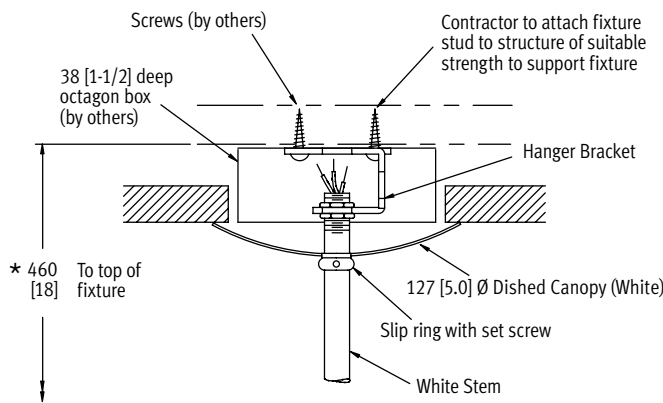
Aircraft Cable & Cord



T-Bar Aircraft Cable & Cord



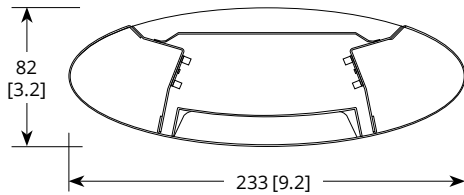
Solid Stem



WIRING

Standard Wiring	Emergency Wiring	Emergency Battery Pack Wiring

CROSS SECTIONS



SPECIFICATIONS

Due to the Continuous Improvement Policy at Metalumen, we reserve the right to change our specifications without notice.

Housing: Precision-formed 22 gauge steel bodies with die cast end-caps allow optimal performance dust covers keeps fixtures and lamps clean.
Optical System: Metalumen luminaires are designed to utilize leading edge LED technology combined with luminaire optimized reflectors and our custom diffusers, resulting in industry leading optical performance.
CRI: 83+ for 3500K, 80 minimum for all

CCTs in standard configurations.
Lumen Maintenance: Minimum 50,000h with TM-21 lumen maintenance of 85% @ 25°C ambient temperature (calculated based on IESNA LM-80-08 LED test data). L70: ≥60,000hrs.
Finish: White is the standard finish. For custom finish, contact factory.
Weight: 2.1 kg/300 mm [4.6 lb/ft]
Mounting: Aircraft cable yoke complete with a Quick-Grip field

adjustable suspension system provides for quick and easy onsite alignment.
 Solid stem 13mm (1/2") OD.
 Factory prewired with easy wire quick connect sections.
Electrical: Factory prewired with easy wire quick connect sections.
Drivers: Metalumen offers 0-10V dimming* as a standard on our entire LED product offering. Dimming range is 1%-100%. Power factor is > 90%. Class

2 rating. Drivers are integral.
Approvals: All components are UL/ CSA/QPS recognized or listed. RoHS compliant.
Environment: Suitable for dry locations.

**Standard drivers compatible with passive/ sinking dimmers. Please contact Metalumen if active/sourcing dimmer support is required.*

WARRANTY

Metalumen will warrant defective luminaires for 5 years from date of purchase. Warranty is valid if luminaire is installed and used according to specification. If defective, Metalumen will send replacement boards or drivers at no cost along with detailed replacement instructions and instructions on how to return defective components to Metalumen.

PHOTOMETRIC DATA - 3500K, 80 CRI

Optics Up: **Open top**
 Optics Down: **Solid cross blade baffle w/ opal inlay**
 IES File: **O2DS-2L35K-4-SBO-L3**
 Lumens: **5704** Wattage: **48**
 Efficacy: **119 lm/W**

ZONAL LUMEN SUMMARY

Zone	Lumens	%Fixt
0-90	2649	46.4
90-180	3055	53.6
0-180	5704	100

LUMINANCE DATA (CD/M2)

Vertical Angle	Horizontal Angle		
	0	45	90
45	5769	7729	12118
55	5361	7657	13953
65	4843	5940	12168
75	4160	3806	5515
85	3756	2796	2687

PHOTOMETRIC CURVE

46% Up
 54% Down

