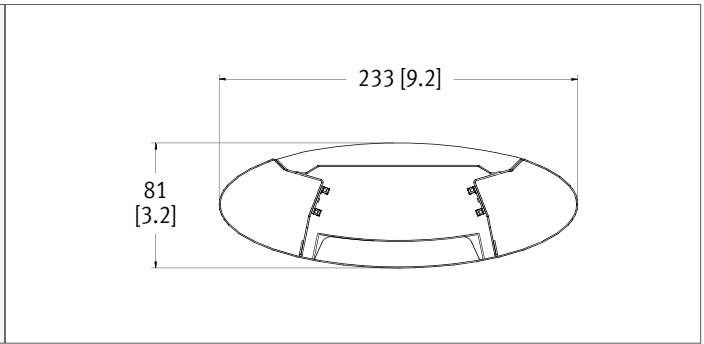


# ORBIT II O2DS

LED . DIRECT / INDIRECT



PART #:	
PREP BY:	DATE:
PROJECT:	QTY:
NOTES:	
APPROVAL SIGNATURE:	DATE (DD/MM/YYYY):



## ORDERING LOGIC

Example Part Number: O2DS-2L35K-4-P-SBO-W-L3-1-PA18-1

O2DS			SBO								
1	2	3	4	5	6	7	8	9	10	11	12
1. SERIES <b>O2DS</b>	2. COLOR TEMP <b>2L30K</b> 3000K <b>2L35K</b> 3500K <b>2L40K</b> 4000K		3. LENGTH <b>4</b> 4 ft <b>8</b> 8 ft <b>RA</b> Continuous Rows Replace "A" with length in feet		4. OPTICS UP <b>P</b> Perforated <b>C</b> Clear Dust Cover - Open Top (Leave space empty)		5. OPTICS DOWN <b>SBO</b> Solid Cross Blade Baffle w/ Opal Inlay			6. FINISH <b>W</b> White <b>C</b> Custom Finish Specify RAL:	
7. LIGHT LEVEL / DRIVER <b>L1</b> 3123 lm <b>L2</b> 3983 lm <b>L3</b> 5704 lm <b>L4</b> 10932 lm		8. CIRCUITRY <b>1</b> 1 Circuit <b>EM</b> Emergency/Night Light <b>B</b> Emergency Battery Pack		9. MOUNTING <b>PAA</b> Pendant Aircraft Cable <b>PTA</b> Pendant Aircraft Cable for T-bar <b>SSA</b> Solid Stem Replace "A" with length (inches) selected below. Select Hanger Length and Hanger Finish below			10. VOLTAGE <b>1</b> 120V <b>2</b> 277V <b>3</b> 347V <b>4</b> UNV (120 - 277V)		11. CONTROLS / SENSORS <b>D</b> Daylight Sensor <b>O</b> Occupancy Sensor <b>DO</b> Daylight/Occupancy Sensor - None (leave space empty)		

- Select Driver:
- Factory option 0-10V, 1% Dimming
  - LHE** Lutron H-Series Hi-lume 1% EcoSystem LED Driver
  - L5E** Lutron 5-Series EcoSystem LED Driver

Select Hanger Length:

SOLID STEM 1/2" OD Standard		
Standard supplied length is 18" (460mm) Hangers will be supplied at closest length. All other lengths are considered custom unless otherwise stated.		
Select:	Imperial (in)	Metric (mm)
<input type="checkbox"/>	12	305
<input type="checkbox"/>	15	380
<input type="checkbox"/>	18	460
<input type="checkbox"/>	21	533
<input type="checkbox"/>	24	610
<input type="checkbox"/>	27	685
<input type="checkbox"/>	30	760
<input type="checkbox"/>	33	840
<input type="checkbox"/>	36	915
<input type="checkbox"/>	39	990
<input type="checkbox"/>	42	1067
<input type="checkbox"/>	45	1145
<input type="checkbox"/>	48	1220
<input type="checkbox"/>	Custom Length:	_____

AIRCRAFT CABLE		
Total adjustment range is 6" up & down for each standard length. All other lengths are considered custom unless otherwise stated. If no selection is made, 48" will be supplied.		
Select:	Imperial (in)	Metric (mm)
<input type="checkbox"/>	12	305
<input type="checkbox"/>	18	460
<input type="checkbox"/>	24	610
<input type="checkbox"/>	30	760
<input type="checkbox"/>	36	915
<input type="checkbox"/>	42	1067
<input type="checkbox"/>	48	1220
<input type="checkbox"/>	54	1372
<input type="checkbox"/>	60	1525
<input type="checkbox"/>	72	1830
<input type="checkbox"/>	96	2440
<input type="checkbox"/>	120	3050
<input type="checkbox"/>	144	3660
<input type="checkbox"/>	Custom Length:	_____

Select Canopy Finish:

Select:	Canopy
<input type="checkbox"/>	White Paint (Standard)
<input type="checkbox"/>	Custom Finish
	RAL: _____

### Light Level Performance

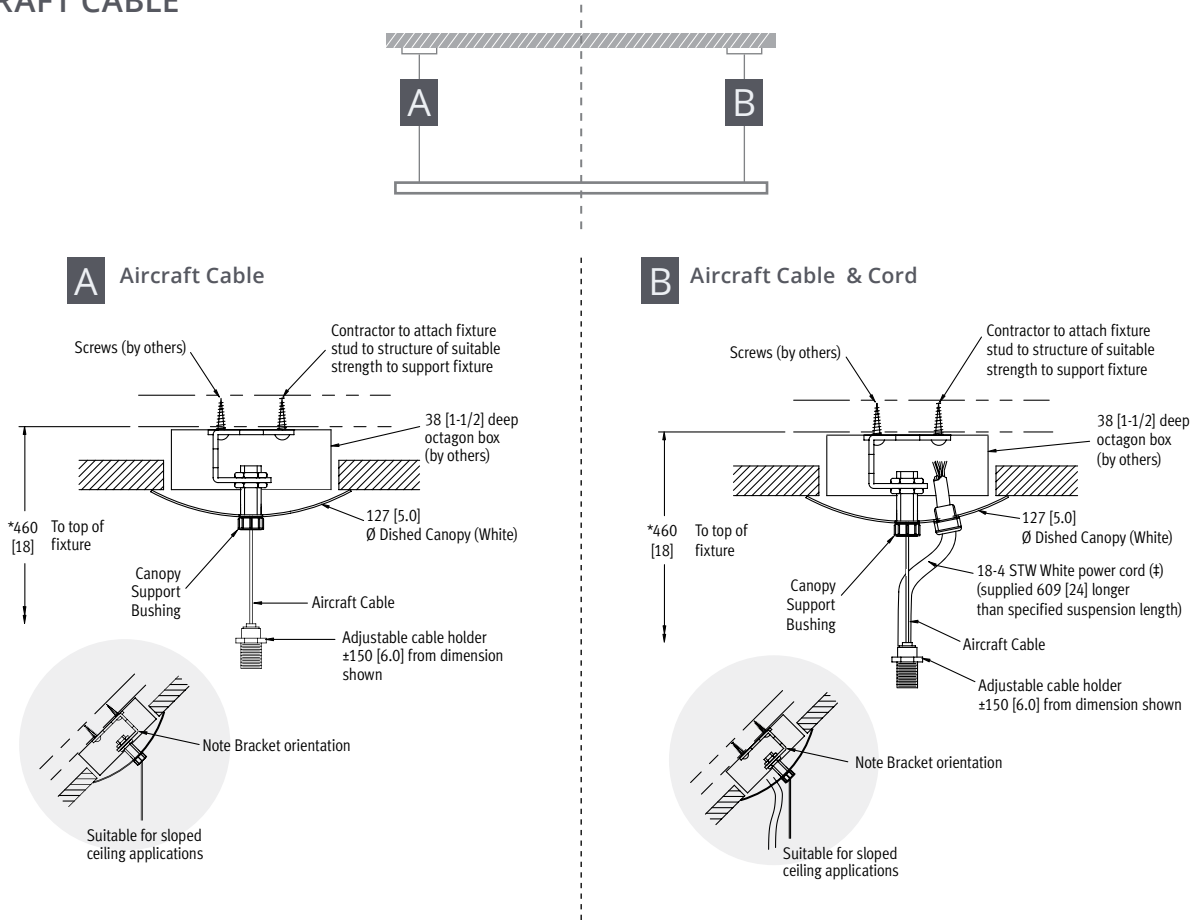
Light Level	Lumens	Wattage	Efficacy (LPW)
L1	3123	27	114
L2	3983	35	114
L3	5704	48	119
L4	10932	96	114

Color Temp	80 CRI	90 CRI
3000K	0.984	0.880
3500K	1.000	0.875
4000K	1.032	0.879

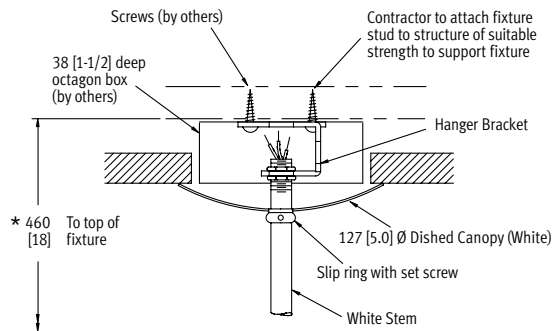
Metalumen's light level performance metrics are subject to manufacturers component tolerances.

### HANGER INFORMATION

#### AIRCRAFT CABLE



#### SOLID STEM



## SPECIFICATIONS

Due to the Continuous Improvement Policy at Metalumen, we reserve the right to change our specifications without notice.

**Housing:** Precision-formed 22 gauge steel bodies with die cast end-caps allow optimal performance dust covers keeps fixtures and lamps clean.  
**Optical System:** Metalumen luminaires are designed to utilize leading edge LED technology combined with luminaire optimized reflectors and our custom diffusers, resulting in industry leading optical performance.

**CRI:** 83+ for 3500K, 80 minimum for all CCTs in standard configurations.  
**Lumen Maintenance:** Minimum 50,000h with TM-21 lumen maintenance of 85% @ 25°C ambient temperature (calculated based on IESNA LM-80-08 LED test data). L70: ≥60,000hrs.  
**Finish:** White is the standard finish. For custom finish, contact factory.  
**Weight:** 2.1 kg/300 mm [4.6 lb/ft]

**Mounting:** Aircraft cable yoke complete with a Quick-Grip field adjustable suspension system provides for quick and easy onsite alignment.  
**Electrical:** Factory prewired with easy wire quick connect sections.  
**Drivers:** Metalumen offers 0-10V dimming\* as a standard on our entire LED product offering. Dimming range is 1%-100%. Power factor is > 90%.

Class 2 rating.  
**Approvals:** All components are UL Recognized or Listed. RoHS compliant. cULus listed.  
**Environment:** Suitable for dry locations.

*\*Standard drivers compatible with passive/sinking dimmers. Please contact Metalumen if active/sourcing dimmer support is required.*

## WARRANTY

Metalumen will warrant defective luminaires for 5 years from date of purchase. Warranty is valid if luminaire is installed and used according to specification. If defective, Metalumen will send replacement boards or drivers at no cost along with detailed replacement instructions and instructions on how to return defective components to Metalumen.

## PHOTOMETRIC DATA - 3500K, 80 CRI

Optics Up: **Open Top**  
 Optics Down: **Solid Cross Blad Baffle with Opal Inlay**  
 IES File: **O2DS-2L35K-4-SBO-L3**  
 Lumens: **5704** Wattage: **48**  
 Efficacy: **119 LPW**

### ZONAL LUMEN SUMMARY

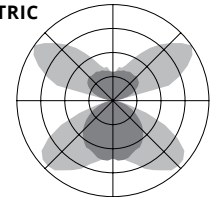
Zone	Lumens	%Fixt
0-90	2636	46
90-180	3066	54
0-180	5702	100

### LUMINANCE DATA (CD/M2)

Vertical Angle	Horizontal Angle		
	0	45	90
45	5771	7732	12123
55	5364	7660	13958
65	4845	5943	12174
75	4162	3808	5518
85	3757	2797	2688

### PHOTOMETRIC CURVE

46% Up  
 54% Down



Photometric performance is measured and scaled in accordance with IESNA LM-79.